

Installation Instructions

PH15 15-Ton Pintle Hook

Capacity

6,000 lbs. Maximum vertical load
30,000 lbs. Maximum gross trailer weight

⚠ WARNING

Maintain adequate vertical (tongue) load to properly control the trailer (generally 10%) but do not exceed the above rated capacities.

Towing Applications

Trailers and equipment designed for over-the-road towing within the stated capacities. For off-road applications, reduce the capacities listed above by 25% and use in conjunction with a swivel-type drawbar.

Drawbar Eye Dimension

2" to 3" I.D. with 1-1/4" to 1-5/8" diameter section

Mounting

1. Use a secure mounting structure of sufficient strength to support the rated capacity of the pintle hook in accordance with S.A.E. J 849B.
2. Use the hole pattern template supplied with the pintle hook.
3. Use four 1/2" grade 8 bolts torque to 100 lb.-ft.

Operating Instructions

1. Before operating, inspect for proper operation, worn, damaged or missing parts and secure mounting. Correct as required before use.
2. Open latch by removing safety pin and lifting lock.
3. Position drawbar eye over the horn of the pintle and lower into place.
4. Push latch closed and insert safety pin, secure pin with spring retainer.

⚠ WARNING

Do not damage the latch. Be particularly careful with the drawbar when coupling and uncoupling



⚠ WARNING

Other steps and inspections are also required. Consult DOT regulations and American Trucking Association for complete coupling and uncoupling procedures.

Maintenance

For proper performance, perform the following every 3,000 miles or 3 months, whichever comes first:

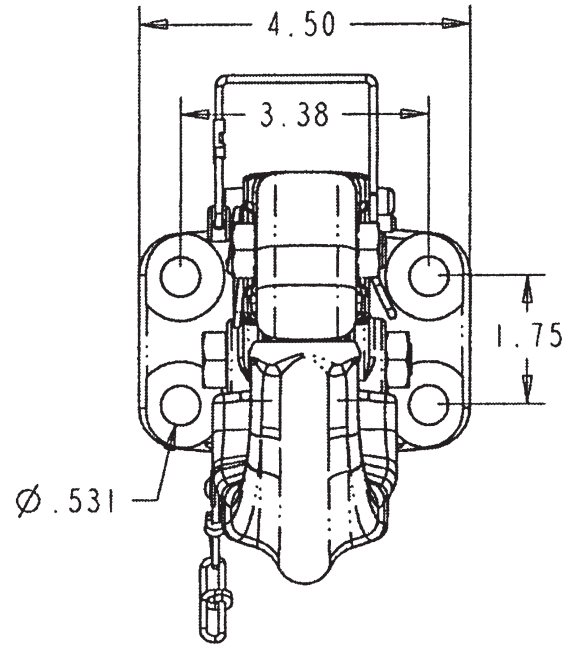
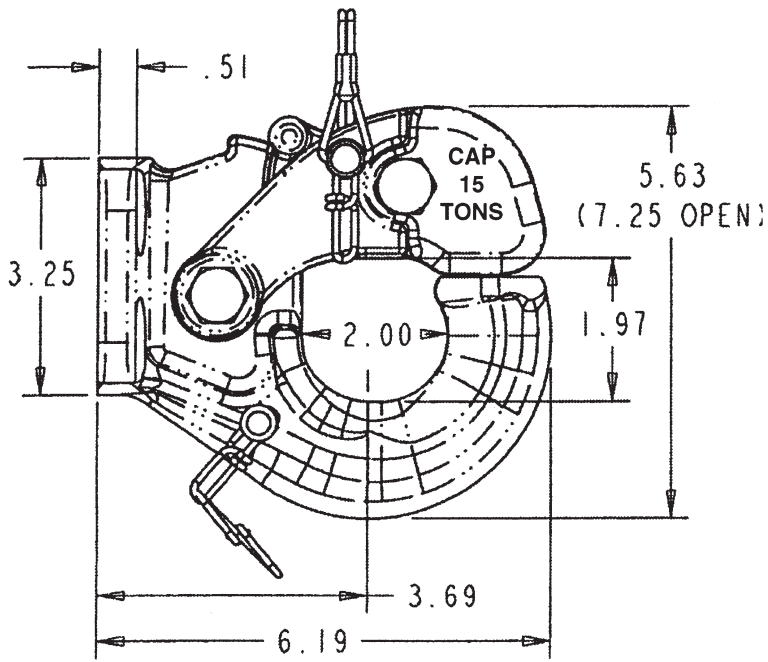
1. Clean and inspect for proper operation.
2. Inspect, in particular, the coupling area. Replace when wear exceeds 1/8" (.125") from the original surface profile.
3. Inspect for worn, damaged or missing parts. Replace as required.
4. Regularly lubricate latch and lock pivots with a light oil lubricant.
5. Check mounting bolts for proper torque.

General Information

1. Do not modify or add to the product.
2. Do not weld on this product

⚠ WARNING

It is the user's responsibility to be sure that the pintle hook mounting surface is capable of 6,000 lbs. vertical load and 30,000 lbs. gross trailer weight.



All dimensions shown are nominal

