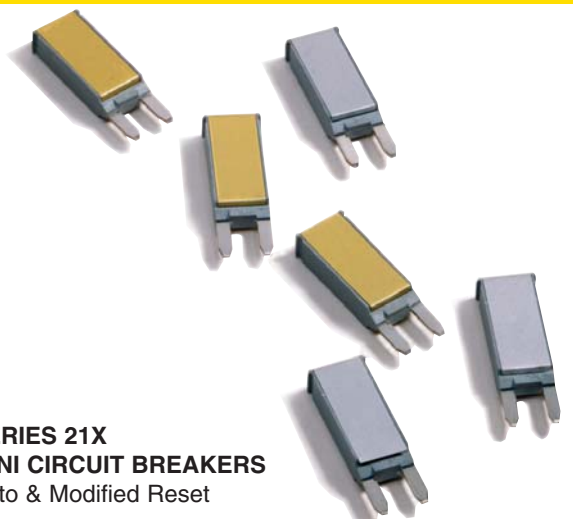


# SERIES 21X MINI CIRCUIT BREAKERS

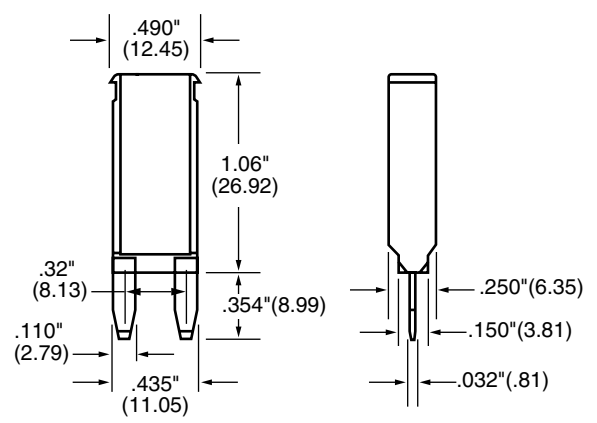


**SERIES 21X  
MINI CIRCUIT BREAKERS**  
Auto & Modified Reset

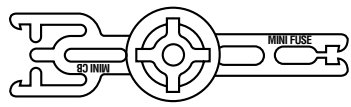
## SPECIFICATIONS

**Single Pole Thermal Type Breakers**  
**Rating:** 5-30A; 14VDC.  
**Interrupt Rating:** 150A @ 14VDC (5-10A versions); 225A @ 14VDC (15A version); 300A @ 14VDC (20A version); 450A @ 14VDC (25-30A versions).  
**Operating Temperature Rating:** -40°F (-40°C) to 185°F (85°C).  
**Storage Temperature Rating:** -40°F (-40°C) to 260°F (125°C).  
**Materials:** Grey UL-Rated 94V-0 thermoplastic housing with metal cover: gold (Type I) or silver (Type II).  
**Marking:** Standard marking includes amp/voltage ratings, part number, and date code. OCR marking is available.  
**Termination:** Compatible with 280 Type fuse blocks using 0.32in. (8.1mm) centerline spacing.  
**Compliances:** SAE J553 Type I and Type II Circuit Breakers.

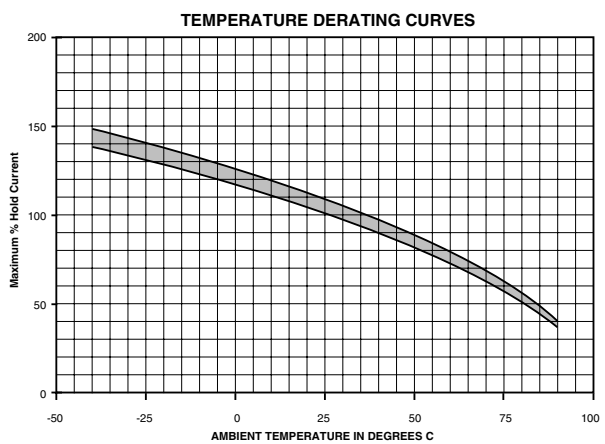
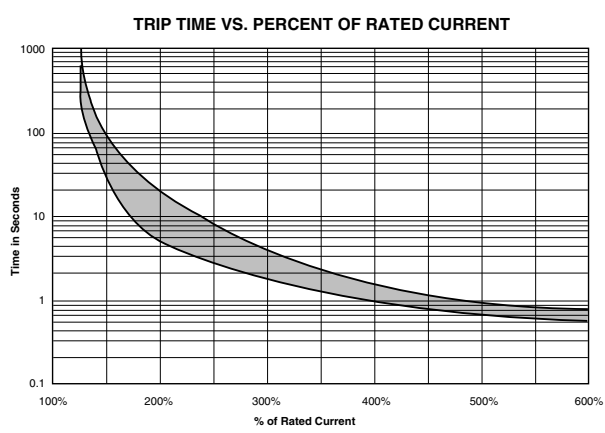
## DIMENSIONS (Dims. shown are for reference only. Consult factory for latest prints)



## MINI FUSE PULLER - PART NUMBER 32002



See page 27 for more information.



## PART NUMBERING SYSTEM

Series	Rating	Marking	Special Options
211 - Type I, 14VDC 212 - Type II, 14VDC	05 - 5 amps 75 - 7.5 amps 10 - 10 amps 15 - 15 amps 20 - 20 amps 25 - 25 amps 30 - 30 amps	00 - Std. Marking (Consult Factory for Special Marking Options)	(Consult Factory for Special Options)