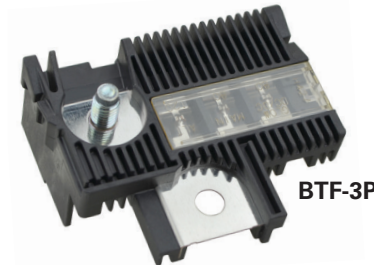
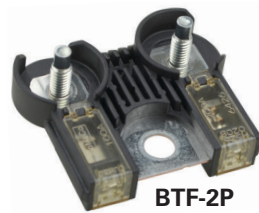
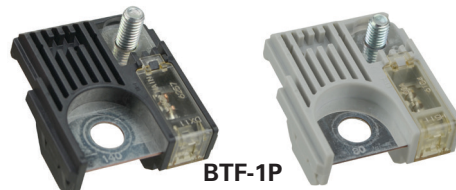


BTF multi-pole battery terminal fuses



Catalog symbols:

- BTF-1P-__
- BTF-2P-__
- BTF-3P-__
- BTF-5P-__

Description:

Eaton Bussmann™ series BTF battery terminal fuses contain one or more fuse elements of differing amp ratings for protecting circuits in a single fuse holder that's mounted directly on the battery's terminal.

Their function is to protect the conductors and not the devices on the circuit(s).

They are the OEM equivalent to those part numbers used on popular models of Chrysler, Ford, Lexus, Lincoln, Mercury, Mitsubishi, Nissan, Scion, Subaru, Suzuki, and Toyota vehicles since 2001.

Specifications:

Ratings

- Volts: 32 Vdc
- Amps:
 - See catalog number table for ratings by catalog number
- Interrupting rating: 1 kA

Agency information

- ISO 8820-4
- JASO D612-4
- RoHS compliant

Terminals

- M6 stud (BTF-1P-__ and BTF-2P-__)
- M8 stud and OEM connector (BTF-3P-__ and BTF-5P-__)

Materials

- Element: Copper alloy
- Body: PS-S-GF35
- Cover: PES

Environmental

- Operating temperature range -40°C to 120°C (-40°F to 248°F)

Dimensions

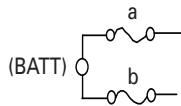
- See page 3

Applications:

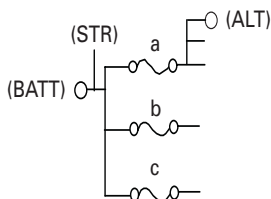
- Replacement fuses for automotive OEM part numbers

Catalog no.	OEM part no.	Vehicle make	Amps	Volts	Interrupting rating	Schematic
BTF-1P-80	82211AG150 3673-950J00	Subaru Suzuki	80			
BTF-1P-100	MN164187 3673-952J00	Mitsubishi Suzuki	100			
BTF-1P-120	MN164188 3673-966J00	Mitsubishi Suzuki	120			
BTF-1P-140	82620-33040 24380-JA70A	Lexus, Scion, Toyota Nissan	140			
BTF-2P-180120	68164797-AA	Chrysler	180, 120			
BTF-2P-200100	BR3Z-14526-AA AE5Z-14526-BA	Ford Ford, Lincoln, Mercury	200, 100	32 Vdc	1 kA	A
BTF-2P-250125	AL3Z-14526-AA	Ford	250, 125			
BTF-3P-1206080	82620-52080A	Scion, Toyota	120, 60, 80			B
BTF-3P-1208080	82620-52060A		120, 80, 80			
BTF-5P-1010868	24380-79910	Nissan	100, 100, 80, 60, 80			
BTF-5P-1210868	24380-79912		120, 100, 80, 60, 80			C
BTF-5P-141010108	24380-7994A		140, 100, 100, 100, 80			
BTF-5P-25010888	24380-79918		250, 100, 80, 80, 80			
BTF-5P-225106108	24380-79919		225, 100, 60, 100, 80			D

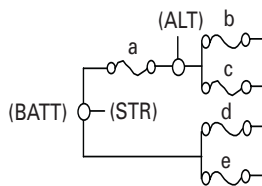
Schematics



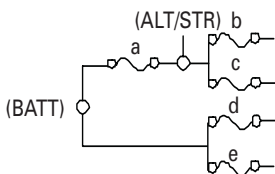
Schematic A



Schematic B



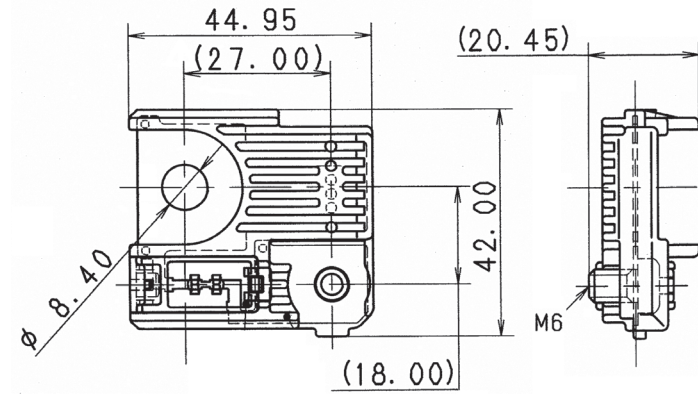
Schematic C



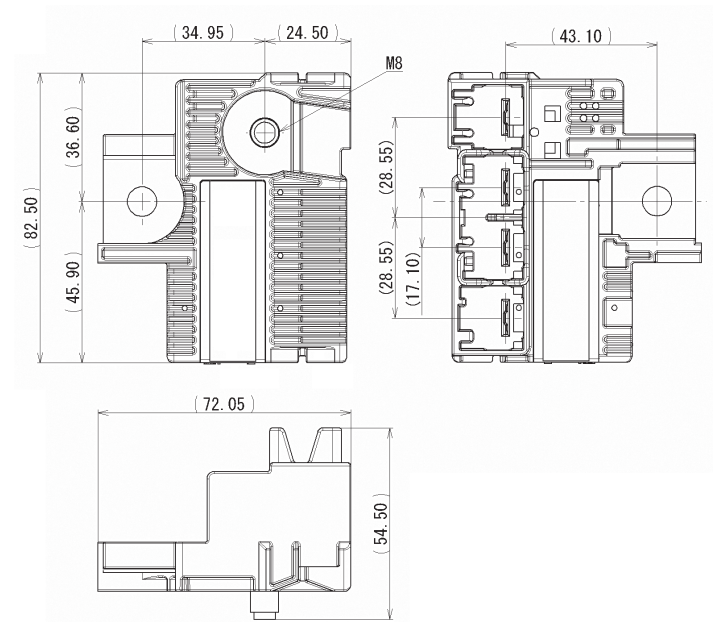
Schematic D

Dimensions - mm

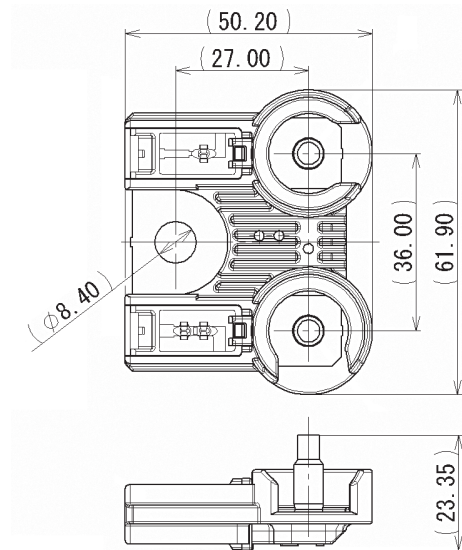
BTF-1P



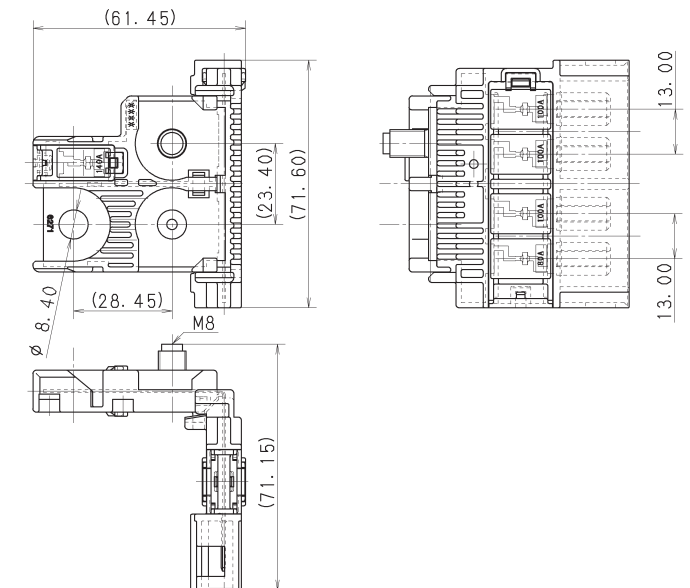
BTF-3P



BTF-2P



BTF-5P





OEM equivalent parts when and where your customers need them



Bussmann series battery terminal fuses offer service technicians and DIYers a convenient, alternative source to new car dealerships and online websites.

Bussmann™ series battery terminal fuses (BTF) are original equipment equivalents to those installed in popular Chrysler®, Ford®, Lexus®, Lincoln®, Mercury®, Mitsubishi®, Nissan®, Scion®, Subaru®, Suzuki® and Toyota® vehicles.

This portfolio of products allows you to sell fuses that were, up until now, primarily available only through dealerships and online parts retailers.

These unique fuses feature 1-, 2-, 3- or 5-pole circuit protection of varying amp ratings, in a single fuse holder. BTFs protect the wires coming off the battery that route to their respective devices.

BTFs cover high current circuit ranges from 80 to 250 amps at 32 volts. With an operating temperature range from -40°C to 120°C (-40°F to 248°F), they withstand high, under-hood temperatures and meet ISO8820-4 and JASO D612-4 standards for automotive fuses.

Stock and sell BTF fuses to provide service technicians and DIYers a convenient alternative to waiting in line at a dealership or waiting for an online order to ship.

Features

- Custom over-mold construction is tailored to adapt to the constraints of a crowded engine compartment and provide the necessary isolation of live parts.
- The packaging of 1-, 2-, 3- or 5-pole high amp fuses in a single fuse holder reduces the weight, size, and cost by eliminating the need for separate fuses and fuse holders.
- Clear cover shows fuse element status at a glance.
- Covers have circuit amp ratings molded in for clear identification of circuit amp rating.
- Fuses are packed in individual pack quantities for convenient retail selling and may be ordered as single units for easy inventory management.

OEM cross reference data

Bussmann series catalog number	OEM part number	Vehicle make	Fuse circuit amp rating(s)	Volts interrupting rating
BTF-1P-80	82211AG150	Subaru	80	32 Vdc, 1 kA
	3673-950J00	Suzuki	80	32 Vdc, 1 kA
BTF-1P-100	MN164187	Mitsubishi	100	32 Vdc, 1 kA
	3673-952J00	Suzuki	100	32 Vdc, 1 kA
BTF-1P-120	MN164188	Mitsubishi	120	32 Vdc, 1 kA
	3673-966J00	Suzuki	120	32 Vdc, 1 kA
BTF-1P-140	82620-33040	Lexus, Scion, Toyota	140	32 Vdc, 1 kA
	24380-JA70A	Nissan	140	32 Vdc, 1 kA
BTF-2P-180120	68164797-AA	Chrysler	180, 120	32 Vdc, 1 kA
BTF-2P-200100	BR3Z-14526-AA	Ford	200, 100	32 Vdc, 1 kA
	AE5Z-14526-BA	Ford, Lincoln, Mercury	200, 100	32 Vdc, 1 kA
BTF-2P-250125	AL3Z-14526-AA	Ford	250, 125	32 Vdc, 1 kA
BTF-3P-1206080	82620-52080A	Scion, Toyota	120, 60, 80	32 Vdc, 1 kA
BTF-3P-1208080	82620-52060A	Scion, Toyota	120, 80, 80	32 Vdc, 1 kA
BTF-5P-1010868	24380-79910	Nissan	100, 100, 80, 60, 80	32 Vdc, 1 kA
BTF-5P-1210868	24380-79912	Nissan	120, 100, 80, 60, 80	32 Vdc, 1 kA
BTF-5P-141010108	24380-7994A	Nissan	140, 100, 100, 100, 80	32 Vdc, 1 kA
BTF-5P-25010888	24380-79918	Nissan	250, 100, 80, 80, 80	32 Vdc, 1 kA
BTF-5P-225106108	24380-79919	Nissan	225, 100, 60, 100, 80	32 Vdc, 1 kA

Packaging specifications

Bussmann series catalog number	Description/ fuse amp rating(s)	UPC	Individual pack qty	Shelf carton qty	Master carton qty
BTF-1P-80	1P Battery fuse-80 A	051712680820	1	5	120
BTF-1P-100	1P Battery fuse-100 A	051712680837	1	5	120
BTF-1P-120	1P Battery fuse-120 A	051712680844	1	5	120
BTF-1P-140	1P Battery fuse-140 A	051712680851	1	5	120
BTF-2P-180120	2P Battery fuse-80, 120 A	051712680899	1	5	120
BTF-2P-200100	2P Battery fuse-200, 100 A	051712680875	1	5	120
BTF-2P-250125	2P Battery fuse-250, 125 A	051712680882	1	5	120
BTF-3P-1206080	3P Battery fuse-120, 60, 80 A	051712680905	1	3	12
BTF-3P-1208080	3P Battery fuse-120, 80, 80 A	051712680912	1	3	12
BTF-5P-1010868	5P Battery fuse-100, 100, 80, 60, 80 A	051712698092	1	3	12
BTF-5P-1210868	5P Battery fuse-120, 100, 80, 60, 80 A	051712698108	1	3	12
BTF-5P-141010108	5P Battery fuse-140, 100, 100, 100, 80 A	051712698115	1	3	12
BTF-5P-25010888	5P Battery fuse-250, 100, 80, 80, 80 A	051712698122	1	3	12
BTF-5P-225106108	5P Battery fuse-225, 100, 60, 100, 80 A	051712698139	1	3	12

For details and schematics, see data sheet no. 10605.



BTF-1P



BTF-2P



BTF-3P



BTF-5P