

4-, 6-, 8- and 10-pole fuse blocks for ATC, ATM and ATR automotive blade fuses



Catalog symbols:

- BP/FB4_ (4-poles)
- BP/FB6_ (6-poles)
- BP/FB8_ (8-poles)
- BP/FB10_ (10-poles)

Description:

Eaton's Bussmann® series splash-proof fuse blocks with covers are available in 4-, 6-, 8- and 10-pole versions for ATC, ATM and ATR automotive blade fuses. Each pole has its own line and load 1/4" male quick-connect terminal (power is not provided by a common bus).

Specifications:

Ratings

- Volts: 32V
- Amps: 15A max per circuit
Total amps per block not to exceed:
 - 30A for 4-pole blocks
 - 45A for 6-pole blocks
 - 60A for 8-pole blocks
 - 90A for 10-pole blocks

Agency information

- Meets IP50 dust protection standards
- Meets IPX4 splash protection standards
- RoHS compliant

Operating temperature range

- -40°C/-40°F to 105°C/221°F,
95% RH non-condensing

Materials

- Base and back plate: glass-fiber reinforced nylon
- Terminals: plated brass
- Cover: clear polycarbonate
- Seal: oil-resistant rubber

Mounting

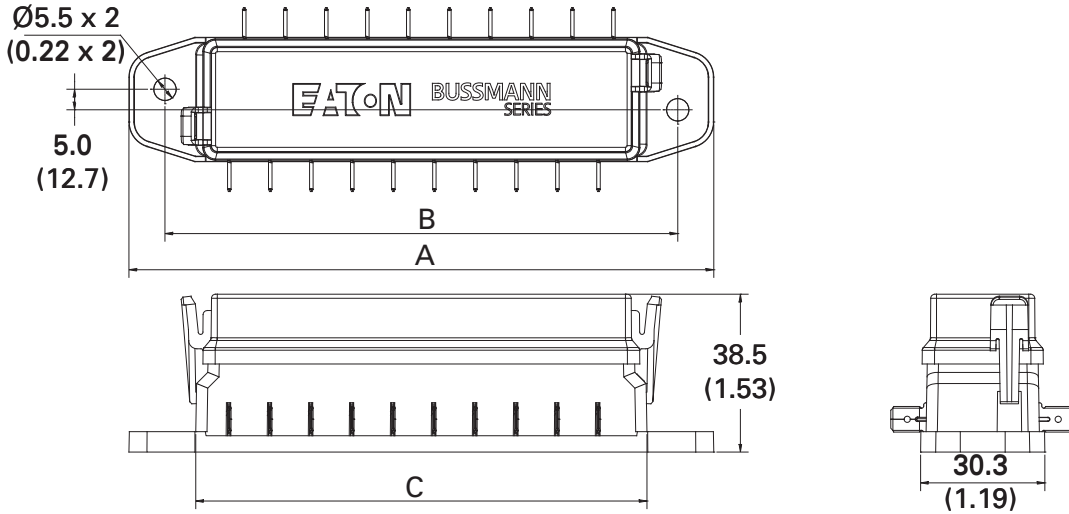
- Two 5.5mm mounting holes for M5 (#10) screws (customer supplied)
- Torque 5N•m (44 lb-in) using M5 (#10) bolt, washer and nut

Packaging

- One block per clamshell pack
- Five blocks per shelf carton
- 50 blocks per master carton
- Fuses sold separately

Recommended Bussmann series fuses:

Fuse type	Description	Max amps
ATC		
ATM	Non-indicating	
ATR		15A
ATC-ID	easyID™ indicating	
ATM-ID		

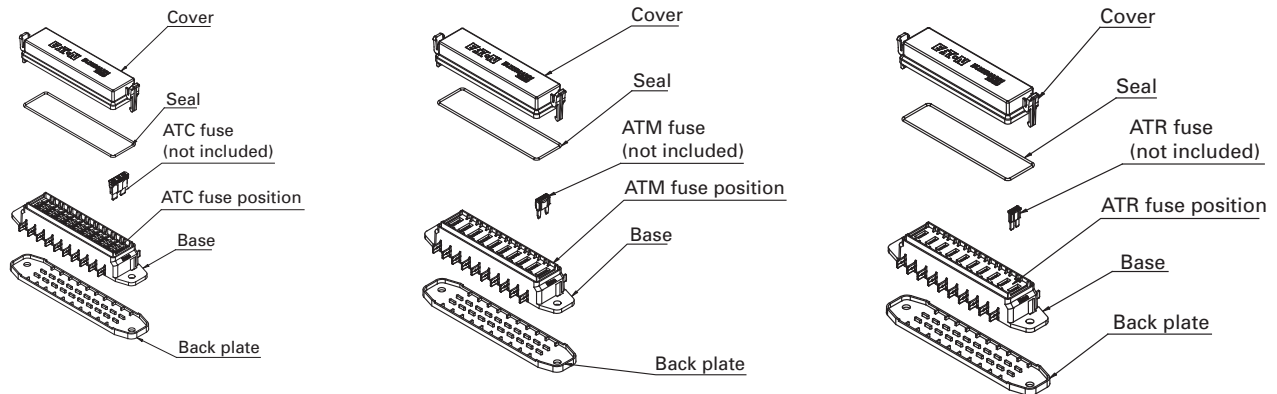


Catalog numbers and dimensions — mm (in):

Catalog number*	Poles	Wire size/length per pole	Fuse type	Dimensions			Max amps per pole	Max total amps per block
				A	B	C		
BP/FB4-ATC	4		ATC	83.0 (3.3)	65.5 (2.6)	50.0 (2.0)	15A	30A
BP/FB4-ATM			ATM					
BP/FB4-ATR			ATR					
BP/FB6-ATC	6	#16 up to 10 feet	ATC	103.0 (4.0)	85.5 (3.4)	70.0 (2.7)	15A	45A
BP/FB6-ATM			ATM					
BP/FB6-ATR			ATR					
BP/FB8-ATC	8	#14 up to 20 feet	ATC	123.0 (4.8)	105.5 (4.1)	90.0 (3.5)	15A	60A
BP/FB8-ATM			ATM					
BP/FB8-ATR			ATR					
BP/FB10-ATC	10	Use customer-supplied female 1/4" quick-connect terminals	ATC	143.0 (5.6)	125.5 (4.9)	110.0 (4.3)	15A	90A
BP/FB10-ATM			ATM					
BP/FB10-ATR			ATR					

* All blocks packed one (1) per clamshell pack, five (5) per shelf carton, 50 per master carton.

Exploded views:



ATC block

ATM block

ATR block

ATC, ATM and ATR fuse blocks



Additional power for your fused accessories



Busmann series splash proof fuse blocks for ATC, ATM and ATR fuses are versatile, durable and easy to install.

Product description:

Busmann® series fuse blocks offer customers a cost-effective solution for adding multiple fused circuits in one compact package.

These fuse blocks are available in 4-, 6-, 8- and 10-pole versions for ATC, ATM and the new micro ATR fuses. They provide an inexpensive alternative for smaller installations and replace traditional glass tube fuse blocks.

Designed for versatility and durability, Busmann series fuse blocks are an easy-to-install solution. What's more, with multiple pole configurations, customers have the flexibility to choose the right fuse block to meet their needs.

Features and benefits:

- Clear, plastic cover for fast visual confirmation of fuse amp rating, and easy identification of blown fuses when Busmann series *easyID™* ATC and ATM fuses are installed.
- The integral o-ring seal provides an IPX4 splash-proof rating while ensuring a secure fit to reduce infiltration of dirt and other contaminants.
- Greater mounting flexibility is achieved with the plastic back plate that provides additional isolation from ground sources when mounted on any chassis surface.

EATON

Powering Business Worldwide

Specifications

ATC fuse

Catalog no.	Poles	Terminals	Max amps per block	Max volts/amps per circuit	Wire range per circuit*	UPC	Quantity per shelf carton	Quantity per master carton
BP/FB4-ATC	4	1/4" quick connect	30	32 V/15 A	#12-16	051712527972	5	50
BP/FB6-ATC	6	1/4" quick connect	45	32 V/15 A	#12-16	051712531573	5	50
BP/FB8-ATC	8	1/4" quick connect	60	32 V/15 A	#12-16	051712531580	5	50
BP/FB10-ATC	10	1/4" quick connect	90	32 V/15 A	#12-16	051712531597	5	50

ATM mini-fuse

Catalog no.	Poles	Terminals	Max amps per block	Max volts/amps per circuit	Wire range per circuit*	UPC	Quantity per shelf carton	Quantity per master carton
BP/FB4-ATM	4	1/4" quick connect	30	32 V/15 A	#12-16	051712531603	5	50
BP/FB6-ATM	6	1/4" quick connect	45	32 V/15 A	#12-16	051712531788	5	50
BP/FB8-ATM	8	1/4" quick connect	60	32 V/15 A	#12-16	051712531795	5	50
BP/FB10-ATM	10	1/4" quick connect	90	32 V/15 A	#12-16	051712531801	5	50

ATR micro-fuse

Catalog no.	Poles	Terminals	Max amps per block	Max volts/amps per circuit	Wire range per circuit*	UPC	Quantity per shelf carton	Quantity per master carton
BP/FB4-ATR	4	1/4" quick connect	30	32 V/15 A	#12-16	051712531818	5	50
BP/FB6-ATR	6	1/4" quick connect	45	32 V/15 A	#12-16	051712531825	5	50
BP/FB8-ATR	8	1/4" quick connect	60	32 V/15 A	#12-16	051712531832	5	50
BP/FB10-ATR	10	1/4" quick connect	90	32 V/15 A	#12-16	051712531849	5	50

*Wire size dependant on length of run

#16 up to 10 feet

#14 up to 20 feet

#12 up to 25 feet