



INSTALLATION INSTRUCTIONS FOR
Toyota Landcruiser Part # 30901
TOOLS REQUIRED FOR INSTALLATION

- Utility Knife
- Socket Driver
- 10mm Socket
- 1/4" Socket (for Torx & Phillips bits)
- No. 27 Torx Driver Bit
- No. 2 Phillips Driver Bit

FLARE INSTALLATION PROCEDURES

Step 1: Verify Fit

- (A) Verify fit by holding flares against vehicle body. Small fit adjustments can be made by trimming excess plastic.
- (B) **DO NOT USE:** Loctite, SuperGlue, or similar products on the hardware or the flares.

edge of the flare. Trim off excess edge trim. See Illustration 1.

Step 2: Painting (Optional)

(It is recommended that painting be done prior to installation.)

- (A) Clean outer surface of flares with a good grade degreaser. **DO NOT USE LACQUER THINNER OR ENAMEL REDUCER AS A DEGREASER.** Wipe outer surface thoroughly with a tack rag prior to painting.
- (B) Paint flares using a high quality lacquer, enamel, or polyurethane automotive paint. Sanding or application of a primer coat is optional.
- (C) If painting edge trim (not recommended), use a flex additive.

Step 3: Preparing The Work Area (Front and Rear)

- (A) Clean and wash vehicle making sure to remove all dirt and debris.
- (B) Remove wheels and support vehicle using jack and jack stands. (Optional)

Step 4: Vehicle Preparation

- (A) Clean application area with 50/50-alcohol/water solutions, and dry with a clean cloth.
- (B) Inspect vehicle for damage before installation of Fender Flares.

Step 5: Edge Trim Installation

- (A) Cut two 56" pieces for front flare, cut two 46" pieces for main rear, and cut two 29" pieces for the door piece.
- (B) Peel two to three inches of red vinyl backing away from edge trim tape. Applying the adhesive side of the edge trim to the inner side of the flare, affix the edge trim to the top edge of the flare (the portion that comes in contact with the side of the vehicle).
- (C) Press edge trim into place along the top edge of the flare in one-foot increments, pulling red vinyl backing free as you continue to work your way around the top

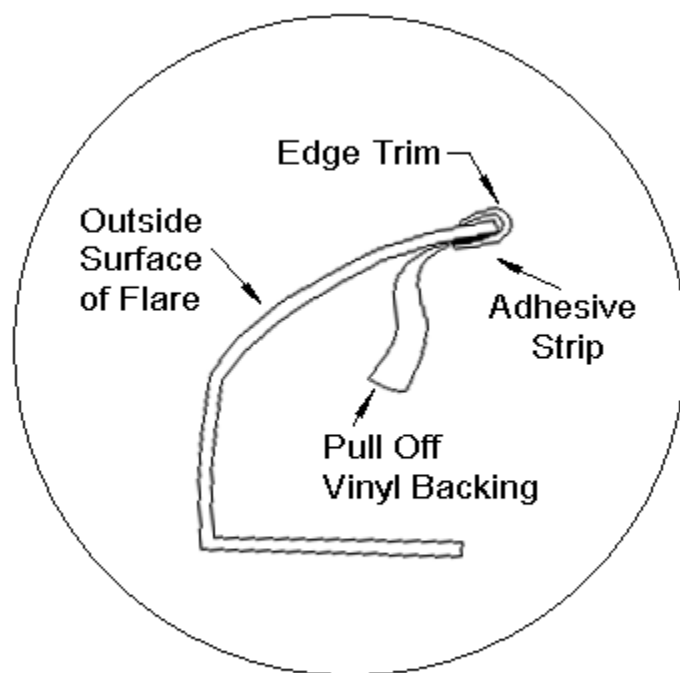


Illustration #1

Step 6: Front Flare installation (See Illustration #2)

- (A) Remove the two no. 27 Torx factory screws, and the three plastic fasteners from the wheel well opening. Discard the three plastic factory fasteners. Leave the mud flap in place.
- (B) Push up the top of the wheel well inner splash shield, revealing the metal tabs from which the three plastic fasteners were removed.
- (C) Install three "J" clips over the metal tabs and into the holes from which the factory fasteners were removed. See Illustration #2.
- (D) Attach the flare using three supplied #8 screws into the clips.
- (E) Using moderate pressure on flare, re-install the two #27 Torx head factory screws. These screws go through the flare and mud flap.

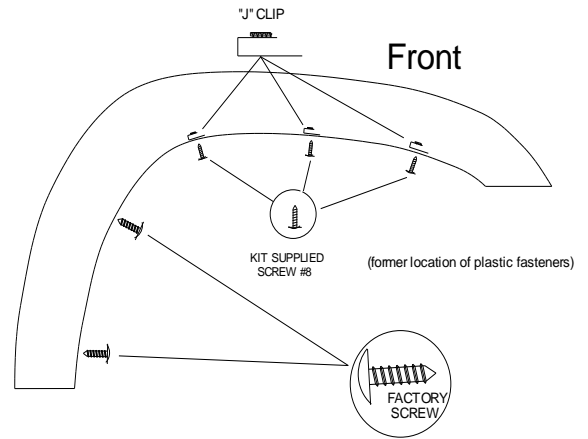


Illustration #2

Step 7: Rear Flare Installation

- (A) Remove and save the three factory screws from the wheel well opening, while keeping the mud flap in place.
- (B) Main Rear Flare (See Illustration #3)
 1. Apply 12" of 1/2" double stick tape to wheel well fender lip, starting 1-1/2" back from the door seam and going toward back of vehicle.
 2. Peel 2" of vinyl backing away near door.
 3. Using moderate pressure, hold the flare in the wheel well opening, aligning it with the holes in the fender. At this time, re-install the three factory screws.
 4. Peel remaining vinyl backing from tape and apply with moderate pressure.
 5. Attach the flare to the wheel well lip using the kit supplied barbed clips, (two per side) short leg on the bottom being visible. The first clip should be 1 1/2" from the door seam, and the second clip 12" from first clip toward back of vehicle. See Illustration #3 clip locations.

Main Rear Flare

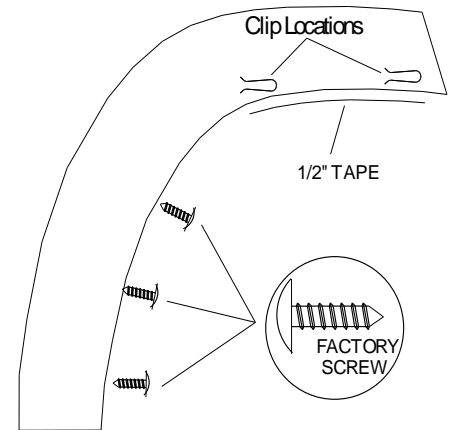


Illustration #3

Step 8: Door Piece Installation (See Illustration #4)

- (A) With the door closed, apply a strip of double stick tape to the outside of the door along the edge, and peel the red vinyl backing away from the tape. (See illustration #5)
- (B) Aligning the Door Piece with the vehicle body lines, the Main Rear Flare and the door seam, place the Door Piece on the door over the double stick tape and press firmly into position.
- (C) While holding the flare in position, open the door and adhere the supplied Mylar tabs on the door lip covering the slots in the door piece.
- (D) Install the supplied clips by pushing the long side of the clip into the slot of the flare, while also tucking the Mylar tab into the slot and over the edge of the door.
- (E) Close the door and verify alignment of the door piece with the vehicle bodylines, the door seam, and the Main Rear Flare. Adjust if necessary.

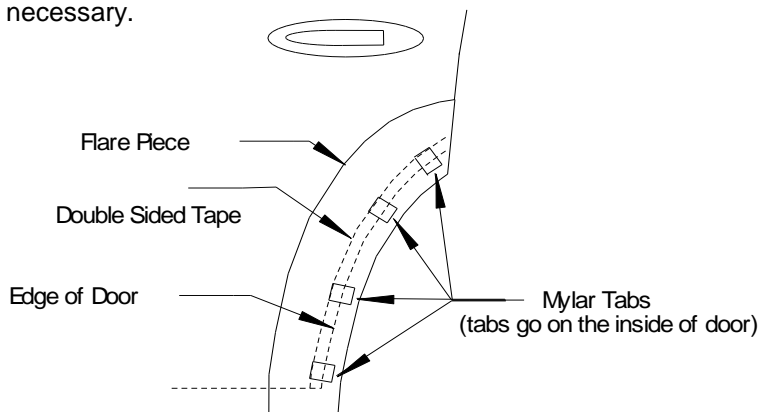


Illustration #5

DOOR PIECE CROSS SECTION

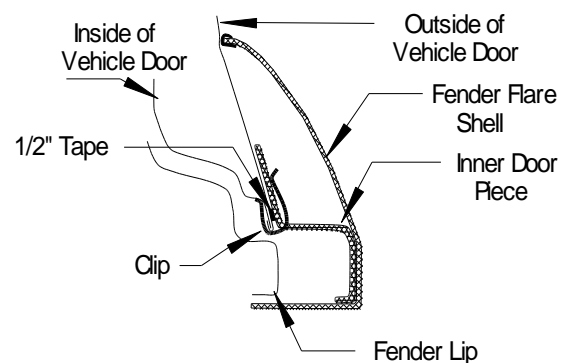


Illustration #4