

## Jeep Wrangler YJ Rears

Set Part #10068-07

### STEP 1 – PRIOR TO INSTALLATION

- A)** Bushwacker only approves installing the flares according to these written instructions with the hardware provided. **WARNING:** Failure to install according to these instructions will invalidate the warranty. This includes, but is not limited to using alternative installation methods, hardware, or materials. **DO NOT USE:** Loctite, SuperGlue, or similar products on the hardware or the flares.
- B) Fit:** Verify the fit of the flares to vehicle. (Some filing, sanding, or cutting may be necessary to ensure proper fit).
- C) Painting:** (Optional) if paint is desired it must be done prior to installing flares on vehicle. Clean outer surface with a good grade degreaser. **DO NOT USE LACQUER THINNER OR ENAMEL REDUCER AS A DEGREASER.** Wipe outer surface thoroughly with a tack rag prior to paint. Application of plastic adhesion promoter for TPO plastic as per your paint system manufacturer's recommendations is required. Paint flares using a high quality enamel, or polyurethane automotive paint. If painting edge trim (not recommended), use a flex additive.
- D) Performance:** Using larger Tires may increase the area required to turn the vehicle. Some Tire/Rim combinations may require lowering bump stops and or installing steering stops to prevent tire from contacting flare.
- E) Exhaust System:** Modifications may be necessary to maintain a minimum 4" clearance between flares and exhaust pipes. (Exhaust gases should not vent directly onto flares)
- F) Metal Protection:** All exposed fasteners and bare metal should be treated with rust resistant paint **BEFORE** installing flares. Spray inner fender wells with undercoating **AFTER** flare attachments have been completed.
- G) Decals:** Flares may interfere with existing decals on vehicle. If you wish, remove decals prior to installation of flares.

## FLAT STYLE FENDER FLARE

### TOOLS FOR EASY INSTALLATION:


- Utility Knife
- #2 Phillips Drive Bit/ Screwdriver
- Electric Drill
- 7/32" Drill Bit
- 1/4" Drill Bit
- Socket Wrench
- 5/16" Socket
- Scratch Awl (or similar pointed tool)
- Grease Pencil
- Soft Wiping Cloth/Shop Towels
- Pry bar/Claw Hammer
- Safety Glasses
- Helper/Partner

### LIMITED LIFETIME WARRANTY AGAINST ANY MANUFACTURING DEFECTS


- To claim a warranty, you must provide Proof of Purchase.

## Included in Hardware Kit

- 

SW1-0056,  
#8 x 3/4"  
PH Screw,  
12 pcs
- 

CL1-0022,  
#10 "U" Clip,  
12 pcs
- 

WA1-0003,  
#10 SAE  
Flat Washer,  
14 pcs
- 

SW1-0053,  
M5-.8 x 25mm  
Philps Mach Screw,  
14 pcs
- 

NU1-0010,  
M5 x.8 Serrated  
Flange Hex Nut,  
14 pcs
- 

AD1-0008,  
ALCOHOL PREP  
PAD,  
2 pcs
- 

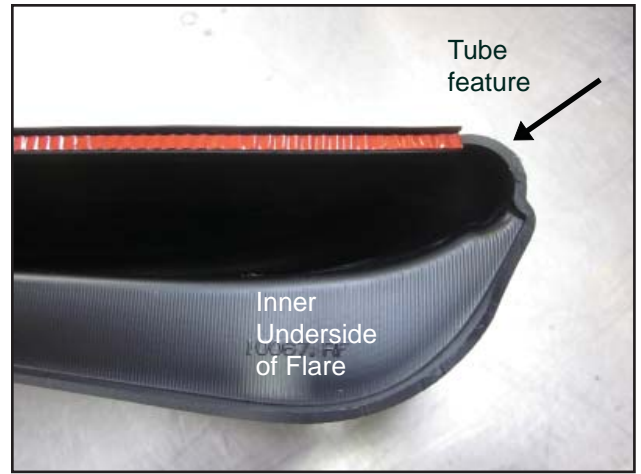
ET1-0002,  
Edge Trim Tool,  
1 pc
- 

GP1-0006,  
Wiper Style (2-  
tape) Edge Trim,  
113 in

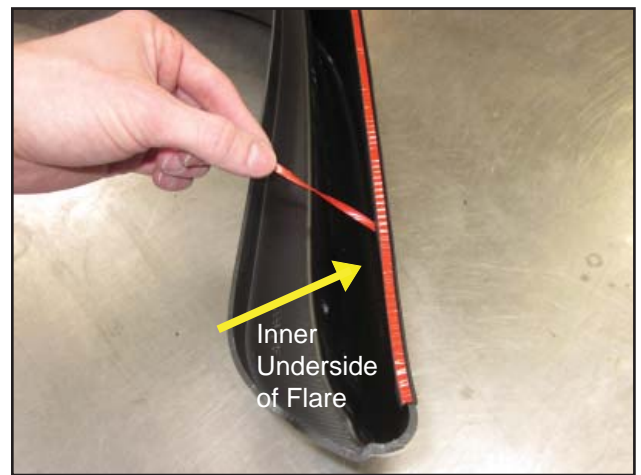
**STEP 2 - EDGE TRIM INSTALLATION (DO NOT INSTALL EDGE TRIM ON THE SMALLER INNER PIECES! ONLY THE FLARE PIECES NEED IT!)**

The edge trim for this application is double-tape edge trim so special care needs to be taken while installing. There is red vinyl backing on the inside of the edge trim where it will adhere to the flare and red vinyl backing on the outside where it will adhere to the vehicle. The following steps only concern where the edge trim will adhere to the flare. Additional edge trim installation instructions are included during the rest of the installation process.

- A) Peel two to three inches of red vinyl backing away from Edge Trim (GP1-0006) tape. Applying the adhesive side of the edge trim to the inner side of the flare, affix the edge trim to the top edge of the flare (the portion that comes in contact with the vehicle). Stop at tube feature of flare. **Picture 1 for tube feature reference**
- B) Press edge trim into place along the top edge of the flare in one-foot increments, pulling red vinyl backing free as you continue to work your way around the top edge of the flare. **Picture 2 for additional edge trim orientation**



**Picture 1**



**Picture 2**

**Rear Flare Installation Procedures (Driver's Side)**



Remove the factory installed fender flare screws with a 5/16" socket wrench. (8 locations)



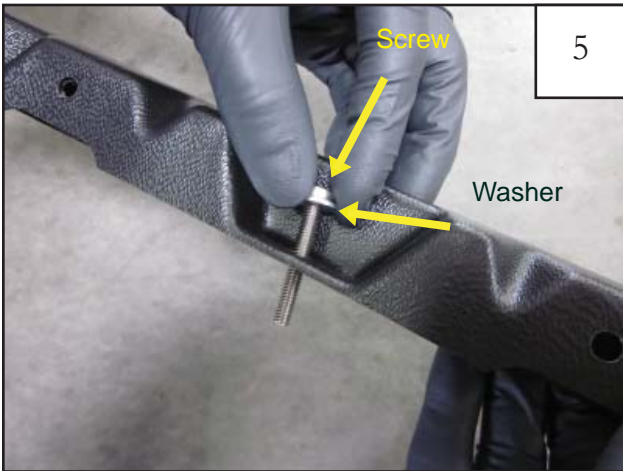
Using a pry bar or claw hammer, remove the Christmas tree fasteners then remove/loosen the rear wheel well skirting. Save fasteners for reinstallation.



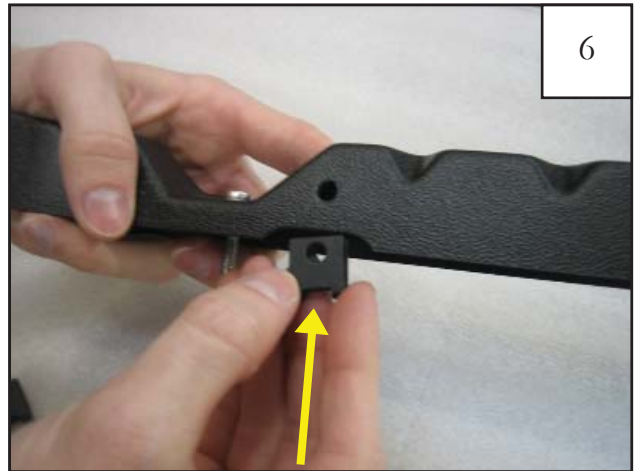
Thoroughly clean the exposed metal fender with a damp cloth then dry.



Locate the flat flare rear inner pieces. The driver side rear inner pieces are marked D3 & D4. The passenger side rear inner pieces are marked P3 & P4.



Put an Screw (SW1-0053) and Washer (WA1-0003) through the top holes of the inner pieces.



Install a Clip (CL1-0022) at each Clip location on the inner pieces, centering them on the predrilled holes. (6 locations)



Secure inner piece D3 (and P3 for passenger side installation) to the sheet metal using the following **3 STEPS: Step 1** Line up the Screws (SW1-0053) with the factory hole locations.

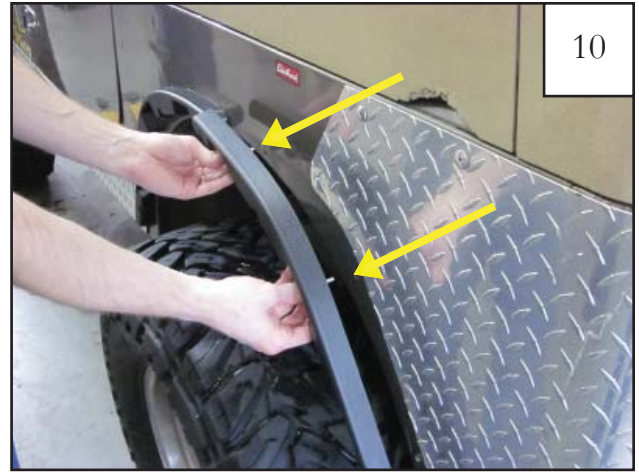


**Step 2** Attach Nuts (NU1-0010) to the threads on the Screws (SW1-0053) and hand tighten.

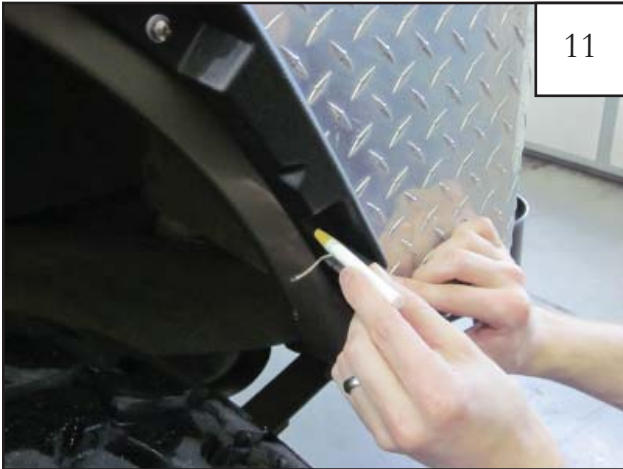




**Step 3** Fully tighten Nuts (NU1-0010) using a 5/16" socket wrench and a # 2 Phillips bit for the Screws (SW1-0053).



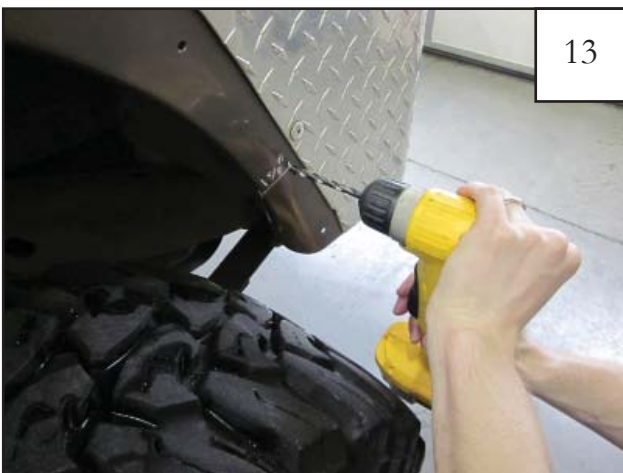
To attach inner piece D4 (P4 for passenger side) you will need to drill 1 new hole location in the sheet metal. Do this by first placing inner piece D4 on vehicle using only top 2 screws in order to align for marking of lower fastening hole.



Using a grease pencil or marker, mark lower hole of inner piece D4 (P4 for passenger side) for drilling. Then remove inner piece D4 from vehicle.



The hole marked for drilling should be 1-5/8" away from (and perpendicular to) the wheel well opening. Adjust mark for drilling as needed.



Using a 1/4" drill bit, drill marked hole.



Secure inner piece D4 (P4 for passenger side) to the sheet metal using the following **4 STEPS**:

**Step 1** Line the Screws (SW1-0053) and Washers (WA1-0003) with the factory hole locations and drilled hole.



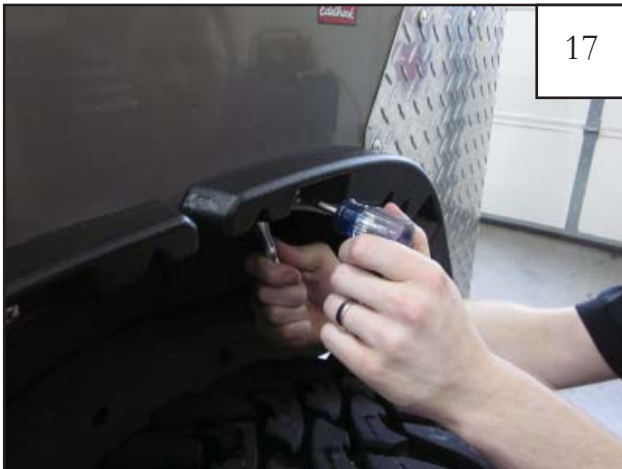
15

**Step 2** Attach Nuts (NU1-0010) to the threads on the Screws (SW1-0053) and hand tighten.



16

**Step 3** Make sure that inner piece D4 lines up with inner piece D3 before fully tightening. (for passenger side P4 and P3).



17

**Step 4** Fully tighten Nuts (NU1-0010) using a 5/16" socket wrench and a # 2 Phillips bit for the Screws (SW1-0053).



18

**OPTIONAL:** If aftermarket corner panels or rocker pieces are installed, you *may* need to trim them for a proper fit. If so, place main flare over inner pieces and use a grease pencil to mark them for trimming. Then remove flare and trim as needed.



19

Use one supplied Wipe (AD1-0008) to clean the *sheet metal* above each inner piece in preparation to tape the edge trim to the sheet metal. *This must be done for proper flare installation.*



20

Peel back 1-2" of red liner on each end of the Edge Trim (GP1-0006) and bend toward the outside of the flare.

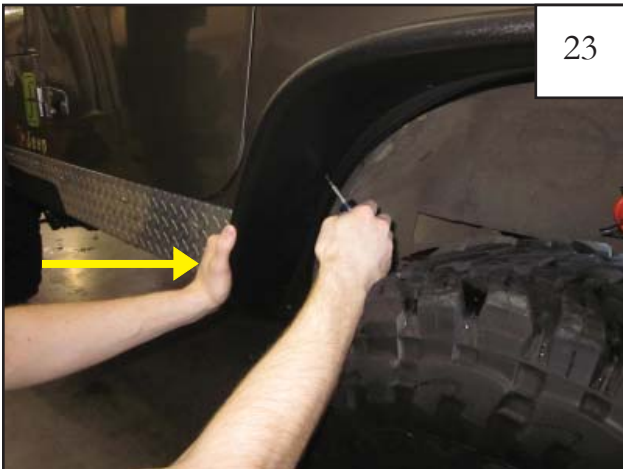




Place the outer flare over the inner pieces and push until snug against the vehicle surface.



Use a scratch awl (or similar pointed tool) to line up the Clips (CL1-0022) with the outer flare holes (6 locations). If needed, use a flashlight to better locate the Clips.



Hold flare in place on fender and start a Screw (SW1-0056) into each hole location and through the Clip (CL1-0022) on inner structure (6 locations). *Do not tighten.*



Tighten the Screw (SW1-0056) by *firmly* pressing the flare toward the vehicle while tightening the Screws.



Peel outer tape liner from the Edge Trim (GP1-0006). Push down *lightly* on the fender flare to create a small gap between the sheet metal and the edge trim. This makes it easier to pull the red liner.



*Firmly* press the flare toward the vehicle for 10 seconds to adhere the tape to the vehicle surface. Repeat this process moving along the entire length of the flare. The vehicle surface temperature must be between 65-110° F for proper adhesion. Allow 24 hours for full adhesion.



Starting at one end, use the flat edge of the supplied Edge Trim Tool (ET1-0002) to further adhere the edge trim to the vehicle surface. Slide the tool along the edge trim while pressing it in toward the vehicle surface.



Use the hooked end of the Edge Trim Tool (ET1-0002) to check for full adhesion. Do this by sliding it along the top of the edge trim to visually verify that the tape is adhered to the vehicle surface. Repeat Step 27 if the tape is not fully adhered to the vehicle surface.



Using fasteners removed in Step 2, reinstall the rear wheel well skirting.



Completed rear driver's side flare installation.

# Flare Height & Tire Coverage (Driver's Side)

