

BROPHY holdowns may be installed in minutes

INSTALLATION



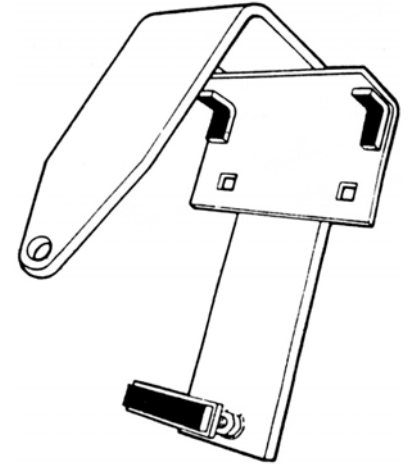
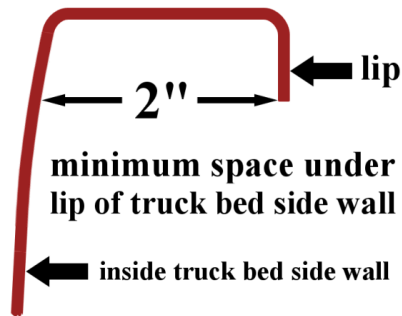
Box contents:

Box contents:

- (4) bodies,
- (4) T-bar bolts
- (4) clamp plates
- (1) hardware package

Hardware package contents:

- (8) 3/8" x 1 3/4" square head tap bolts
- (8) 3/8" hex nuts
- (4) 7/16" hex nuts
- (12) neoprene pads



- 1 Place protective neoprene pads under rest plates and on T-Bars — see illustration at upper right. Thread a 7/16" hex nut on each T-Bar and then thread each T-Bar into the nut that is welded at the bottom of each Holddown.
- 2 Place the front two Holddowns as forward as possible on rail of pickup body— making sure they are forward of the front camper eyebolts. Place the back two Holddowns on rail of pickup slightly forward of or directly below eyebolts. Adjust all T-Bars until Holddowns are square with rail. Then tighten 7/16" hex nuts against nuts welded in body to lock T-Bars in place.
- 3 Put each locking clamp in place under rail of pickup and square with its Holddown. Install bolts provided and tighten them.

