

BREMBO RACING

# **BRAKE SYSTEMS**

**2015-2016**



# INDEX

INTRODUCTION	2
INSTRUCTION FOR INSTALLATION AND USE	4
DISCLAIMER	12
SEC. 1A - CALIPERS	14
SEC. 1B - CALIPERS DRAWINGS	32
SEC. 2 - DISCS & FIXINGS	50
SEC. 3 - MASTER CYLINDERS & RESERVOIRS	66
SEC. 4 - PEDAL BOX	74
SEC. 5 - TYPICAL BRAKE SYSTEMS	78
SEC. 6 - BRAKE FLUID & TEMPERATURE RECORDS	116
SEC. 7 - SPARE PARTS	122

The data contained in this catalogue are provided for information purposes only and therefore may be subject to change.

# INTRODUCTION



## **Brembo, #1 for brakes**

Brembo is the world's leading maker of braking systems for motor cars, motorcycles and commercial vehicles. The organization operates on 3 continents, with production sites in 16 countries and sales networks in 70 national territories around the world.

## **Research never ceases**

The Brembo Group has over 7,600 collaborators, nearly 10% of whom are engineers and product specialists involved in research and development.

## **Brembo - all done in-house**

The entire manufacturing process is an in-house operation: design, development, testing, machining, quality control, distribution and service.

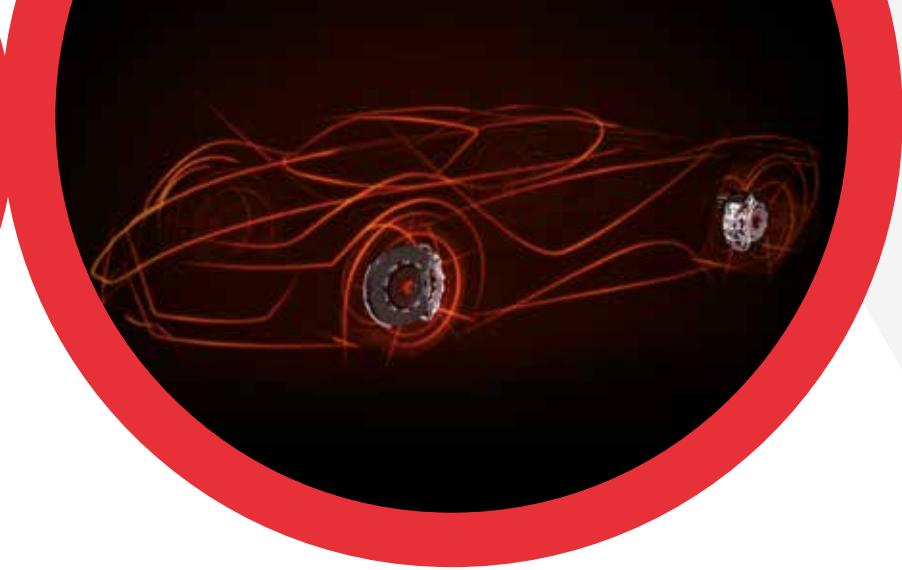
## **Brembo means top quality**

Brembo brakes are manufactured in conformity with ISO 9004 and ISO 14001 standards. Aftermarket products are covered by the Brembo Warranty and carry ABE/TÜV certification from the German Federal Road Safety Office.

## **Top vehicle makers use Brembo**

Brembo produces original equipment braking systems for the top vehicle makers: Aston Martin, Audi, BMW, Cadillac, Chrysler, Ferrari, Ford, General Motors, Honda, Lexus, Jeep, Land Rover, Mercedes-Benz, Mitsubishi, Nissan, Porsche, Subaru, Volkswagen, Volvo, to name but a few.





### **Brembo, racing, and winning**

For about 40 years, Brembo has been equipping the cars and bikes of elite drivers and riders competing in motor sports at world championship levels.

### **Brembo High Performance**

The experience accumulated through years of intensive research in the competition field has allowed us to create product lines that are differentiated on the basis of the application types and different research and development procedures adopted. Thanks to the results obtained, car sports enthusiasts, who insist on replacing original brake systems with Brembo High Performance equipment, are able to improve their riding style in terms of performance and safety while also ramping up the overall aesthetic appeal of their machines.

For additional information, please refer to our website [www.brembo.com](http://www.brembo.com)



# INSTRUCTION FOR INSTALLATION AND USE

## Purpose

To show the correct procedures for the mounting and use of BREMBO braking systems for racing cars, with cast-iron brake discs.

## Reservoir choice

The capacity of the reservoir must be such that when the brake fluid is between the MIN and MAX levels the volume is at least equal to that required by the brake pistons stroke in case of maximum pad and rotor wears.

## Mounting of the reservoir

- Use the pipe fittings and the washers (in copper or in rubber) foreseen by the supplier of the reservoir.
- In order to avoid any vacuum inside the reservoir, as a consequence of the brake fluid level lowering, it is always necessary to have a hole diam. 1 mm in the reservoir cap, independently from the presence of the bellows diaphragm in the reservoir.

## Master-cylinder

### Choice of the master cylinder

- The master cylinder diameter must be chosen in function of the type of calipers which have to be fed, of the brake pedal ratio and of the max pressure we want to obtain: every variation of the master cylinder diameter involves an increase or a decrease of the master cylinder area of about 15%.
- The rubber boot, between the push rod and the hydraulic part, must always be assembled.

### Brake pedal mechanism (system controlled by 2 master cylinders)

- The brake pedal mechanism must be designed and manufactured in order to allow a complete stroke of both master cylinders. In case of systems where the strokes of the two master cylinders are very different from each other, it is necessary that the rod connecting the two push rods be at the appropriate angle.
- For a more linear operation of the brake pedal/master-cylinder mechanism, it is important that the distance between the pedal fulcrum and the push rods is equal or greater than 40 mm (see Fig. 1a).
- Furthermore, it is also important that in the rest position, the rod axle is placed back of 10 - 12mm compared to the fulcrum axle.
- Check that in the rest position the rod connecting the two push rods is perpendicular to both push rods.
- Check that between the joints of the rod connecting the two push rods and the pedal there is a clearance of at least 1 mm each side, in order to allow the eventual inclination of the rod compared to the push rods axle (see Fig. 1b).

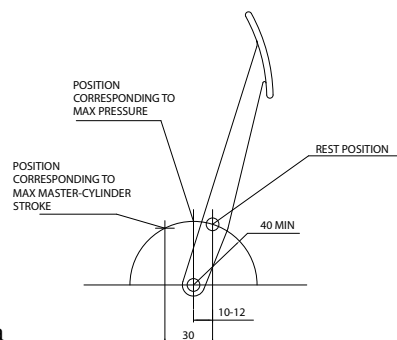


Fig. 1a

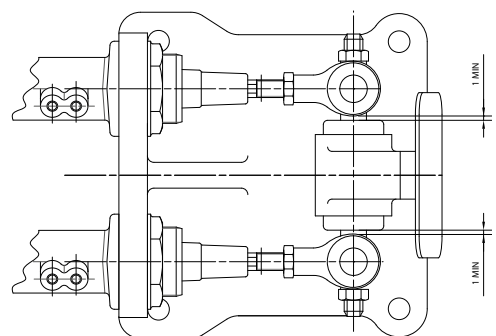


Fig. 1b

## Brake discs

### Assembly of bell and disc

- Clean the cast iron braking ring, eliminating every trace of grease or oil.
- Mount the bell on the braking ring using the BREMBO mounting bush system (the assembly of the bell on the disc must be carried out without any interference).
- Check that the “floating” is correct, that the axial clearance between braking ring and bell meets the values prescribed by Brembo.

### Assembly of the complete disc on the wheel hub

- Verify that the disc bell and wheel hub mounting faces are free from burrs and dents; otherwise these surfaces should be reconditioned.
- The disc must fit onto the wheel easily.
- Apply thermal paints on the disc external diameter (included the eventual fins and pillars) in order to monitor operating temperature.

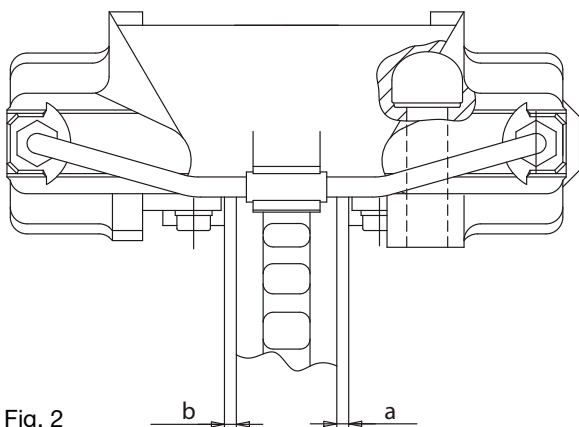
### Inspections

- Check that the disc clearance is the one prescribed by Brembo, even after assembly on the car.
- Check before and after the use that the disc doesn't touch in any part of the caliper.

## Calipers

### Mounting

- The caliper fixing to the upright can be carried out with bolts or with gauged stud bolts and nut; this system allows a more rigid fixing and it is recommended for all the applications on calipers with the radial fixing.
- Mount the caliper onto the knuckle such that the arrow marked on the inner half-caliper corresponds to the forward direction of rotation of the brake disc (the disc must enter the caliper through the side corresponding to the smaller piston and exit through the other side corresponding to the larger piston).
- The caliper must be mounted in a symmetrical position with respect to the disc center line: the difference between the dimensions “a” and “b” must be 0,6 mm MAX (see fig. 2).



$a = b : 0,6 \text{ mm MAX}$

Fig. 2

d. The disc and pads protrusion must be 0,3 mm MAX (see Fig. 3 and Fig. 4).

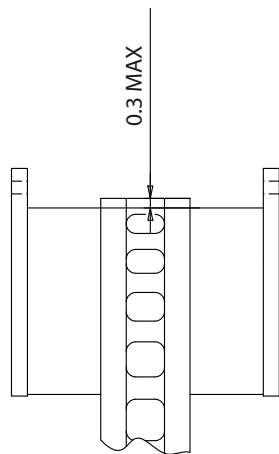


Fig. 3

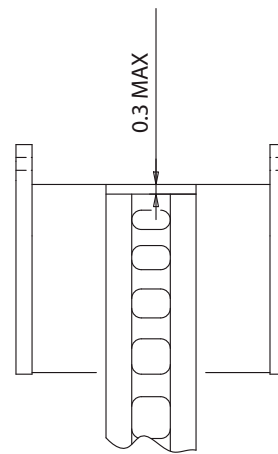


Fig. 4

e. Check that in no working condition the pads touch the disc fixing bell or the upright.  
f. Assembly and disassembly of the pads must occur without any force; the pads radial and lateral clearance inside the caliper must be 0,2 mm MIN; with the pistons in backward position, the clearance between them and the back plate must be 0,5 mm MIN (see Fig. 5).

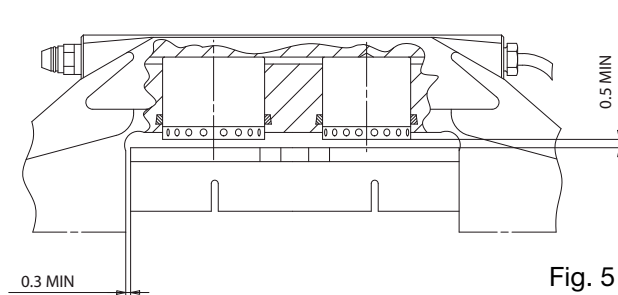
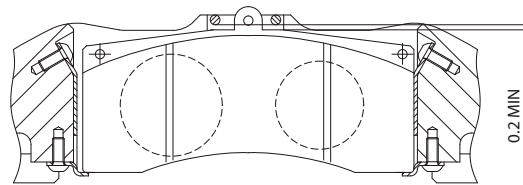


Fig. 5

g. The clearance between disc outer circumference and Caliper Bridge must be 2 mm MIN, with a difference between the two sides of 0.4 mm MAX (see Fig. 6).

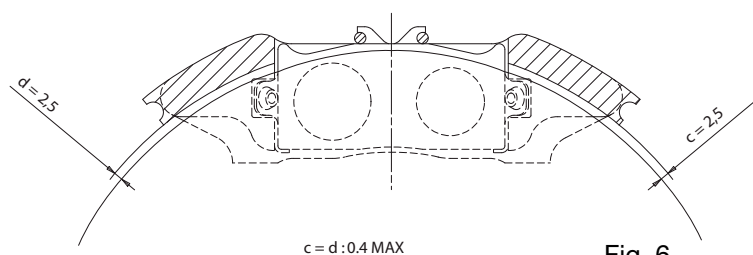


Fig. 6

- h. The M 10x1 bleed screws tightening must be carried out with a torque of 12 - 16 Nm. Apply thermal tape on the external half-caliper in order to monitor operating temperature these can be supplied by BREMBO under part number R 02.5168.10/25.

### **Master-cylinder/caliper connection**

#### **Choice of tubing**

- a. Where it is possible, we recommend the use of steel rigid pipes, since they do not increase brake fluid displacement.
- b. In case, flexible brake hoses are used, it is necessary to use the Teflon type with braided steel sheath.
- c. The hoses internal diameter must be 2.5 or 3 mm; the brake fluid displacement of 1 meter of these hoses is 0.2 cm MAX (for the type having internal diameter 2.5 mm), and 0.3 cm MAX (for the type having internal diameter 3 mm) at the pressure of 70 bar; hoses with a smaller diameter restrict fluid flow, while hoses with a bigger diameter would considerably increase the brake fluid displacement of the system.

#### **Mounting**

- a. Pipe fittings must be tightened to the prescribed torque.
- b. The pipe fittings seal must be sealed with annealed aluminum or copper seals; these seals can be used only once.
- c. Check that tubes are not squashed or pinched and that they are not subjected to high temperatures (in the vicinity of the engine, exhaust pipes, etc.)

### **Brake fluid**

#### **Choice**

- a. Use only high boiling point DOT 3 or DOT 4 brake fluids.
- b. Use only brake fluid from a new and sealed container.
- c. Change brake fluid before each race.

#### **Notes**

- a. Use of liquids other than brake fluids will damage the braking system components.
- b. Since the brake fluid is hygroscopic, we have to consider that in presence of high humidity, the boiling point can be considerably lowered; in these cases the brake fluid has to be replaced daily.



#### Braking system bleeding

- a. In the case of a braking system controlled by two parallel master cylinders operated by a rod, bleed one front and one rear caliper, in order to allow both master cylinders a complete stroke.
- b. Every time the pedal is back, let master cylinder refill simultaneously for at least 2 seconds before pushing the pedal.
- c. When the bleeding is finished, keep in pressure for at least 10 seconds, checking that there aren't any leakages.
- d. Refill the reservoirs.

#### Working inspections

After running a few kilometers, proceed with the following inspections:

- a. The wheels must rotate freely without any residual torque.
- b. There must be no contact between disc and caliper.
- c. No pulsations must be felt on the pedal, otherwise identify which disc causes the problem and check again the disc/bell and bell/hub assemblies.

#### Running-in

For the discs and pads burnishing, it is necessary to follow the running in procedure relative to the friction material used; it is however necessary to assure that during the first kilometers, low pressure applications are carried out for short times in order to allow the bedding of all the pad surface on the disc. Only later you will be able to proceed to the real running in which will end when every pad has reached the best working condition. The running in procedure (bedding of the disc/pads coupling surfaces) must also be carried out when already run-in or used pads are used. Only after the running in is performed, it is possible to take advantage of the braking system braking capacity.

#### Braking system final inspections

- a. There must not be any interference between disc and caliper.
- b. The max temperature reached by the calipers must be lower than 180°C (inspection to be carried out through the thermo tapes applied on the calipers).
- c. Check the working temperature of the discs, verifying the changes occurred to the thermal paints applied on the external diameter of the discs.

If the braking system performance is not considered satisfactory, it is necessary to reduce the discs ventilation. Furthermore a rapid quick cooling could increase the risk of cracks on the discs. If discs reach high temperature, it is necessary to improve the cooling. A high working temperature of the discs causes a decay of the braking power and excessively high temperatures in the brake calipers.

### Braking system balancing

The braking system has to be chosen in function of the vehicle characteristics; it is very important that the max braking power be equally distributed between the front and the rear axles; when the braking system is correctly balanced, the working temperatures of the front and rear brakes must be similar. It is possible to adjust brake balance between the front and rear axles through the adjustment rod, but only for variations up to 10% MAX: in fact the pedal force must be always applied in the vicinity of the center of the adjusting rod in order to obtain a good efficiency of the brake pedal mechanism. If the system isn't balanced even after adjusting, the causes must be searched somewhere else: master cylinders diameter, caliper type, disc diameter etc. In any case, before replacing any components, it is necessary to make sure that the combination of components works correctly. A good general rule to obtain a good efficiency is however to have as similar as possible the master cylinders loads and strokes.

### Inspection of the braking system after use

After every race, it is necessary to proceed with the following inspections and interventions:

#### Fittings

Verify that there are no leakages from the various components, connections, or fittings. If a leak is found on one of the fittings, either increase the tightening torque, or replace the defective component.

#### Brake disc

Check carefully the disc braking surfaces.

The disc can't be used again if:

- on the braking surfaces there are cracks having length higher than 5 mm; in case the crack begins from the external or internal diameter, even if the length is shorter, the disc must be replaced (see Fig. 8).
- It has a wear of 1 mm compared to the new thickness (0,5 mm on both sides);
- The braking surfaces show scorings, which can damage the correct pad/disc contact.

#### Calipers

- Check that the external half calipers connecting pipes are not bent or dented, caused i.e. by the entrance of stones between the wheel and the caliper; in case of damage, overhaul the caliper.
- Check the max temperatures reached by the caliper, checking the thermo tapes applied on the internal half caliper:
- if a temperature of 180°C is reached, we recommend the overhauling of the caliper or to replace the seals;
- If a temperature of 210°C is reached (max value of temperature the caliper can stand for short periods), it is absolutely necessary to overhaul immediately the caliper and search the causes of the overheating, since under these conditions the correct operation of the brake isn't guaranteed anymore.

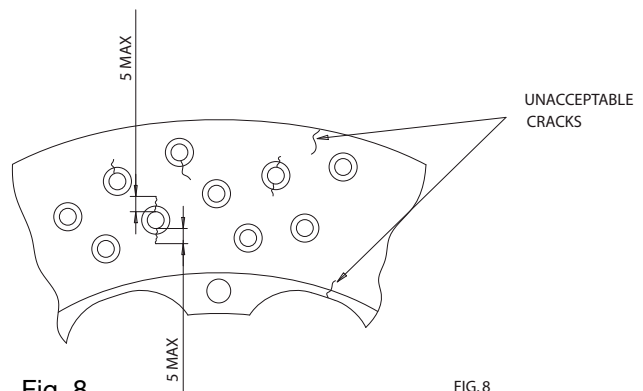


Fig. 8

FIG. 8

### Pads

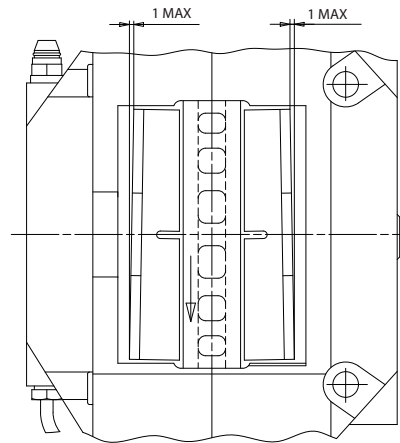
#### Pad wear inspection

Pads should not have a friction material thickness lower than 2 mm MIN; if the pads are excessively worn, they must be changed.

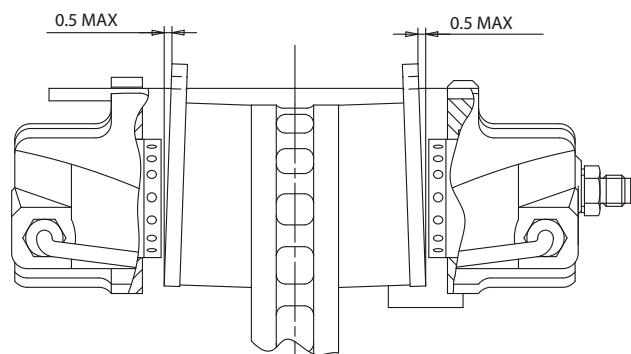
#### Abnormal wear

The pads must not show excessively anomalous or uneven wears; the following must be checked:

- a. Pad tangential taper wear difference must not exceed 1 mm MAX, bearing in mind that the direction of wears of the same caliper must be according to what shown on the Fig.9.



- b. Pad radial taper wear difference must not exceed 1 mm MAX, bearing in mind that the direction of wears of the same caliper must be according to what shown on the Fig.10.

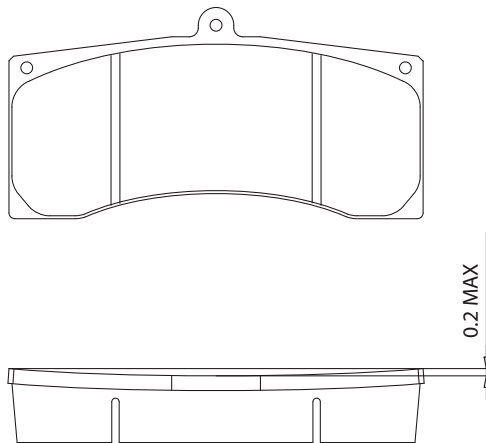


Defective or excessively worn pads must be changed.

#### BACK PLATE DEFORMATION

Back plate flatness error must not exceed 0.2 mm MAX (see Fig. 11);

- in case of excessive back plate flatness error, the pads must be changed.



#### General notes

##### Overhauling and replacement

- Master Cylinder

These must be overhauled after 5000 km MAX of running, or when problems arise;

- Calipers

They must be overhauled after 5000 km max of running, or when problems arise, or if the temperatures go above those shown through the thermo tapes applied on the calipers.

##### Various

- a. The external cleaning of the master cylinder and calipers must be carried out with noncorrosive agents and anyway not with solvents, gasoline or similar, since these products could damage rubber components (seals and dust boots).
- b. During warehousing protect the inlet and outlet holes of the master cylinder and of the calipers with the appropriate caps.
- c. Half-caliper union bolts cannot be re-screwed, or carry out modifications to the calipers.
- d. Replacement of components with non-BREMBO parts is not permitted.
- e. BREMBO recommends the overhauling of its products through its own authorized personnel; therefore BREMBO doesn't take the responsibility for overhauling carried out by someone else.

## DISCLAIMER OF WARRANTY

Brembo's "racing" products are designed and manufactured to be used exclusively in competitions and, therefore, shall not be used on public roads. Thus, Brembo shall not have any liability whatsoever in connection with the use of the products in violation of such limits and/or in connection with the normal wear and tear of such products, nor shall any "Product Liability" apply in such cases. Any alteration of or tampering with the "racing" products may endanger their safety and any guarantee (concerning both contractual and tortious liability) given by Brembo in respect of the products will be terminated by any such alteration or tampering.

### **Installation and maintenance**

Brembo's "racing" products must be installed by highly qualified and competent professionals working in the "racing" field, who have been specifically trained to operate such kind of products. The "racing" products shall be submitted to periodical maintenance. Detailed instructions for both installation and maintenance of such products are set forth within the products wrapping (hereinafter the "instructions"). Thus, Brembo shall not have any liability whatsoever in connection with Client's failure to comply with the instructions and/or in connection with their inappropriate and/or incorrect installation on vehicles and/or with the lack of and/or incorrect maintenance of such products, nor shall any "Product Liability" apply in such cases.

### **Conditions of use**

The Clients acknowledge and accept that due to the particular operative and environmental conditions under which the racing products operate during competitions, such products may be subject to use under extreme conditions, which may exceed the project limits and control as set by Brembo. Thus, Brembo shall not have any liability whatsoever in connection with the use of the "racing" products under extreme conditions during the competitions, nor shall any "Product Liability" apply in such case.

### **Limits to contractual guarantees**

Brembo guarantees that the "racing" products are manufactured with high quality materials and in accordance with the specifications provided by the Manufacturer. Should the Client, having received the "racing" products, notice either an apparent or a hidden defect, he shall communicate it in writing to Brembo within 8 (eight) days from the date of their delivery. The Client shall, at his own expense, deliver the defective products ex works BREMBO, in accordance with the instructions given by BREMBO. Only in case a defect has actually been ascertained by Brembo's quality control office, the defective parts of the "racing" products will be replaced. In any event, Brembo's liability, as well as the liability of its agents and/or distributors and/or any other brokers shall not exceed the sale price of the "racing" products. The guarantee does not apply in case the "racing" products have not been installed and maintained in accordance with the instructions. Brembo's liability does not exceed the limits set forth in this paragraph and no further guarantee, neither express nor implied, which may determine an extension of such liability, is hereby given. Except upon Brembo's express written authorization, none of its agents and/or distributors and/or other brokers are authorized to give further guarantees other than those provided for in the Sales Conditions.

It should be observed that Brembo guarantees the materials produced by its suppliers within the limits of the guarantees given by such suppliers to Brembo.





1a

**CALIPERS**





## P/N XA6.L6.11/12

### 2 PISTON CALIPER

**Typical application:** Formula Student

#### Mounting information

Trailing	Leading
LH XA6.L6.11	
RH XA6.L6.12	

#### Technical Specifications

Piston Size (mm)	36	Piston Area (cm <sup>2</sup> )	20,35	Mounting Offset (mm)	29,79
		Pad Area (cm <sup>2</sup> )	32	Mounting Hole Dia. (mm)	M10x1.5
		Pad Thickness (mm)	14,6	Caliper Body	2 Pieces
		Pad Family	TBD	Caliper Material	Aluminium
		Disc Thickness (mm)	20	Piston Insert	-
		Disc Diameter (mm)	316	Weight (kg)	1,42
		Mounting Hole Center (mm)	114	Fluid Capacity	20,56



## P/N XA8.U2.01

### 2 PISTON CALIPER

**Typical application:** Various

#### Mounting information

Trailing	Leading
LH XA8.U2.01	LH XA8.U2.01
RH XA8.U2.01	RH XA8.U2.01

#### Technical Specifications

Piston Size (mm)	38	Piston Area (cm <sup>2</sup> )	22,68	Mounting Offset (mm)	28
		Pad Area (cm <sup>2</sup> )	26	Mounting Hole Dia. (mm)	10,23
		Pad Thickness (mm)	15	Caliper Body	Monobloc
		Pad Family	N/A	Caliper Material	Aluminium
		Disc Thickness (mm)	6,4	Piston Insert	steel
		Disc Diameter (mm)	278	Weight (kg)	0,96
		Mounting Hole Center (mm)	95	Fluid Capacity	20



## P/N XA8.U2.11

### 2 PISTON CALIPER

**Typical application:** Various

#### Mounting information

Trailing	Leading
LH XA8.U2.11	LH XA8.U2.11
RH XA8.U2.11	RH XA8.U2.11

#### Technical Specifications

Piston Size (mm)	40	Piston Area (cm <sup>2</sup> )	25,13	Mounting Offset (mm)	28
		Pad Area (cm <sup>2</sup> )	26	Mounting Hole Dia. (mm)	10,23
		Pad Thickness (mm)	15	Caliper Body	Monobloc
		Pad Family	N/A	Caliper Material	Aluminium
		Disc Thickness (mm)	6,4	Piston Insert	steel
		Disc Diameter (mm)	278	Weight (kg)	0,96
		Mounting Hole Center (mm)	95	Fluid Capacity	22



## P/N XA8.U2.21

### 2 PISTON CALIPER

Typical application: Various

#### Mounting information

Trailing	Leading
LH XA8.U2.21	LH XA8.U2.21
RH XA8.U2.21	RH XA8.U2.21

#### Technical Specifications

Piston Size (mm)	42	Piston Area (cm <sup>2</sup> )	27,7	Mounting Offset (mm)	28
		Pad Area (cm <sup>2</sup> )	26	Mounting Hole Dia. (mm)	10,23
		Pad Thickness (mm)	15	Caliper Body	Monobloc
		Pad Family	N/A	Caliper Material	Aluminium
		Disc Thickness (mm)	6,4	Piston Insert	steel
		Disc Diameter (mm)	278	Weight (kg)	0,96
		Mounting Hole Center (mm)	95	Fluid Capacity	24



## P/N XA8.U2.41

### 2 PISTON CALIPER

Typical application: Various

#### Mounting information

Trailing	Leading
LH XA8.U2.41	LH XA8.U2.41
RH XA8.U2.41	RH XA8.U2.41

#### Technical Specifications

Piston Size (mm)	38	Piston Area (cm <sup>2</sup> )	22,68	Mounting Offset (mm)	28
		Pad Area (cm <sup>2</sup> )	26	Mounting Hole Dia. (mm)	10,23
		Pad Thickness (mm)	15	Caliper Body	Monobloc
		Pad Family	N/A	Caliper Material	Aluminium
		Disc Thickness (mm)	18	Piston Insert	steel
		Disc Diameter (mm)	278	Weight (kg)	0,96
		Mounting Hole Center (mm)	95	Fluid Capacity	26



## P/N XA2.E7.03/04

### 4 PISTON CALIPER

Typical application: GT

#### Mounting information

Trailing	Leading
	LH XA2.E7.03
	RH XA2.E7.04

#### Technical Specifications

Piston Size (mm)	38	Piston Area (cm <sup>2</sup> )	50,39	Mounting Offset (mm)	62
	42	Pad Area (cm <sup>2</sup> )	63	Mounting Hole Dia. (mm)	12,23
		Pad Thickness (mm)	25 - 26,5	Caliper Body	2 Pieces
		Pad Family	B13	Caliper Material	Aluminium
		Disc Thickness (mm)	32 - 35	Piston Insert	-
		Disc Diameter (mm)	332 - 355	Weight (kg)	2,95
		Mounting Hole Center (mm)	130	Fluid Capacity	103,3



## P/N XA2.E7.13/14

### 4 PISTON CALIPER

Typical application: GT

#### Mounting information

Trailing	Leading
	LH XA2.E7.13
	RH XA2.E7.14

#### Technical Specifications

Piston Size (mm)	28	Piston Area (cm <sup>2</sup> )	32,67	Mounting Offset (mm)	62
	36	Pad Area (cm <sup>2</sup> )	63	Mounting Hole Dia. (mm)	12,23
		Pad Thickness (mm)	25 - 26,5	Caliper Body	2 Pieces
		Pad Family	B13	Caliper Material	Aluminium
		Disc Thickness (mm)	32 - 35	Piston Insert	-
		Disc Diameter (mm)	332 - 355	Weight (kg)	2,95
		Mounting Hole Center (mm)	130	Fluid Capacity	66,97



## P/N XA3.G2.11/12

### 4 PISTON CALIPER

Typical application: RALLY

#### Mounting information

Trailing	Leading
LH XA3.G2.11	
RH XA3.G2.12	

#### Technical Specifications

Piston Size (mm)	26	Piston Area (cm <sup>2</sup> )	24,75	Mounting Offset (mm)	53,5
	30	Pad Area (cm <sup>2</sup> )	38	Mounting Hole Dia. (mm)	10,25
		Pad Thickness (mm)	20	Caliper Body	2 Pieces
		Pad Family	B09	Caliper Material	Aluminium
		Disc Thickness (mm)	24 - 25,4	Piston Insert	Steel
		Disc Diameter (mm)	278 - 313	Weight (kg)	2,15
		Mounting Hole Center (mm)	120	Fluid Capacity	50,74



## P/N XA4.10.01/02/03/04

### 4 PISTON CALIPER

Typical application: F3

#### Mounting information

Trailing	Leading
LH XA4.10.01	LH XA4.10.03
RH XA4.10.02	RH XA4.10.04

#### Technical Specifications

Piston Size (mm)	34	Piston Area (cm <sup>2</sup> )	40,84	Mounting Offset (mm)	40
	38	Pad Area (cm <sup>2</sup> )	36,5	Mounting Hole Dia. (mm)	10
		Pad Thickness (mm)	16	Caliper Body	2 Pieces
		Pad Family	B08	Caliper Material	Aluminium
		Disc Thickness (mm)	16	Piston Insert	-
		Disc Diameter (mm)	278	Weight (kg)	1,3
		Mounting Hole Center (mm)	120	Fluid Capacity	51,05



## P/N XA5.T0.03/04 4 PISTON CALIPER

Typical application: RALLY



### Mounting information

Trailing	Leading
	LH XA5.T0.03
	RH XA5.T0.04

### Technical Specifications

Piston Size (mm)	38	Piston Area (cm <sup>2</sup> )	53,09	Mounting Offset (mm)	42
	44	Pad Area (cm <sup>2</sup> )	60,9	Mounting Hole Dia. (mm)	12,23
		Pad Thickness (mm)	17,5	Caliper Body	Monobloc
		Pad Family	B18 - B19	Caliper Material	Aluminium
		Disc Thickness (mm)	28 - 30 - 32	Piston Insert	Steel
		Disc Diameter (mm)	300 - 355	Weight (kg)	2,66
		Mounting Hole Center (mm)	180	Fluid Capacity	95,56

## P/N XA6.H7.13/14 4 PISTON CALIPER

Typical application: Grand AM



### Mounting information

Trailing	Leading
	LH XA6.H7.13
	RH XA6.H7.14

### Technical Specifications

Piston Size (mm)	28	Piston Area (cm <sup>2</sup> )	32,67	Mounting Offset (mm)	62
	36	Pad Area (cm <sup>2</sup> )	63	Mounting Hole Dia. (mm)	12,23
		Pad Thickness (mm)	22	Caliper Body	2 Pieces
		Pad Family	B13	Caliper Material	Aluminium
		Disc Thickness (mm)	32	Piston Insert	Steel
		Disc Diameter (mm)	332 - 355	Weight (kg)	2,95
		Mounting Hole Center (mm)	130	Fluid Capacity	57,17

## P/N XA6.S0.01/02/03/04 4 PISTON CALIPER

Typical application: F3



### Mounting information

Trailing	Leading
LH XA6.S0.01	LH XA6.S0.03
RH XA6.S0.02	RH XA6.S0.04

### Technical Specifications

Piston Size (mm)	30	Piston Area (cm <sup>2</sup> )	34,49	Mounting Offset (mm)	40
	36	Pad Area (cm <sup>2</sup> )	36,3	Mounting Hole Dia. (mm)	10,23
		Pad Thickness (mm)	16	Caliper Body	Monobloc
		Pad Family	B10	Caliper Material	Aluminium
		Disc Thickness (mm)	18	Piston Insert	-
		Disc Diameter (mm)	278	Weight (kg)	1 ,21
		Mounting Hole Center (mm)	120	Fluid Capacity	43

## P/N XA6.S0.21/22/23/24

### 4 PISTON CALIPER

Typical application: F3 HRB version

#### Mounting information

Trailing	Leading
LH XA6.S0.21	LH XA6.S0.23
RH XA6.S0.22	RH XA6.S0.24

#### Technical Specifications

Piston Size (mm)	30	Piston Area (cm <sup>2</sup> )	34,49	Mounting Offset (mm)	40
	36	Pad Area (cm <sup>2</sup> )	36,3	Mounting Hole Dia. (mm)	10,23
		Pad Thickness (mm)	16	Caliper Body	Monobloc
		Pad Family	B10	Caliper Material	Aluminium
		Disc Thickness (mm)	18	Piston Insert	-
		Disc Diameter (mm)	278	Weight (kg)	1 ,21
		Mounting Hole Center (mm)	120	Fluid Capacity	43



## P/N XA7.G0.11/12

### 4 PISTON CALIPER

Typical application: RALLY

#### Mounting information

Trailing	Leading
LH XA7.G0.11	
RH XA7.G0.12	

#### Technical Specifications

Piston Size (mm)	26	Piston Area (cm <sup>2</sup> )	24,75	Mounting Offset (mm)	30,2
	30	Pad Area (cm <sup>2</sup> )	38	Mounting Hole Dia. (mm)	M12x1.5
		Pad Thickness (mm)	20	Caliper Body	Monobloc
		Pad Family	B09	Caliper Material	Aluminium
		Disc Thickness (mm)	24 - 25,4	Piston Insert	Steel
		Disc Diameter (mm)	295	Weight (kg)	1,68
		Mounting Hole Center (mm)	146 axial	Fluid Capacity	41



## P/N XA7.G1.13/14

### 4 PISTON CALIPER

Typical application: Rear GT

#### Mounting information

Trailing	Leading
	LH XA7.G1.13
	RH XA7.G1.14

#### Technical Specifications

Piston Size (mm)	30	Piston Area (cm <sup>2</sup> )	32,29	Mounting Offset (mm)	53,5
	34	Pad Area (cm <sup>2</sup> )	38	Mounting Hole Dia. (mm)	10,23
		Pad Thickness (mm)	20	Caliper Body	Monobloc
		Pad Family	B09	Caliper Material	Aluminium
		Disc Thickness (mm)	24 - 25,4	Piston Insert	Steel
		Disc Diameter (mm)	278 - 313	Weight (kg)	2,68
		Mounting Hole Center (mm)	120	Fluid Capacity	54



## P/N XA8.30.13/14

### 4 PISTON CALIPER

Typical application: GT

#### Mounting information

Trailing	Leading
	LH XA8.30.13
	RH XA8.30.14



#### Technical Specifications

Piston Size (mm)	28	Piston Area (cm <sup>2</sup> )	32,67	Mounting Offset (mm)	62
	36	Pad Area (cm <sup>2</sup> )	63	Mounting Hole Dia. (mm)	12,23
		Pad Thickness (mm)	26,5	Caliper Body	Monobloc
		Pad Family	B18	Caliper Material	Aluminium
		Disc Thickness (mm)	28 - 32	Piston Insert	Steel
		Disc Diameter (mm)	332 - 355	Weight (kg)	2,48
		Mounting Hole Center (mm)	130	Fluid Capacity	58

## P/N XA8.30.51/52/53/54

### 4 PISTON CALIPER

Typical application: GT

#### Mounting information

Trailing	Leading
LH XA8.30.51	LH XA8.30.53
RH XA8.30.52	RH XA8.30.54



#### Technical Specifications

Piston Size (mm)	36	Piston Area (cm <sup>2</sup> )	45,49	Mounting Offset (mm)	42
	40	Pad Area (cm <sup>2</sup> )	63	Mounting Hole Dia. (mm)	12,23
		Pad Thickness (mm)	26,5	Caliper Body	Monobloc
		Pad Family	B13	Caliper Material	Aluminium
		Disc Thickness (mm)	28 - 32	Piston Insert	Steel
		Disc Diameter (mm)	332 - 355	Weight (kg)	2,38
		Mounting Hole Center (mm)	180	Fluid Capacity	58

## P/N XA9.Y6.53/54

### 4 PISTON CALIPER

Typical application: RALLY

#### Mounting information

Trailing	Leading
	LH XA9.Y6.53
	RH XA9.Y6.54



#### Technical Specifications

Piston Size (mm)	36	Piston Area (cm <sup>2</sup> )	45,49	Mounting Offset (mm)	42
	40	Pad Area (cm <sup>2</sup> )	78,5	Mounting Hole Dia. (mm)	12,23
		Pad Thickness (mm)	17,5	Caliper Body	Monobloc
		Pad Family	B18 - B19	Caliper Material	Aluminium
		Disc Thickness (mm)	25,4 - 28 - 30 - 32	Piston Insert	Steel
		Disc Diameter (mm)	300 - 355	Weight (kg)	2,1
		Mounting Hole Center (mm)	180	Fluid Capacity	57

## P/N XB0.77.03/04

### 4 PISTON CALIPER

Typical application: NASCAR

#### Mounting information

Trailing	Leading
	LH XB0.77.03
	RH XB0.77.04



#### Technical Specifications

Piston Size (mm)	38	Piston Area (cm <sup>2</sup> )	50,39	Mounting Offset (mm)	42
	42	Pad Area (cm <sup>2</sup> )	65	Mounting Hole Dia. (mm)	12,23
		Pad Thickness (mm)	20	Caliper Body	2 Pieces
		Pad Family	B18	Caliper Material	Aluminium
		Disc Thickness (mm)	28 - 30 - 32	Piston Insert	Steel
		Disc Diameter (mm)	311 - 328	Weight (kg)	2,62
		Mounting Hole Center (mm)	180	Fluid Capacity	84,5

## P/N XB0.L2.13/14

### 4 PISTON CALIPER

Typical application: GT

#### Mounting information

Trailing	Leading
	LH XB0.L2.13
	RH XB0.L2.14



#### Technical Specifications

Piston Size (mm)	28	Piston Area (cm <sup>2</sup> )	32,67	Mounting Offset (mm)	62
	36	Pad Area (cm <sup>2</sup> )	63	Mounting Hole Dia. (mm)	12,23
		Pad Thickness (mm)	26,5	Caliper Body	Monobloc
		Pad Family	B18	Caliper Material	Aluminium
		Disc Thickness (mm)	28 - 32	Piston Insert	Steel
		Disc Diameter (mm)	332 - 355	Weight (kg)	2,35
		Mounting Hole Center (mm)	130	Fluid Capacity	58

## P/N XB0.L2.53/54

### 4 PISTON CALIPER

Typical application: GT

#### Mounting information

Trailing	Leading
	LH XB0.L2.53
	RH XB0.L2.54



#### Technical Specifications

Piston Size (mm)	28	Piston Area (cm <sup>2</sup> )	32,67	Mounting Offset (mm)	42
	36	Pad Area (cm <sup>2</sup> )	63	Mounting Hole Dia. (mm)	12,23
		Pad Thickness (mm)	26,5	Caliper Body	Monobloc
		Pad Family	B13	Caliper Material	Aluminium
		Disc Thickness (mm)	28 - 32	Piston Insert	Steel
		Disc Diameter (mm)	332 - 355	Weight (kg)	2,33
		Mounting Hole Center (mm)	180	Fluid Capacity	69

## P/N XB1.05.11/12

### 4 PISTON CALIPER

Typical application: GT

#### Mounting information

Trailing	Leading
LH XB1.05.11	
RH XB1.05.12	

#### Technical Specifications

Piston Size (mm)	38	Piston Area (cm <sup>2</sup> )	50,39	Mounting Offset (mm)	42
	42	Pad Area (cm <sup>2</sup> )	65	Mounting Hole Dia. (mm)	12,23
		Pad Thickness (mm)	25	Caliper Body	2 Pieces
		Pad Family	B18	Caliper Material	Aluminium
		Disc Thickness (mm)	32 - 35	Piston Insert	Steel
		Disc Diameter (mm)	355 - 380	Weight (kg)	3,18
		Mounting Hole Center (mm)	190	Fluid Capacity	106



## P/N XB1.E7.01/02/03/04

### 4 PISTON CALIPER

Typical application: TRACK DAY

#### Mounting information

Trailing	Leading
LH XB1.E7.01	LH XB1.E7.03
RH XB1.E7.02	RH XB1.E7.04

#### Technical Specifications

Piston Size (mm)	40	Piston Area (cm <sup>2</sup> )	55,54	Mounting Offset (mm)	56,5
	44	Pad Area (cm <sup>2</sup> )	65 - 77	Mounting Hole Dia. (mm)	12,23
		Pad Thickness (mm)	20	Caliper Body	2 Pieces
		Pad Family	B18 - B19	Caliper Material	Aluminium
		Disc Thickness (mm)	32 - 35	Piston Insert	Steel
		Disc Diameter (mm)	328 - 355	Weight (kg)	3,45
		Mounting Hole Center (mm)	130	Fluid Capacity	80,8



## P/N XB1.E7.11/12/13/14

### 4 PISTON CALIPER

Typical application: TRACK DAY

#### Mounting information

Trailing	Leading
LH XB1.E7.11	LH XB1.E7.13
RH XB1.E7.12	RH XB1.E7.14

#### Technical Specifications

Piston Size (mm)	40	Piston Area (cm <sup>2</sup> )	55,54	Mounting Offset (mm)	55
	44	Pad Area (cm <sup>2</sup> )	65 - 77	Mounting Hole Dia. (mm)	12,23
		Pad Thickness (mm)	20	Caliper Body	2 Pieces
		Pad Family	B18 - B19	Caliper Material	Aluminium
		Disc Thickness (mm)	28 - 32	Piston Insert	Steel
		Disc Diameter (mm)	328 - 355	Weight (kg)	3,4
		Mounting Hole Center (mm)	130	Fluid Capacity	80,8





## P/N XB1.E7.21/22/23/24

### 4 PISTON CALIPER

Typical application: TRACK DAY

#### Mounting information

Trailing	Leading
LH XB1.E7.21	LH XB1.E7.23
RH XB1.E7.22	RH XB1.E7.24

#### Technical Specifications

Piston Size (mm)	36	Piston Area (cm <sup>2</sup> )	45,49	Mounting Offset (mm)	55
	40	Pad Area (cm <sup>2</sup> )	65 - 77	Mounting Hole Dia. (mm)	12,23
		Pad Thickness (mm)	20	Caliper Body	2 Pieces
		Pad Family	B18 - B19	Caliper Material	Aluminium
		Disc Thickness (mm)	28 - 32	Piston Insert	Steel
		Disc Diameter (mm)	328 - 355	Weight (kg)	3,47
		Mounting Hole Center (mm)	130	Fluid Capacity	66



## P/N XB1.E7.31/32/33/34

### 4 PISTON CALIPER

Typical application: TRACK DAY

#### Mounting information

Trailing	Leading
LH XB1.E7.31	LH XB1.E7.33
RH XB1.E7.32	RH XB1.E7.34

#### Technical Specifications

Piston Size (mm)	36	Piston Area (cm <sup>2</sup> )	45,49	Mounting Offset (mm)	56,5
	40	Pad Area (cm <sup>2</sup> )	65 - 77	Mounting Hole Dia. (mm)	12,23
		Pad Thickness (mm)	20	Caliper Body	2 Pieces
		Pad Family	B18 - B19	Caliper Material	Aluminium
		Disc Thickness (mm)	32 - 35	Piston Insert	Steel
		Disc Diameter (mm)	328 - 355	Weight (kg)	3,5
		Mounting Hole Center (mm)	130	Fluid Capacity	66



## P/N XA4.F1.01/02

### 6 PISTON CALIPER

Typical application: GT

#### Mounting information

Trailing	Leading
LH XA4.F1.01	
RH XA4.F1.02	

#### Technical Specifications

Piston Size (mm)	28	Piston Area (cm <sup>2</sup> )	49,13	Mounting Offset (mm)	42
	30	Pad Area (cm <sup>2</sup> )	78,5	Mounting Hole Dia. (mm)	12,23
	38	Pad Thickness (mm)	29	Caliper Body	Monobloc
		Pad Family	B24	Caliper Material	Aluminium
		Disc Thickness (mm)	32 - 35	Piston Insert	Titanium
		Disc Diameter (mm)	355 - 380	Weight (kg)	3,1
		Mounting Hole Center (mm)	210	Fluid Capacity	115,4



## P/N XA4.F1.11/12

### 6 PISTON CALIPER

Typical application: GT

#### Mounting information

Trailing	Leading
LH XA4.F1.11	
RH XA4.F1.12	

#### Technical Specifications

Piston Size (mm)	28	Piston Area (cm <sup>2</sup> )	49,13	Mounting Offset (mm)	42
	30	Pad Area (cm <sup>2</sup> )	71	Mounting Hole Dia. (mm)	12,23
	38	Pad Thickness (mm)	31,5	Caliper Body	Monobloc
		Pad Family	164C-C	Caliper Material	Aluminium
		Disc Thickness (mm)	37	Piston Insert	Titanium
		Disc Diameter (mm)	355 - 380	Weight (kg)	3,1
		Mounting Hole Center (mm)	210	Fluid Capacity	120,3



## P/N XA5.C2.01/02

### 6 PISTON CALIPER

Typical application: GT Narrow

#### Mounting information

Trailing	Leading
LH XA5.C2.01	
RH XA5.C2.02	

#### Technical Specifications

Piston Size (mm)	28	Piston Area (cm <sup>2</sup> )	49,13	Mounting Offset (mm)	42
	30	Pad Area (cm <sup>2</sup> )	78,5	Mounting Hole Dia. (mm)	10,23
	38	Pad Thickness (mm)	22 - 25 C-C	Caliper Body	Monobloc
		Pad Family	B24	Caliper Material	Aluminium
		Disc Thickness (mm)	25 - 32	Piston Insert	Titanium
		Disc Diameter (mm)	355 - 380		
			355 C-C - 380 C-C	Weight (kg)	2,57
		Mounting Hole Center (mm)	210	Fluid Capacity	81,07



## P/N XA5.E5.01/02/03/04

### 6 PISTON CALIPER

Typical application: GP2

#### Mounting information

Trailing	Leading
LH XA5.E5.01	LH XA5.E5.03
RH XA5.E5.02	RH XA5.E5.04

#### Technical Specifications

Piston Size (mm)	28	Piston Area (cm <sup>2</sup> )	46,8	Mounting Offset (mm)	51,6
	30	Pad Area (cm <sup>2</sup> )	63	Mounting Hole Dia. (mm)	10,23
	36	Pad Thickness (mm)	23 - 24	Caliper Body	Monobloc
		Pad Family	155C-C	Caliper Material	Aluminium
		Disc Thickness (mm)	26 - 28	Piston Insert	Titanium
		Disc Diameter (mm)	278	Weight (kg)	1,85
		Mounting Hole Center (mm)	152	Fluid Capacity	77,23



## P/N XA6.61.01/02/03/04

### 6 PISTON CALIPER

Typical application: GT

#### Mounting information

Trailing	Leading
LH XA6.61.01	LH XA6.61.03
RH XA6.61.02	RH XA6.61.04

#### Technical Specifications

Piston Size (mm)	28	Piston Area (cm <sup>2</sup> )	49,13	Mounting Offset (mm)	42
	30	Pad Area (cm <sup>2</sup> )	78,5	Mounting Hole Dia. (mm)	12,23
	38	Pad Thickness (mm)	25 - 26,5	Caliper Body	Monobloc
		Pad Family	B24	Caliper Material	Aluminium
		Disc Thickness (mm)	32 - 35	Piston Insert	Steel
		Disc Diameter (mm)	355 - 380	Weight (kg)	2,98
		Mounting Hole Center (mm)	210	Fluid Capacity	102



## P/N XA6.61.21/22/23/24

### 6 PISTON CALIPER

Typical application: GT

#### Mounting information

Trailing	Leading
LH XA6.61.21	LH XA6.61.23
RH XA6.61.22	RH XA6.61.24

#### Technical Specifications

Piston Size (mm)	28	Piston Area (cm <sup>2</sup> )	49,13	Mounting Offset (mm)	42
	30	Pad Area (cm <sup>2</sup> )	78,5	Mounting Hole Dia. (mm)	12,23
	38	Pad Thickness (mm)	25 - 26,5	Caliper Body	Monobloc
		Pad Family	B24	Caliper Material	Aluminium
		Disc Thickness (mm)	32 - 35	Piston Insert	Steel
		Disc Diameter (mm)	355 - 380	Weight (kg)	2,98
		Mounting Hole Center (mm)	210	Fluid Capacity	102



## P/N XA6.H7.01/02

### 6 PISTON CALIPER

Typical application: Grand AM

#### Mounting information

Trailing	Leading
LH XA6.H7.01	
RH XA6.H7.02	

#### Technical Specifications

Piston Size (mm)	28	Piston Area (cm <sup>2</sup> )	49,13	Mounting Offset (mm)	42
	30	Pad Area (cm <sup>2</sup> )	78,5	Mounting Hole Dia. (mm)	12,23
	38	Pad Thickness (mm)	22	Caliper Body	Monobloc
		Pad Family	B24	Caliper Material	Aluminium
		Disc Thickness (mm)	32	Piston Insert	Steel
		Disc Diameter (mm)	355 - 380	Weight (kg)	2,97
		Mounting Hole Center (mm)	210	Fluid Capacity	81,7



## P/N XA8.31.01/02 6 PISTON CALIPER

Typical application: GT CARBON



### Mounting information

Trailing	Leading
LH XA8.31.01	
RH XA8.31.02	

### Technical Specifications

Piston Size (mm)	28	Piston Area (cm <sup>2</sup> )	49,13	Mounting Offset (mm)	42
	30	Pad Area (cm <sup>2</sup> )	80	Mounting Hole Dia. (mm)	12,23
	38	Pad Thickness (mm)	31,5 C-C	Caliper Body	Monobloc
		Pad Family	-	Caliper Material	Aluminium
		Disc Thickness (mm)	35 C-C	Piston Insert	Titanium
		Disc Diameter (mm)	355 C-C - 390 C-C	Weight (kg)	2,44
		Mounting Hole Center (mm)	210	Fluid Capacity	121

## P/N XA8.31.11/12 6 PISTON CALIPER

Typical application: GT



### Mounting information

Trailing	Leading
LH XA8.31.11	
RH XA8.31.12	

### Technical Specifications

Piston Size (mm)	28	Piston Area (cm <sup>2</sup> )	49,13	Mounting Offset (mm)	42
	30	Pad Area (cm <sup>2</sup> )	78,5	Mounting Hole Dia. (mm)	12,23
	38	Pad Thickness (mm)	29	Caliper Body	Monobloc
		Pad Family	B24	Caliper Material	Aluminium
		Disc Thickness (mm)	32 - 35	Piston Insert	Titanium
		Disc Diameter (mm)	355 - 390	Weight (kg)	2,44
		Mounting Hole Center (mm)	210	Fluid Capacity	116

## P/N XA8.31.21/22 6 PISTON CALIPER

Typical application: GT CARBON



### Mounting information

Trailing	Leading
LH XA8.31.21	
RH XA8.31.22	

### Technical Specifications

Piston Size (mm)	28	Piston Area (cm <sup>2</sup> )	49,13	Mounting Offset (mm)	42
	30	Pad Area (cm <sup>2</sup> )	80	Mounting Hole Dia. (mm)	12,23
	38	Pad Thickness (mm)	31,5 C-C	Caliper Body	Monobloc
		Pad Family	-	Caliper Material	Aluminium
		Disc Thickness (mm)	35 C-C	Piston Insert	Titanium
		Disc Diameter (mm)	355 C-C - 390 C-C	Weight (kg)	2,5
		Mounting Hole Center (mm)	210	Fluid Capacity	121

## P/N XA8.31.31/32

### 6 PISTON CALIPER

Typical application: GT

#### Mounting information

Trailing	Leading
LH XA8.31.31	
RH XA8.31.32	

#### Technical Specifications

Piston Size (mm)	28	Piston Area (cm <sup>2</sup> )	49,13	Mounting Offset (mm)	42
	30	Pad Area (cm <sup>2</sup> )	78,5	Mounting Hole Dia. (mm)	12,23
	38	Pad Thickness (mm)	29	Caliper Body	Monobloc
		Pad Family	B24	Caliper Material	Aluminium
		Disc Thickness (mm)	32 - 35	Piston Insert	Titanium
		Disc Diameter (mm)	355 - 390	Weight (kg)	2,5
		Mounting Hole Center (mm)	210	Fluid Capacity	116



## P/N XA8.J1.01/02

### 6 PISTON CALIPER

Typical application: GT CARBON

#### Mounting information

Trailing	Leading
LH XA8.J1.01	
RH XA8.J1.02	

#### Technical Specifications

Piston Size (mm)	28	Piston Area (cm <sup>2</sup> )	49,13	Mounting Offset (mm)	42
	30	Pad Area (cm <sup>2</sup> )	78,5	Mounting Hole Dia. (mm)	10,48
	38	Pad Thickness (mm)	26 C-C	Caliper Body	Monobloc
		Pad Family	-	Caliper Material	Aluminium
		Disc Thickness (mm)	32 C-C	Piston Insert	Titanium
		Disc Diameter (mm)	355 C-C - 380 C-C	Weight (kg)	2,27
		Mounting Hole Center (mm)	210	Fluid Capacity	86



## P/N XA8.J1.11/12/13/14

### 6 PISTON CALIPER

Typical application: GT CARBON

#### Mounting information

Trailing	Leading
LH XA8.J1.11	LH XA8.J1.13
RH XA8.J1.12	RH XA8.J1.14

#### Technical Specifications

Piston Size (mm)	28	Piston Area (cm <sup>2</sup> )	49,13	Mounting Offset (mm)	42
	30	Pad Area (cm <sup>2</sup> )	78,5	Mounting Hole Dia. (mm)	12,45
	38	Pad Thickness (mm)	26 C-C	Caliper Body	Monobloc
		Pad Family	-	Caliper Material	Aluminium
		Disc Thickness (mm)	32 C-C	Piston Insert	Titanium
		Disc Diameter (mm)	355 C-C - 380 C-C	Weight (kg)	2,27
		Mounting Hole Center (mm)	210	Fluid Capacity	86



## P/N XA8.Z4.01/02/03/04

### 6 PISTON CALIPER

Typical application: RALLY Raid

#### Mounting information

Trailing	Leading
LH XA8.Z4.01	LH XA8.Z4.03
RH XA8.Z4.02	RH XA8.Z4.04

#### Technical Specifications

Piston Size (mm)	30	Piston Area (cm <sup>2</sup> )	55,35	Mounting Offset (mm)	41,5
	32	Pad Area (cm <sup>2</sup> )	77	Mounting Hole Dia. (mm)	12,23
	40	Pad Thickness (mm)	18	Caliper Body	Monobloc
		Pad Family	B22	Caliper Material	Aluminium
		Disc Thickness (mm)	28 - 30	Piston Insert	Titanium
		Disc Diameter (mm)	320 - 328	Weight (kg)	2,7
		Mounting Hole Center (mm)	200	Fluid Capacity	55,6



## P/N XB0.64.01/02

### 6 PISTON CALIPER

Typical application: GT

#### Mounting information

Trailing	Leading
LH XB0.64.01	
RH XB0.64.02	

#### Technical Specifications

Piston Size (mm)	28	Piston Area (cm <sup>2</sup> )	49,13	Mounting Offset (mm)	42
	30	Pad Area (cm <sup>2</sup> )	78,5	Mounting Hole Dia. (mm)	12,23
	38	Pad Thickness (mm)	29	Caliper Body	Monobloc
		Pad Family	B24	Caliper Material	Aluminium
		Disc Thickness (mm)	32 - 35	Piston Insert	Steel
		Disc Diameter (mm)	355 - 380	Weight (kg)	3,5
		Mounting Hole Center (mm)	210	Fluid Capacity	116



## P/N XB2.22.11/12

### 6 PISTON CALIPER

Typical application: TURISMO

#### Mounting information

Trailing	Leading
LH XB2.22.11	
RH XB2.22.12	

#### Technical Specifications

Piston Size (mm)	32	Piston Area (cm <sup>2</sup> )	61,95	Mounting Offset (mm)	42
	34	Pad Area (cm <sup>2</sup> )	75-95	Mounting Hole Dia. (mm)	12,23
	42	Pad Thickness (mm)	30	Caliper Body	Monobloc
		Pad Family	B21-B22	Caliper Material	Aluminium
		Disc Thickness (mm)	35	Piston Insert	Steel
		Disc Diameter (mm)	328 - 345	Weight (kg)	3,66
		Mounting Hole Center (mm)	210	Fluid Capacity	150



## P/N XB2.V0.01/02

### 6 PISTON CALIPER

Typical application: GT

#### Mounting information

Trailing	Leading
LH XB2.V0.01	
RH XB2.V0.02	

#### Technical Specifications

Piston Size (mm)	28	Piston Area (cm <sup>2</sup> )	49,13	Mounting Offset (mm)	42
	30	Pad Area (cm <sup>2</sup> )	75-95	Mounting Hole Dia. (mm)	12,23
	38	Pad Thickness (mm)	30	Caliper Body	Monobloc
		Pad Family	B21	Caliper Material	Aluminium
		Disc Thickness (mm)	32 - 35	Piston Insert	Titanium
		Disc Diameter (mm)	355 - 390	Weight (kg)	2,83
		Mounting Hole Center (mm)	210	Fluid Capacity	120,6



## P/N XA5.D6.01/02/03/04

### 8 PISTON CALIPER

Typical application: RALLY

#### Mounting information

Trailing	Leading
LH XA5.D6.01	LH XA5.D6.03
RH XA5.D6.02	RH XA5.D6.04

#### Technical Specifications

Piston Size (mm)	26	Piston Area (cm <sup>2</sup> )	53,4	Mounting Offset (mm)	45
	32	Pad Area (cm <sup>2</sup> )	34,1	Mounting Hole Dia. (mm)	12,23
	26	Pad Thickness (mm)	17,5	Caliper Body	Monobloc
	32	Pad Family	tbd	Caliper Material	Aluminium
		Disc Thickness (mm)	30 - 32	Piston Insert	Titanium
		Disc Diameter (mm)	355 - 370	Weight (kg)	2,52
		Mounting Hole Center (mm)	180	Fluid Capacity	96,13



## P/N 22.5882.11/21

### HANDBRAKE CALIPER

Typical application: Various

#### Mounting information

Trailing	Leading
LH 22.5882.11	LH 22.5882.11
RH 22.5882.12	RH 22.5882.12

#### Technical Specifications

Piston Size (mm)	36	Piston Area (cm <sup>2</sup> )	20,35	Mounting Offset (mm)	28,5 - 31,5
		Pad Area (cm <sup>2</sup> )	26	Mounting Hole Dia. (mm)	M10x1.25 M8x1.25
		Pad Thickness (mm)	10	Caliper Body	2 Pieces
		Pad Family	-	Caliper Material	Aluminium
		Disc Thickness (mm)	26 - 32	Piston Insert	-
		Disc Diameter (mm)	335 -355	Weight (kg)	1,7
		Mounting Hole Center (mm)	92 Axial	Fluid Capacity	20,35









1b

CALIPERS  
DRAWINGS

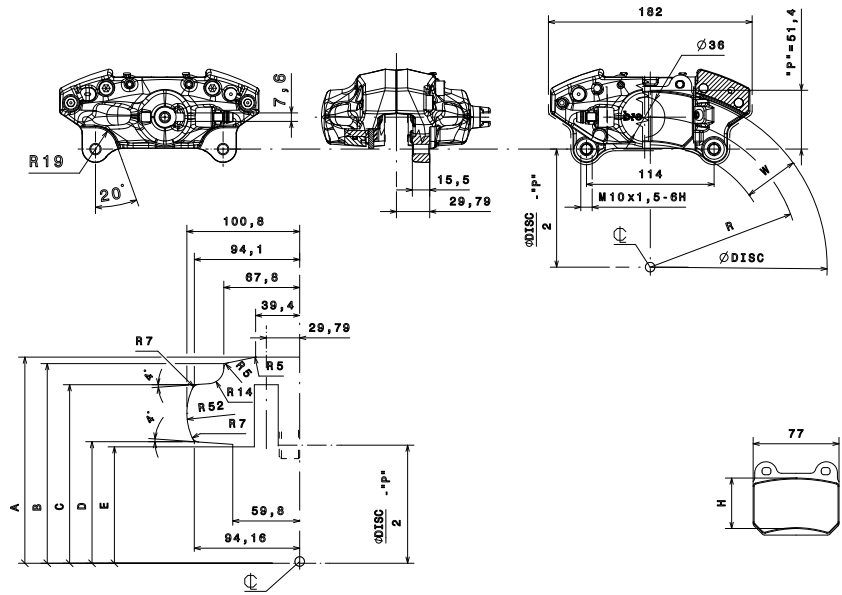


# XA6.L6.11/12

## 2 PISTON CALIPER

Ø DISC	A	B	C	D	E
316	178,4	159,5	108,6	104	-

Ø DISC	R	TH DISC	W (disc)	H (pad)	TH PAD
316	134	20	48,5	44	14,6

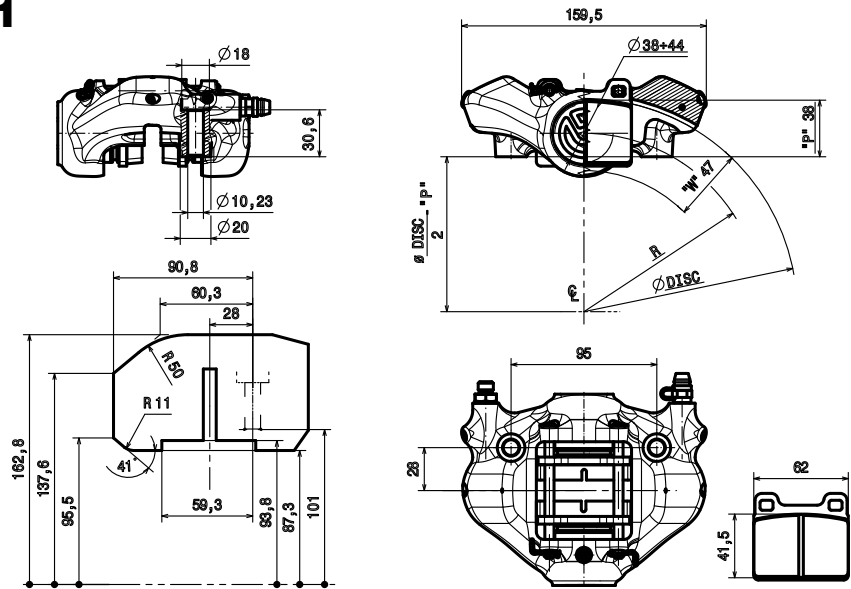


# P/N XA8.U2.01/11/21

## 2 PISTON CALIPER

Ø DISC	A	B	C	D	E
278	162,8	137,6	95,5	-	-

Ø DISC	R	TH DISC	W (disc)	H (pad)	TH PAD
278	116,3	6,4	47	39	15

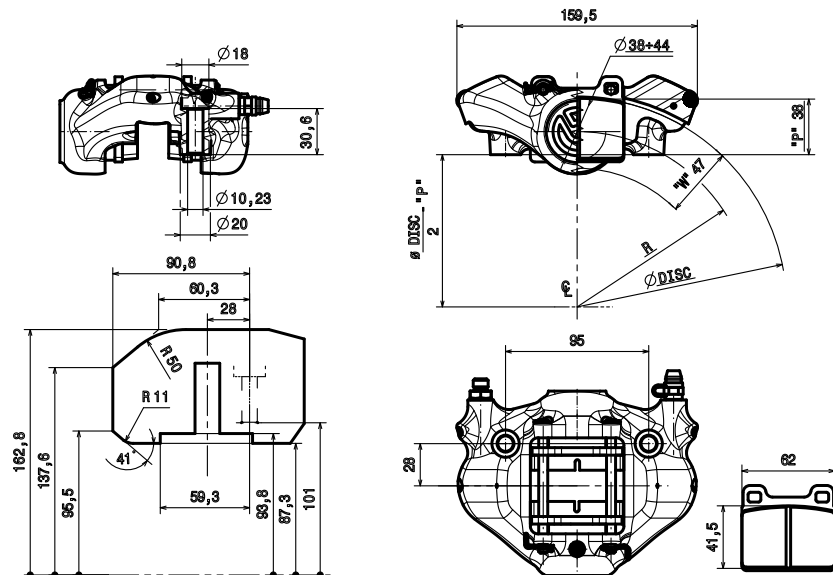


# P/N XA8.U2.41

## 2 PISTON CALIPER

Ø DISC	A	B	C	D	E
278	162,8	137,6	95,5	-	-

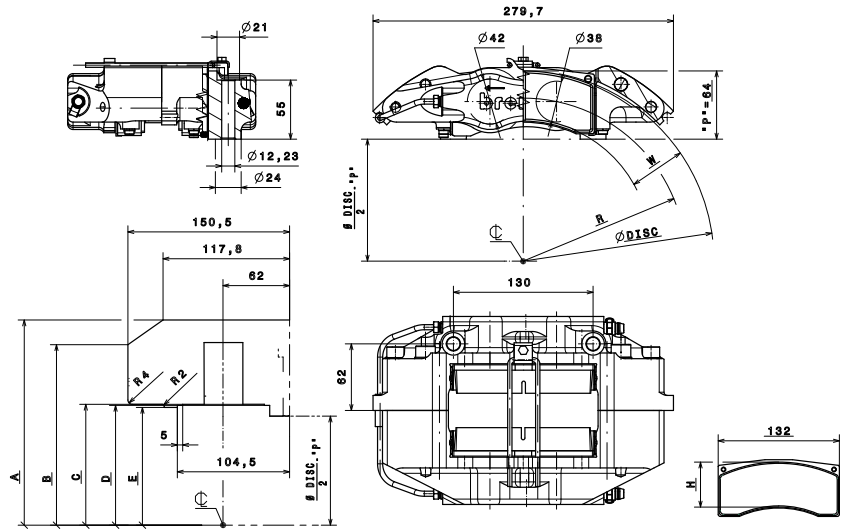
Ø DISC	R	TH DISC	W (disc)	H (pad)	TH PAD
278	116,3	18	47	39	15



## P/N XA2.E7.03/04 4 PISTON CALIPER

Ø DISC	A	B	C	D	E
355	202	179	124	123	121,6
332	191	170	168	112,5	111,5

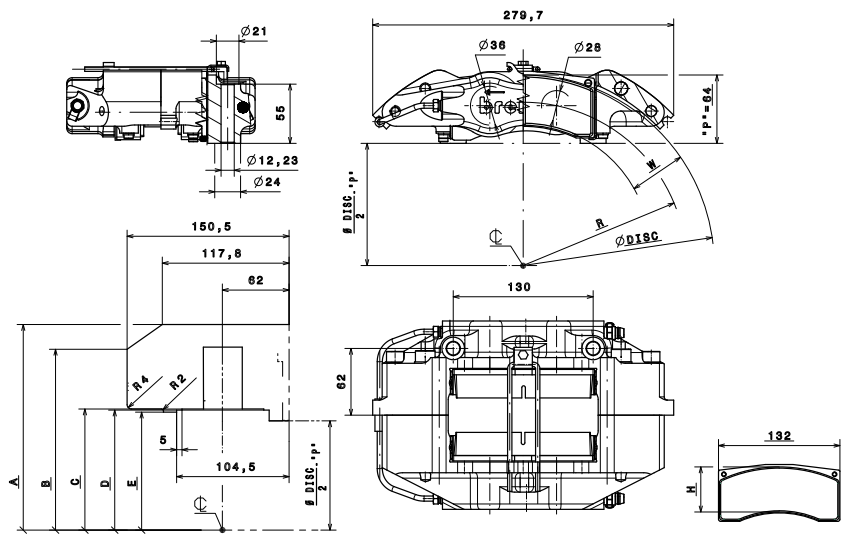
Ø DISC	R	TH DISC (disc)	W (disc)	H (pad)	TH PAD
355 - 332	151,7 - 140	32	53	59	26,5
355 - 332	151,7 - 140	35	53	59	25



## P/N XA2.E7.13/14 4 PISTON CALIPER

Ø DISC	A	B	C	D	E
355	202	179	124	123	121,6
332	191	170	168	112,5	111,5

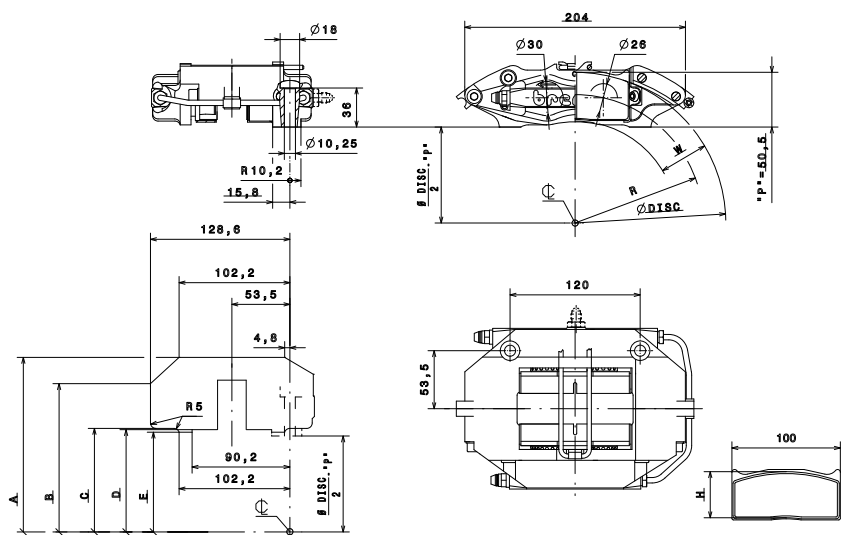
Ø DISC	R	TH DISC (disc)	W (disc)	H (pad)	TH PAD
355 - 332	151,7 - 140	32	53	59	26,5
355 - 332	151,7 - 140	35	53	59	25



## P/N XA3.G2.11/12 4 PISTON CALIPER

Ø DISC	A	B	C	D	E
313	178,5	157,5	154,3	113	111,8
278	161	140	136,8	95,5	94,3

Ø DISC	R	TH DISC (disc)	W (disc)	H (pad)	TH PAD
313	135,5	24 - 25,4	45	43	20
278	118,4	24 - 25,4	45	43	20

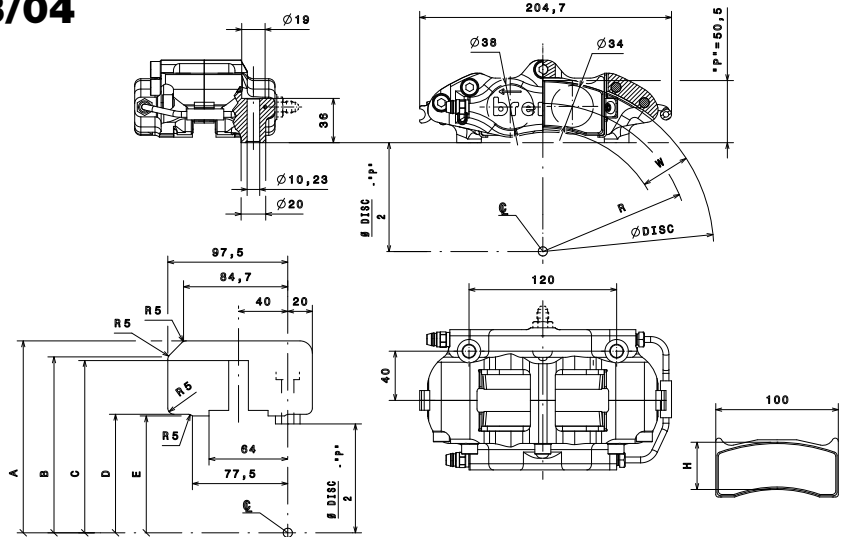


# P/N XA4.10.01/02/03/04

## 4 PISTON CALIPER

Ø DISC	A	B	C	D	E
278	156	143	140	96,35	95

Ø DISC	R	TH DISC (disc)	W (disc)	H (pad)	TH PAD
278	120,4	16	40	39	16

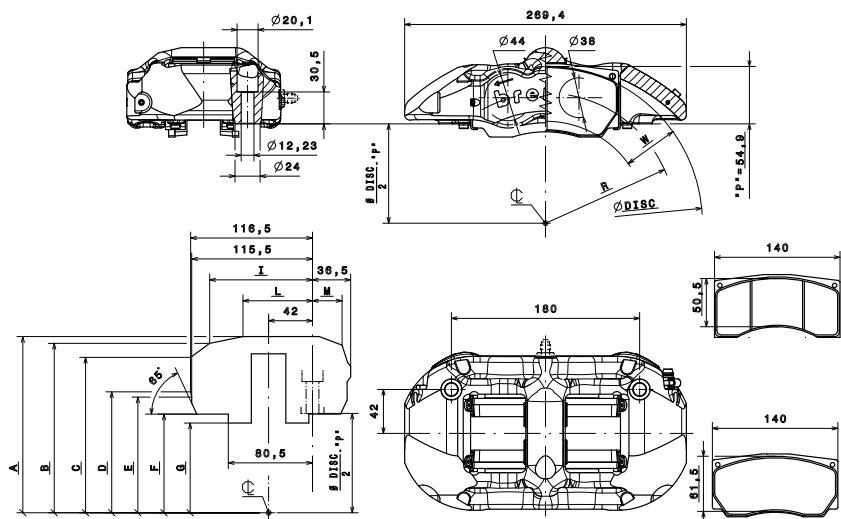


# P/N XA5.T0.03/04

## 4 PISTON CALIPER

Ø DISC	A	B	C	D	E
355	196	189,5	179,5	176,1	143,1
300	176,6	163,3	152	150,7	118,1

Ø DISC	R	TH DISC (disc)	W (disc)	H (pad)	TH PAD
355	151,2	28 - 30 - 32	64	60	17,5
300	124,5	28 - 30 - 32	52,5	48	17,5

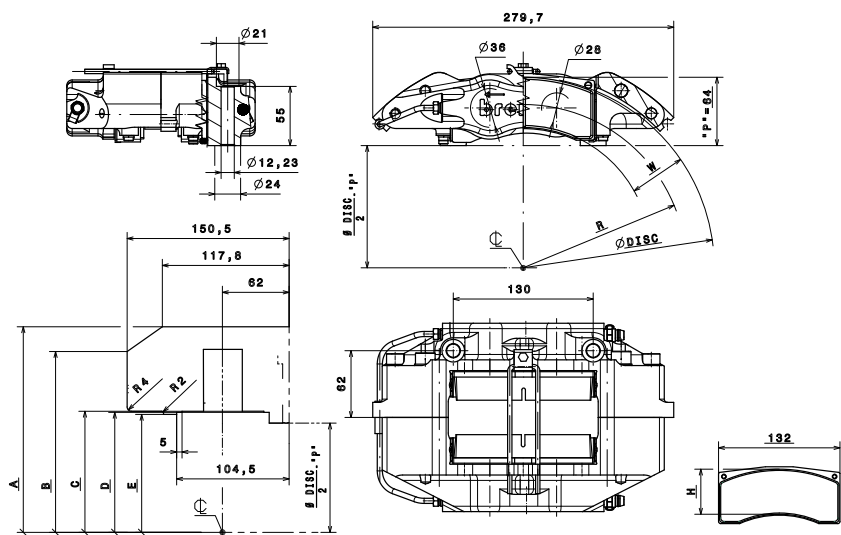


# P/N XA6.H7.13/14

## 4 PISTON CALIPER

Ø DISC	A	B	C	D	E
355	202	179	124,5	123	121,6
332	191	168	112,5	111,5	109,6

Ø DISC	R	TH DISC (disc)	W (disc)	H (pad)	TH PAD
355	151,7	32	53	50	22
332	140	32	53	50	22

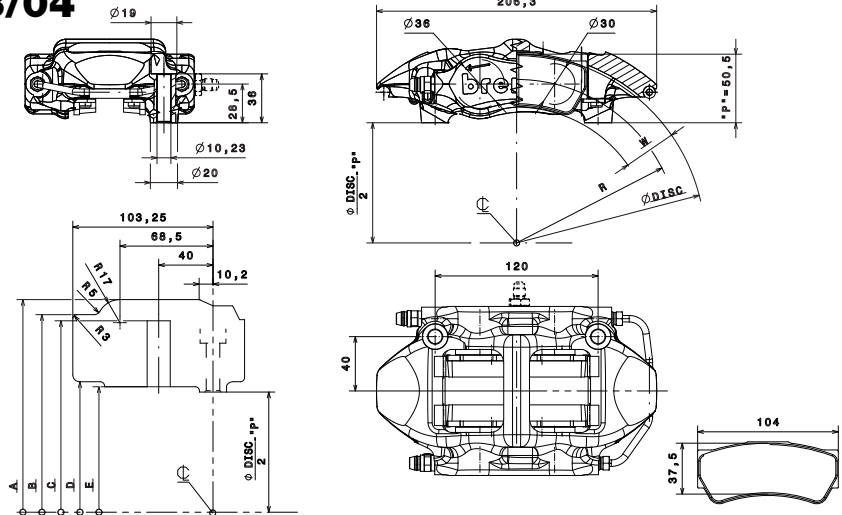


# P/N XA6.S0.01/02/03/04

## 4 PISTON CALIPER

Ø DISC	A	B	C	D	E
278	156,6	145,5	141	96,1	92,4

Ø DISC	R	TH DISC	W (disc)	H (pad)	TH PAD
278	120,4	18	39	37	16

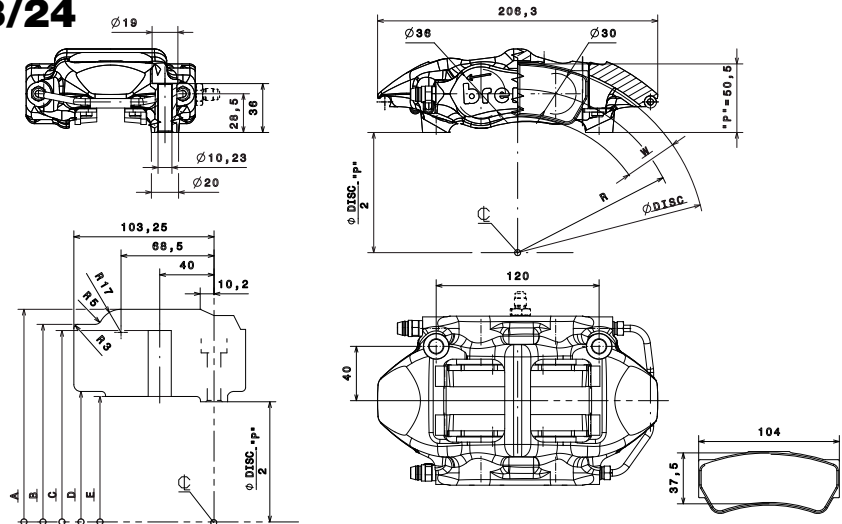


# P/N XA6.S0.21/22/23/24

## 4 PISTON CALIPER

Ø DISC	A	B	C	D	E
278	156,6	145,5	141	96,1	92,4

Ø DISC	R	TH DISC	W (disc)	H (pad)	TH PAD
278	120,4	18	39	37	16

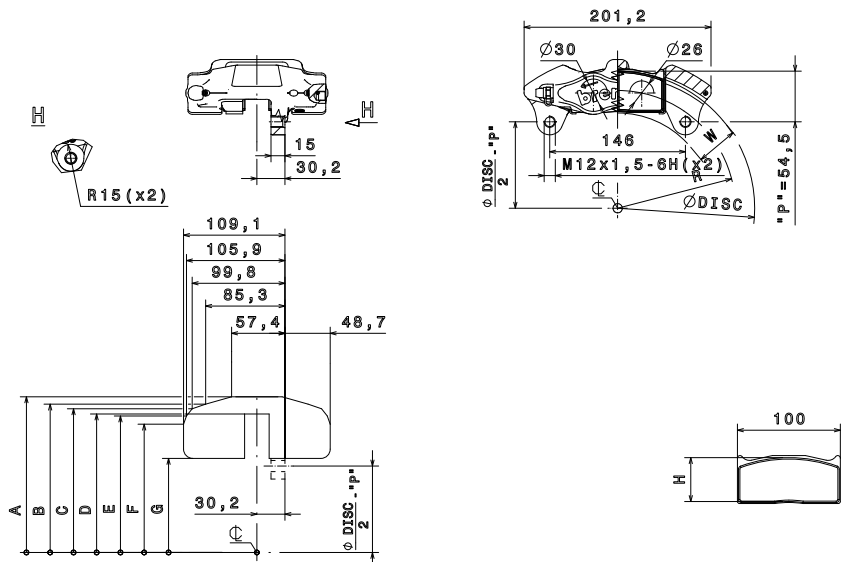


# P/N XA7.G0.11/12

## 4 PISTON CALIPER

Ø DISC	A	B	C	D	E
295	167,5	159,6	154,6	149	146,9

Ø DISC	R	TH DISC	W (disc)	H (pad)	TH PAD
295	126,7	24 - 25,4	45	43	20



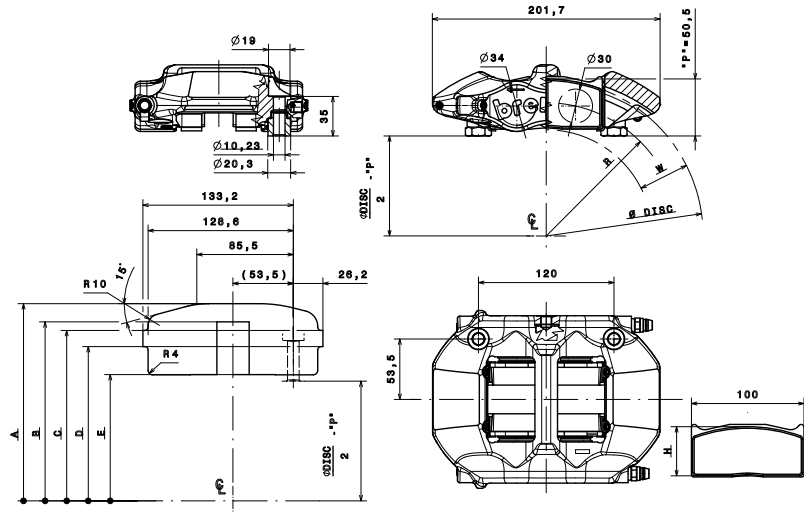
1b

# XA7.G1.13/14

## 4 PISTON CALIPER

Ø DISC	A	B	C	D	E
313	174,6	158,5	150,9	136,6	111,8
278	157,1	141	133,4	119,1	94,3

Ø DISC	R	TH DISC (disc)	W (disc)	H (pad)	TH PAD
313	135	24 - 25,4	45	43	20
278	117,9	24 - 25,4	45	43	20

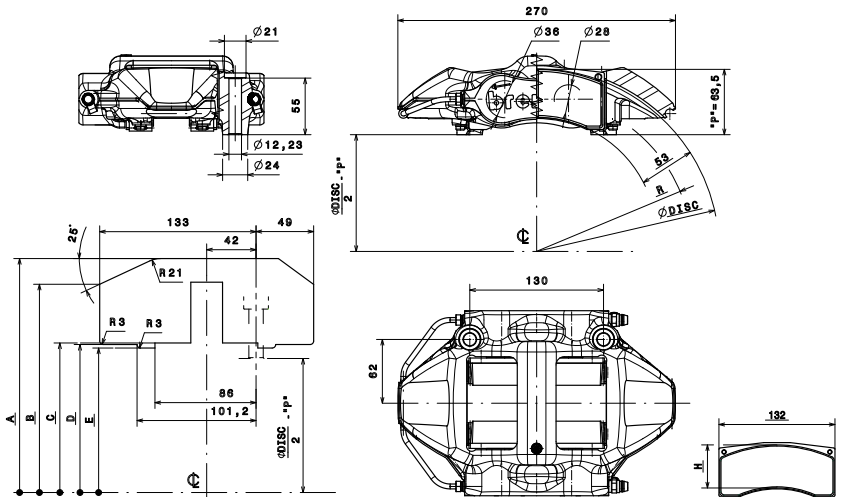


# P/N XA8.30.13/14

## 4 PISTON CALIPER

Ø DISC	A	B	C	D	E
355	199	177,1	127,2	125,9	122,9
332	187,5	165,6	115,7	114,4	111,4

Ø DISC	R	TH DISC (disc)	W (disc)	H (pad)	TH PAD
355	151,2	28 - 32	53	53	26,5
332	140	28 - 32	53	53	26,5

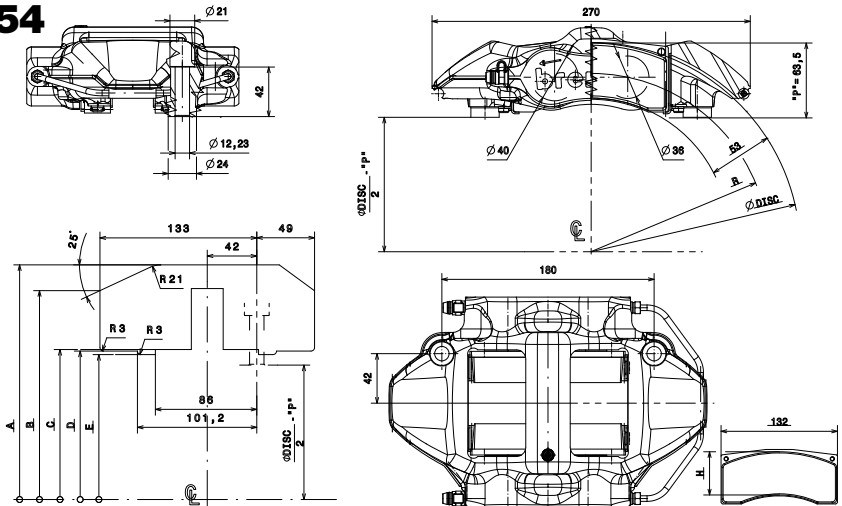


# P/N XA8.30.51/52/53/54

## 4 PISTON CALIPER

Ø DISC	A	B	C	D	E
355	199	177,1	127,2	125,9	122,9
332	187,5	165,6	115,7	114,4	111,4

Ø DISC	R	TH DISC (disc)	W (disc)	H (pad)	TH PAD
355	151,2	28 - 32	53	53	26,5
332	140	28 - 32	53	53	26,5

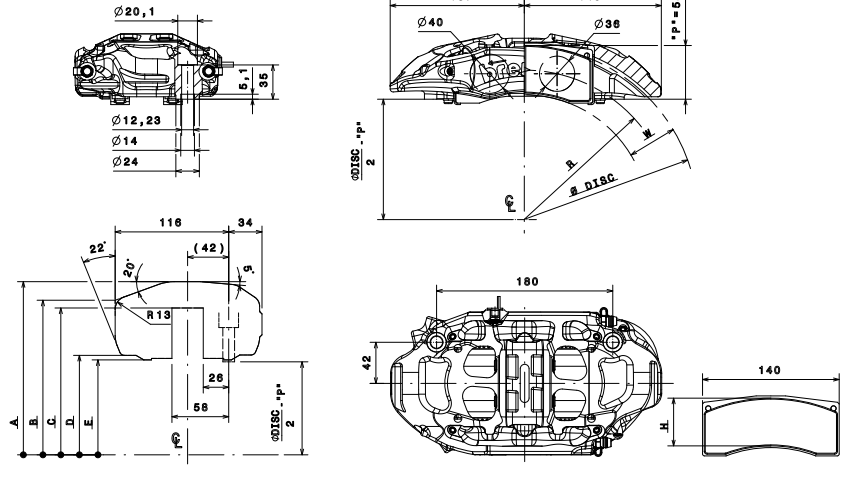


# P/N XA9.Y6.53/54

## 4 PISTON CALIPER

Ø DISC	A	B	C	D	E
355	n.a	n.a	n.a	n.a	n.a
300	n.a	n.a	n.a	n.a	n.a

Ø DISC	R	TH DISC (disc)	W (disc)	H (pad)	TH PAD
355 - 300	152,5 - 126	25,4	52,5	47,7	17,5
355 - 300	152,5 - 126	28	52,5	47,7	17,5
355 - 300	152,5 - 126	30	52,5	47,7	17,5
355 - 300	152,5 - 126	32	52,5	47,7	17,5

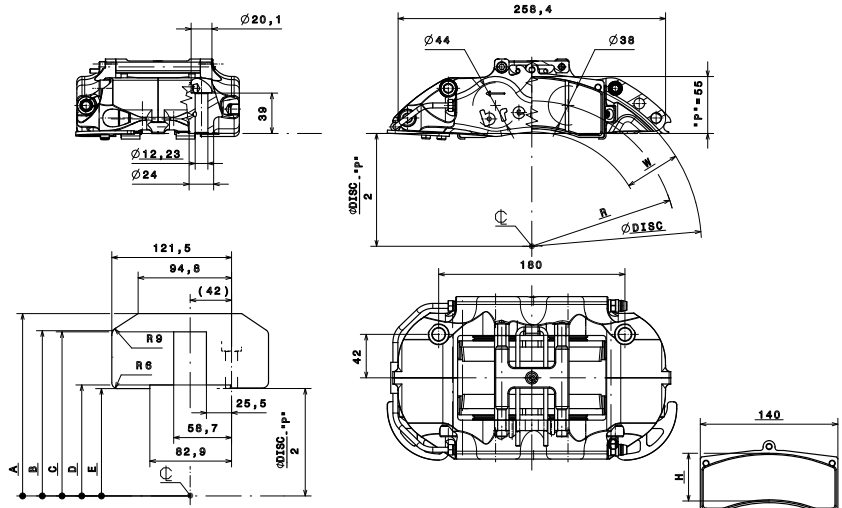


# XB0.77.03/04

## 4 PISTON CALIPER

Ø DISC	A	B	C	D	E
311	n.a	n.a	n.a	n.a	n.a
328	185	167,7	166,5	112,6	108,9

Ø DISC	R	TH DISC (disc)	W (disc)	H (pad)	TH PAD
311	132,3	28 - 30	3253,5	49	20
328	140,5	28 - 30	3253,5	49	20

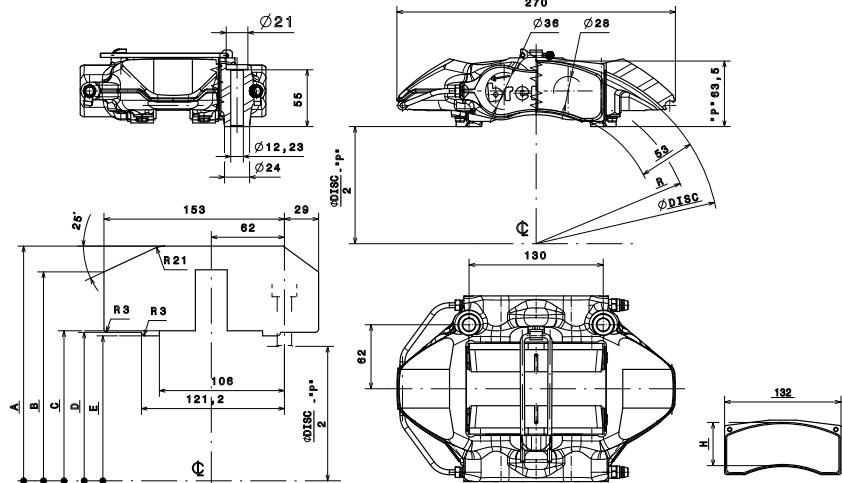


# P/N XB0.L2.13/14

## 4 PISTON CALIPER

Ø DISC	A	B	C	D	E
355	n.a	n.a	n.a	n.a	n.a
332	n.a	n.a	n.a	n.a	n.a

Ø DISC	R	TH DISC (disc)	W (disc)	H (pad)	TH PAD
355	151,2	28 - 32	53	49	26,5
332	140	28 - 32	53	49	26,5



1b

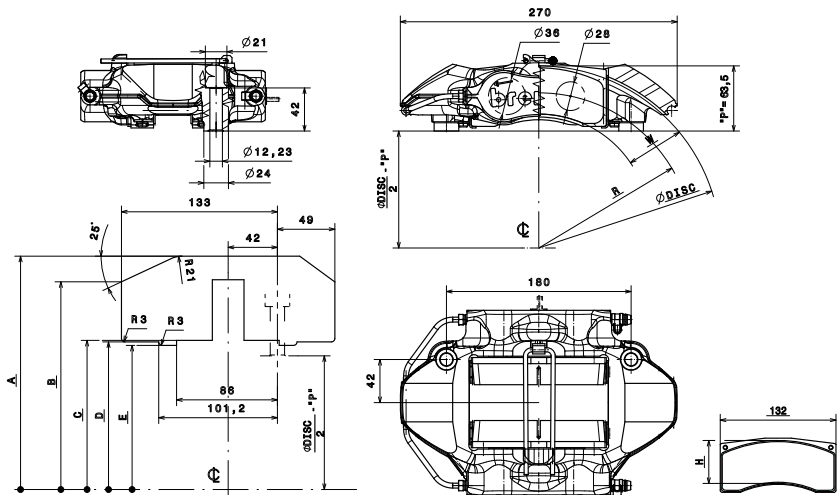


# **XB0.L2.53/54**

## **4 PISTON CALIPER**

Ø DISC	A	B	C	D	E
332	n.a.	n.a.	n.a.	n.a.	n.a.
355	n.a.	n.a.	n.a.	n.a.	n.a.

Ø DISC	R	TH DISC (disc)	W (disc)	H (pad)	TH PAD
332	140	28 - 32	53	49	26,5
355	151,2	28 - 32	53	49	26,5

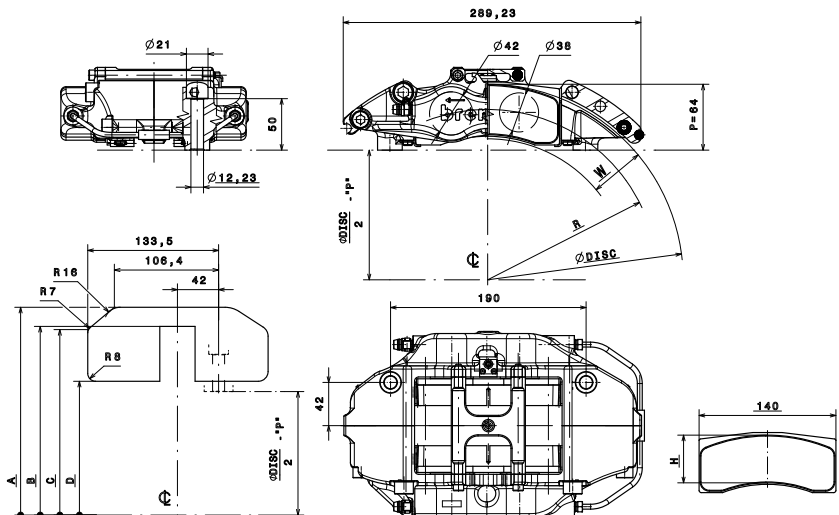


# **XB1.05.11/12**

## **4 PISTON CALIPER**

Ø DISC	A	B	C	D	E
355	n.a.	n.a.	n.a.	n.a.	n.a.
380	212	192,5	189,2	136,5	n.a.

Ø DISC	R	TH DISC (disc)	W (disc)	H (pad)	TH PAD
355	153,23	32-35	53,5	49	25
380	165,5	32-35	53,5	49	25

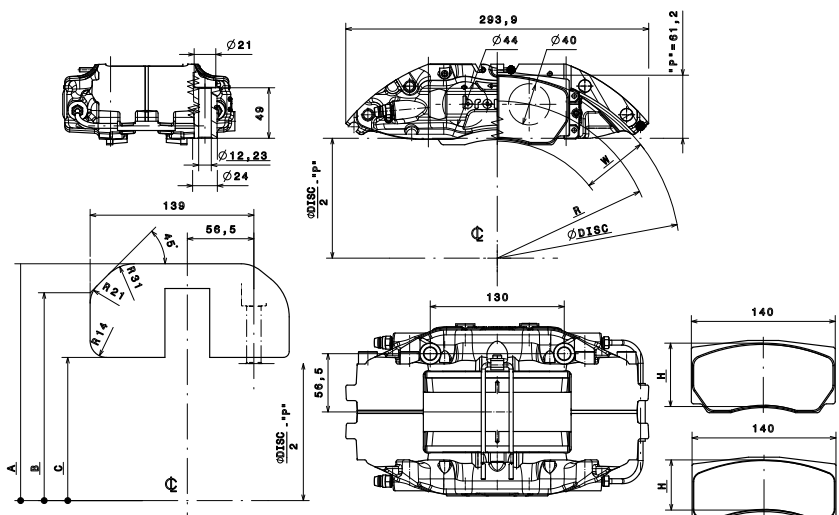


# **XB1.E7.01/02/03/04**

## **4 PISTON CALIPER**

Ø DISC	A	B	C	D	E
328	n.a.	n.a.	n.a.	n.a.	n.a.
355	201	180	176,5	122,3	121,5

Ø DISC	R	TH DISC (disc)	W (disc)	H (pad)	TH PAD
328	139,24	32 - 35	53,5	49	20
355	152,45	32 - 35	53,5	49	20

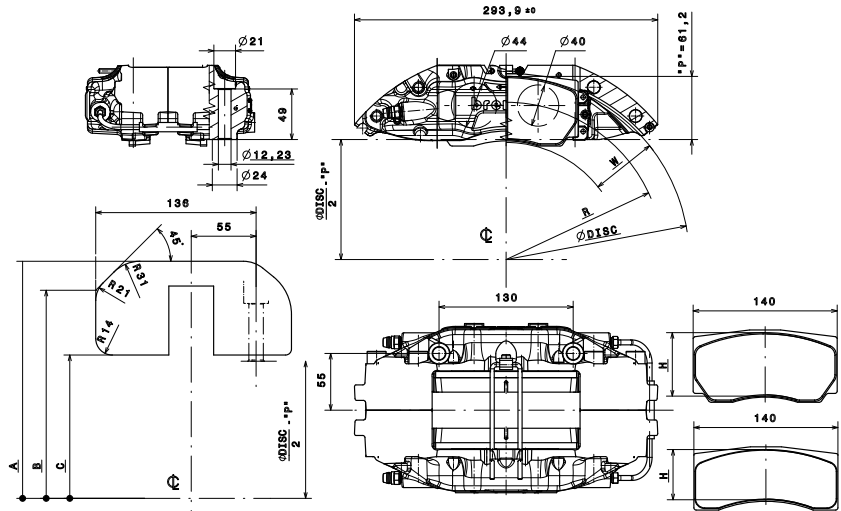


# XB1.E7.11/12/13/14

## 4 PISTON CALIPER

Ø DISC	A	B	C	D	E
328	n.a.	n.a.	n.a.	n.a.	n.a.
355	201	180	176,5	122,3	121,5

Ø DISC	R	TH DISC	W (disc)	H (pad)	TH PAD
328	139,24	28 - 32	53,5	49	20
355	152,45	28 - 32	53,5	49	20

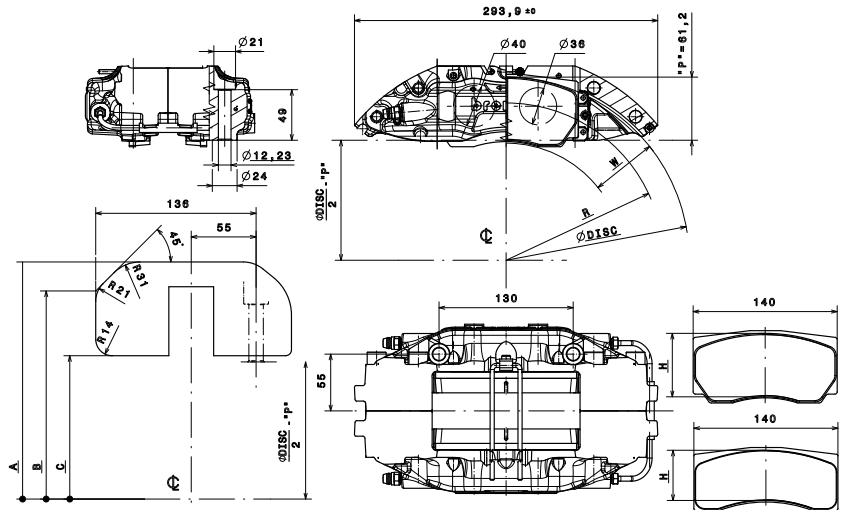


# XB1.E7.21/22/23/24

## 4 PISTON CALIPER

Ø DISC	A	B	C	D	E
328	n.a.	n.a.	n.a.	n.a.	n.a.
355	201	180	176,5	122,3	121,5

Ø DISC	R	TH DISC	W (disc)	H (pad)	TH PAD
328	139,24	28 - 32	53,5	49	20
355	152,45	28 - 32	53,5	49	20

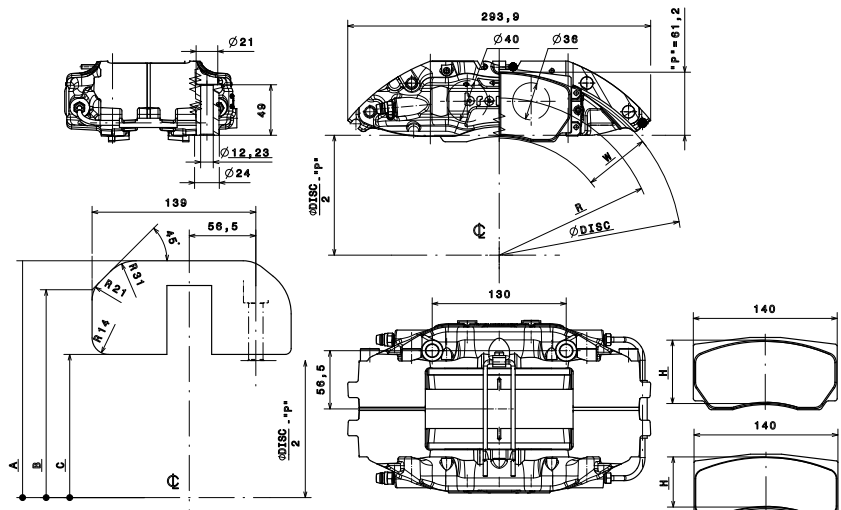


# XB1.E7.31/32/33/34

## 4 PISTON CALIPER

Ø DISC	A	B	C	D	E
328	n.a.	n.a.	n.a.	n.a.	n.a.
355	201	180	176,5	122,3	121,5

Ø DISC	R	TH DISC	W (disc)	H (pad)	TH PAD
328	139,24	32 - 35	53,5	49	20
355	152,45	32 - 35	53,5	49	20



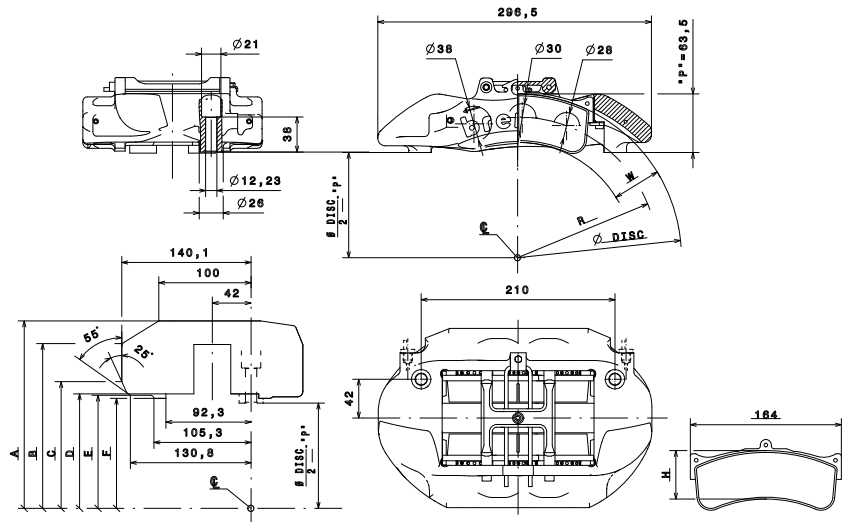
1b

# P/N XA4.F1.01/02

## 6 PISTON CALIPER

Ø DISC	A	B	C	D	E
380	211,25	192	149,8	136,5	133,3
355	203,1	178,5	137,3	124	122,5

Ø DISC	R	TH DISC	W (disc)	H (pad)	TH PAD
380	164,5	32-35	52,5	52	29
355	152,5	32-35	52,5	52	29

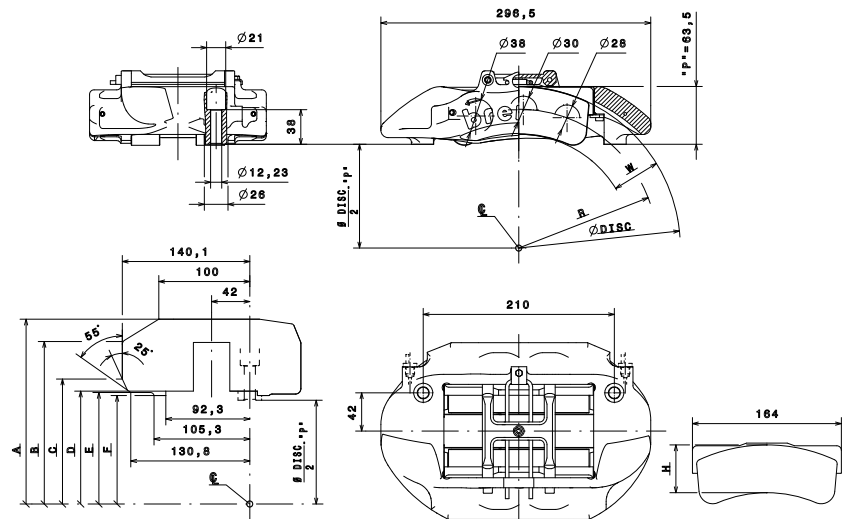


# P/N XA4.F1.11/12

## 6 PISTON CALIPER

Ø DISC	A	B	C	D	E
380	211,25	192	149,8	136,5	133,3
355	203,1	178,5	137,3	124	122,5

Ø DISC	R	TH DISC	W (disc)	H (pad)	TH PAD
380	164,5	37	48-52,5	52	31,5
355	152,5	37	48-52,5	52	31,5

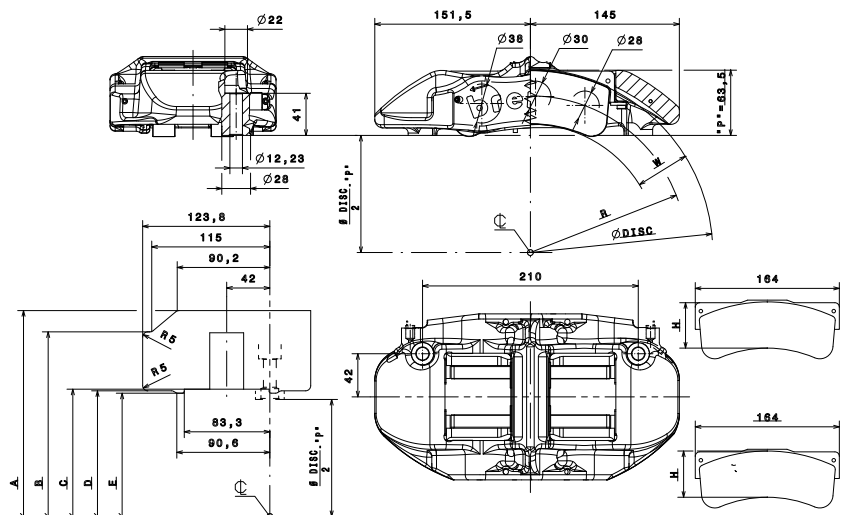


# P/N XA5.C2.01/02

## 6 PISTON CALIPER

Ø DISC	A	B	C	D	E
380	213	192,3	136,5	134,9	132,6
355	198,5	177	120	119	116

Ø DISC	R	TH DISC	W (disc)	H (pad)	TH PAD
380	164,5	25-32	52,5	52	22
355	152,5	25-32	52,5	52	22
380 C-C	164,5	25-32	52,5	52	25
355 C-C	152,5	25-32	52,5	52	25

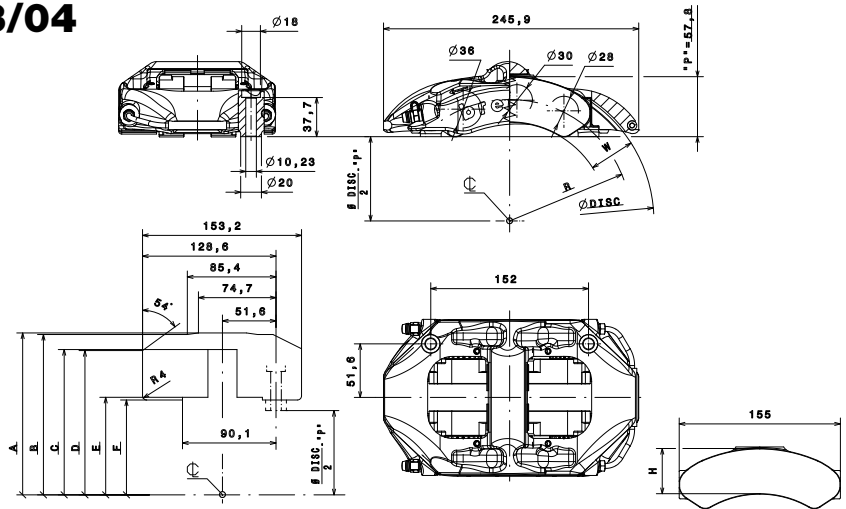


## P/N XA5.E5.01/02/03/04

### 6 PISTON CALIPER

Ø DISC	A	B	C	D	E
278	156	154,5	140	139	94

Ø DISC	R	TH DISC (disc)	W (disc)	H (pad)	TH PAD
278	117	26	44	44	24
278	117	28	44	44	23

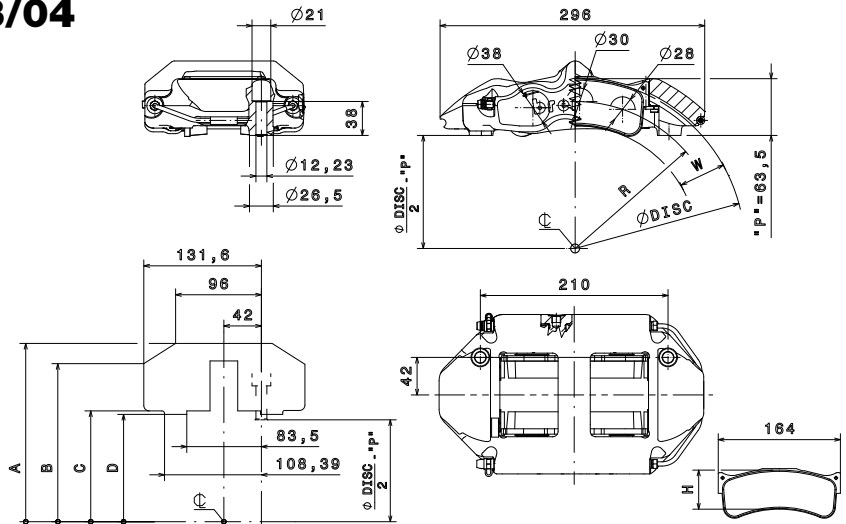


## P/N XA6.61.01/02/03/04

### 6 PISTON CALIPER

Ø DISC	A	B	C	D	E
380	212	189,4	136,5	132,6	-
355	199,5	176,9	124	120,1	-

Ø DISC	R	TH DISC (disc)	W (disc)	H (pad)	TH PAD
380	164,5	32 - 35	52,5	52	26,5 - 25
355	152,5	32 - 35	52,5	52	26,5 - 25

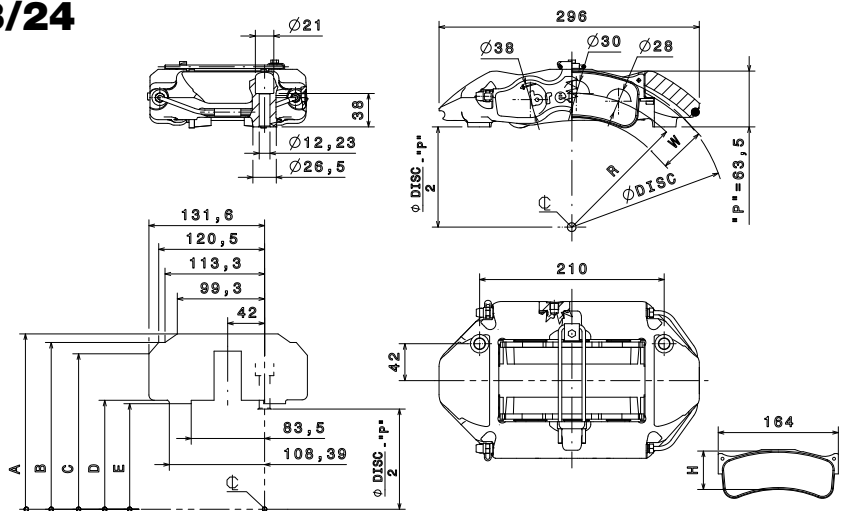


## P/N XA6.61.21/22/23/24

### 6 PISTON CALIPER

Ø DISC	A	B	C	D	E
380	212	189,4	136,5	132,6	-
355	199,5	176,9	124	120,1	-

Ø DISC	R	TH DISC (disc)	W (disc)	H (pad)	TH PAD
380	164,5	32 - 35	52,5	52	26,5 - 25
355	152,5	32 - 35	52,5	52	26,5 - 25



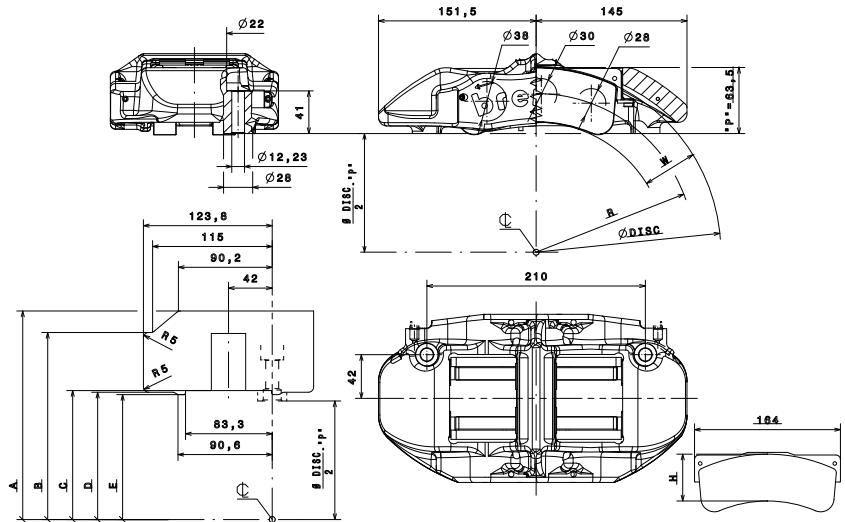
# P/N XA6.H7.01/02

## 6 PISTON CALIPER

Ø DISC	A	B	C	D	E
380	213	192,3	136,5	134,9	132,6
355	198,5	177	120	119	116

Ø DISC	R	TH DISC	W (disc)	H (pad)	TH PAD
380	164,5	32	52,5	52	22
355	152,5	32	52,5	52	22



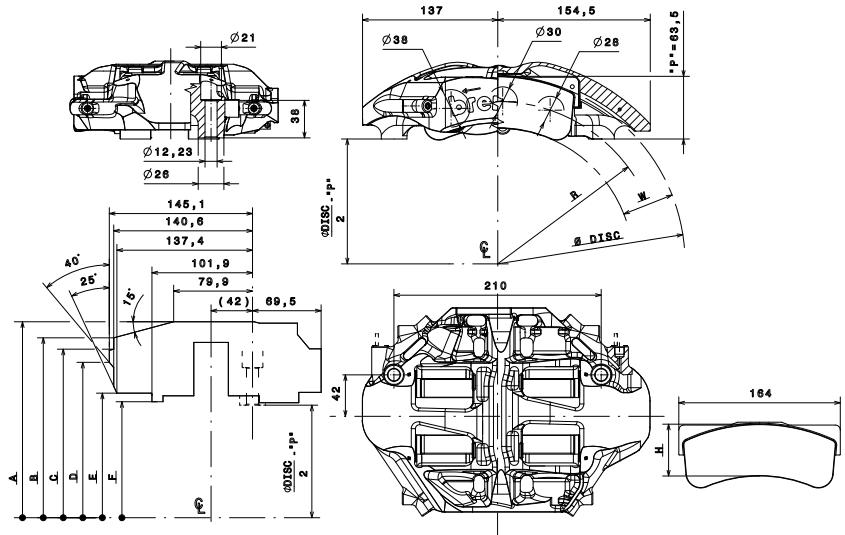
# P/N XA8.31.01/02

## 6 PISTON CALIPER

Ø DISC	A	B	C	D	E
390 C-C	221,25	194,7	182	169,9	138,7
355 C-C	198,75	182,2	170,7	157,4	126,2

Ø DISC	R	TH DISC	W (disc)	H (pad)	TH PAD
390 C-C	169,5	35	52,5	52	31,5
355 C-C	152,5	35	52,5	52	31,5



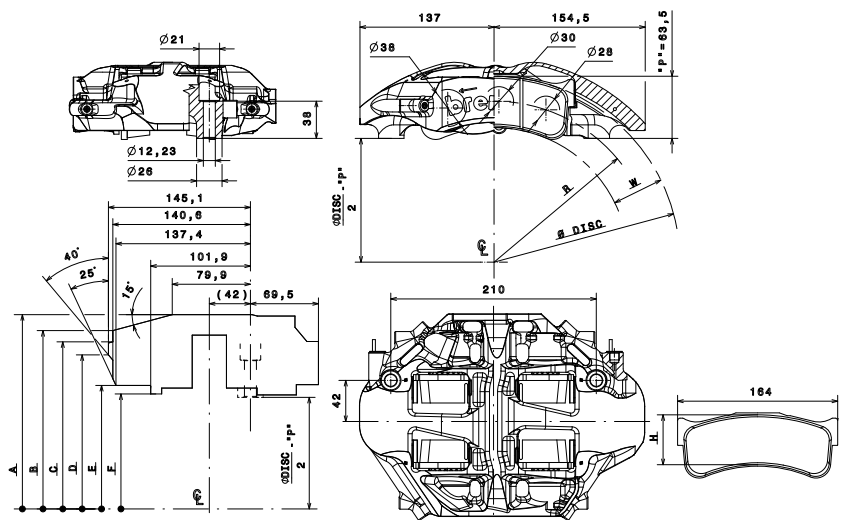
# P/N XA8.31.11/12

## 6 PISTON CALIPER

Ø DISC	A	B	C	D	E
390	221,25	194,7	182	169,9	138,7
355	198,75	182,2	170,7	157,4	126,2

Ø DISC	R	TH DISC	W (disc)	H (pad)	TH PAD
390	169,5	32 - 35	52,5	52	29
355	152,5	32 - 35	52,5	52	29

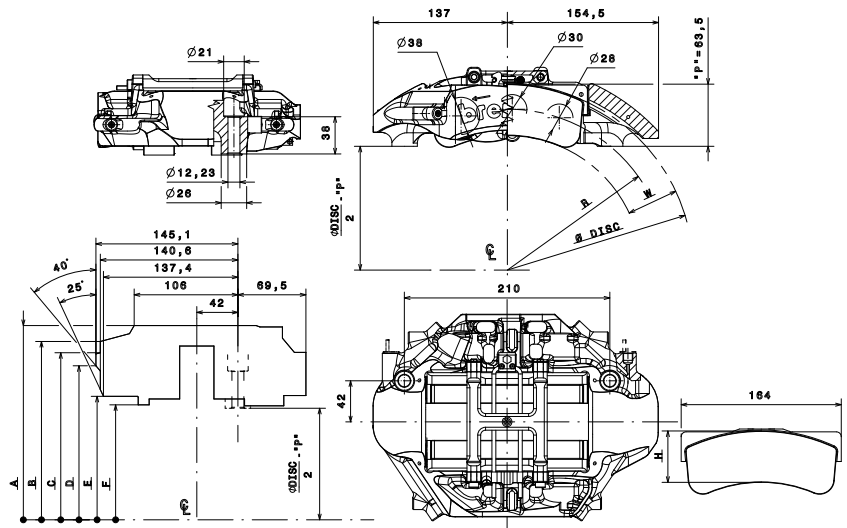


# P/N XA8.31.21/22

## 6 PISTON CALIPER

Ø DISC	A	B	C	D	E
390 C-C	221,25	194,7	182	169,9	138,7
355 C-C	198,75	182,2	170,7	157,4	126,2

Ø DISC	R	TH DISC	W (disc)	H (pad)	TH PAD
390 C-C	169,5	35	52,5	52	31,5
355 C-C	152,5	35	52,5	52	31,5

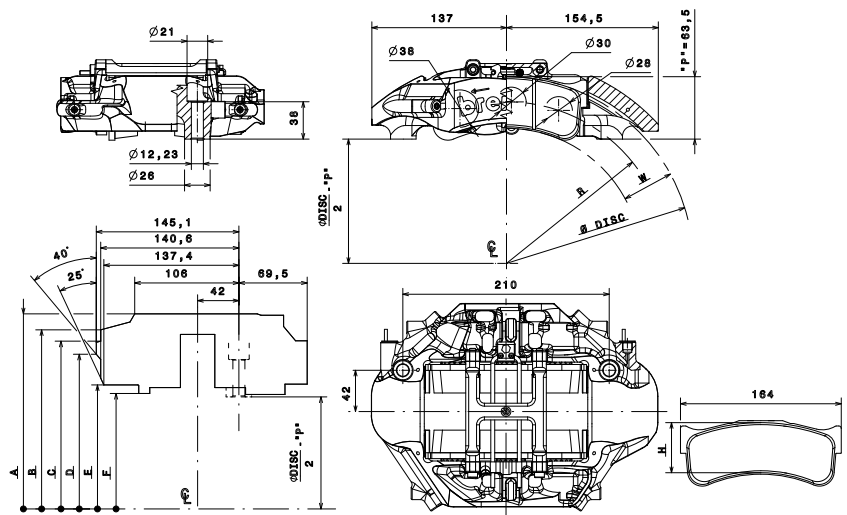


# P/N XA8.31.31/32

## 6 PISTON CALIPER

Ø DISC	A	B	C	D	E
390	221,25	194,7	182	169,9	138,7
355	198,75	182,2	170,7	157,4	126,2

Ø DISC	R	TH DISC	W (disc)	H (pad)	TH PAD
390	169,5	32-35	52,5	52	29
355	152,5	32-35	52,5	52	29

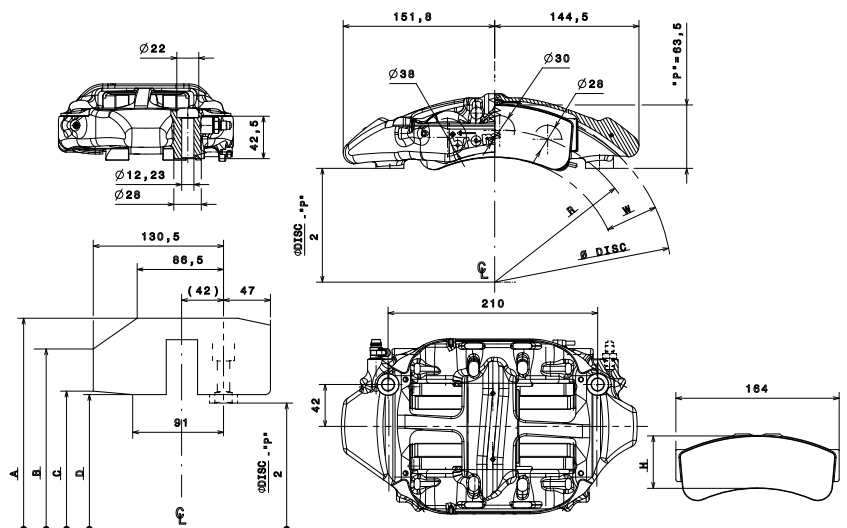


# P/N XA8.J1.01/02

## 6 PISTON CALIPER

Ø DISC	A	B	C	D	E
380 C-C	211,5	180,7	138,5	135	-
355 C-C	199	168,2	126	122,5	-

Ø DISC	R	TH DISC	W (disc)	H (pad)	TH PAD
380 C-C	164,5	32	52,5	52	26
355 C-C	152,5	32	52,5	52	26



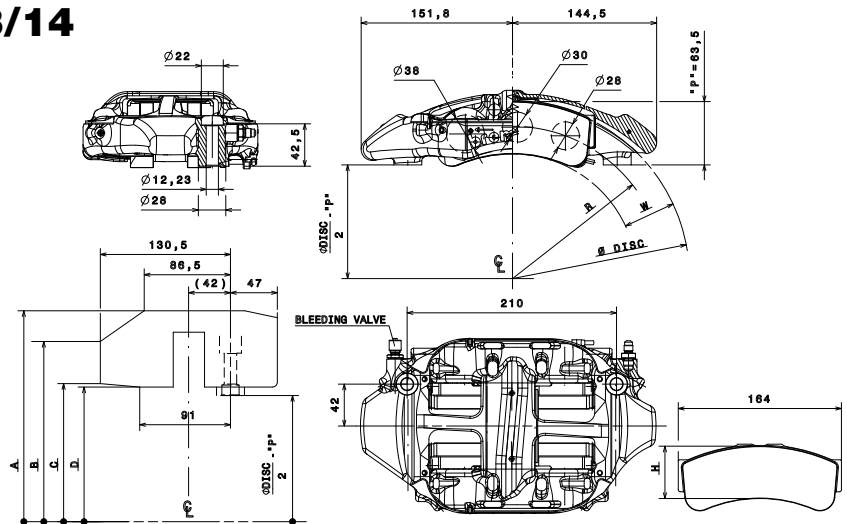
# P/N XA8.J1.11/12/13/14

## 6 PISTON CALIPER

Ø DISC	A	B	C	D	E
380 C-C	211,5	180,7	138,5	135	-
355 C-C	199	168,2	126	122,5	-

Ø DISC	R	TH DISC	W (disc)	H (pad)	TH PAD
380 C-C	164,5	32	52,5	52	26
355 C-C	152,5	32	52,5	52	26



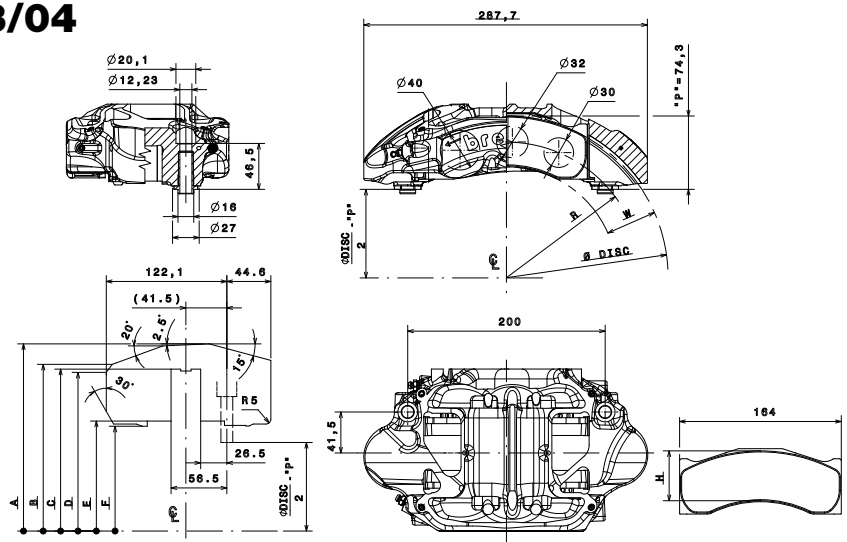
# P/N XA8.Z4.01/02/03/04

## 6 PISTON CALIPER

Ø DISC	A	B	C	D	E
328	n.a.	n.a.	n.a.	n.a.	n.a.
320	n.a.	n.a.	n.a.	n.a.	n.a.

Ø DISC	R	TH DISC	W (disc)	H (pad)	TH PAD
328	137,75	28-30	52,5	50	18
320	133,75	28-30	52,5	50	18



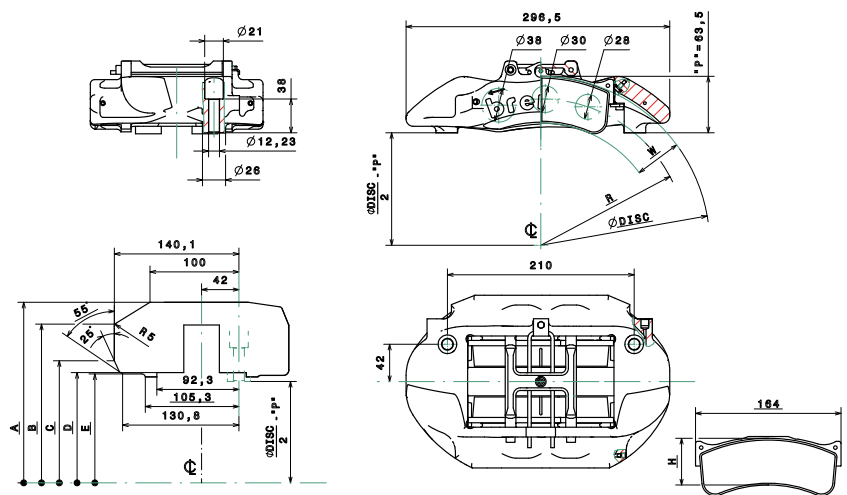
# P/N XB0.64.01/02

## 6 PISTON CALIPER

Ø DISC	A	B	C	D	E
355	203,01	178,5	137,3	124	122,5
380	211,25	192	149,8	136,5	133,3

Ø DISC	R	TH DISC	W (disc)	H (pad)	TH PAD
355	152,5	32-35	52,5	49	29
380	164,5	32-35	52,5	49	29

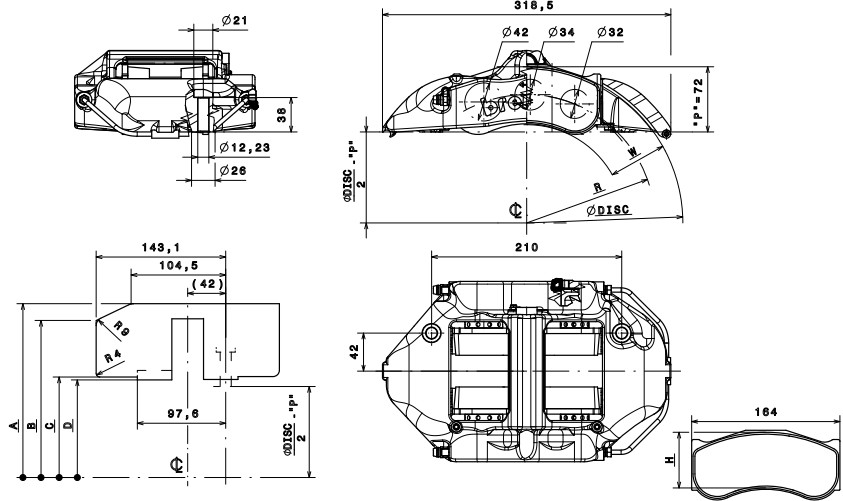


## P/N XB2.22.11/12

### 6 PISTON CALIPER

Ø DISC	A	B	C	D	E
328	n.a.	n.a.	n.a.	n.a.	n.a.
345	192	175,3	173,5	n.a.	n.a.

Ø DISC	R	TH DISC	W (disc)	H (pad)	TH PAD
328	133,55	35	53,5	49	30
345	141,75	35	53,5	49	30

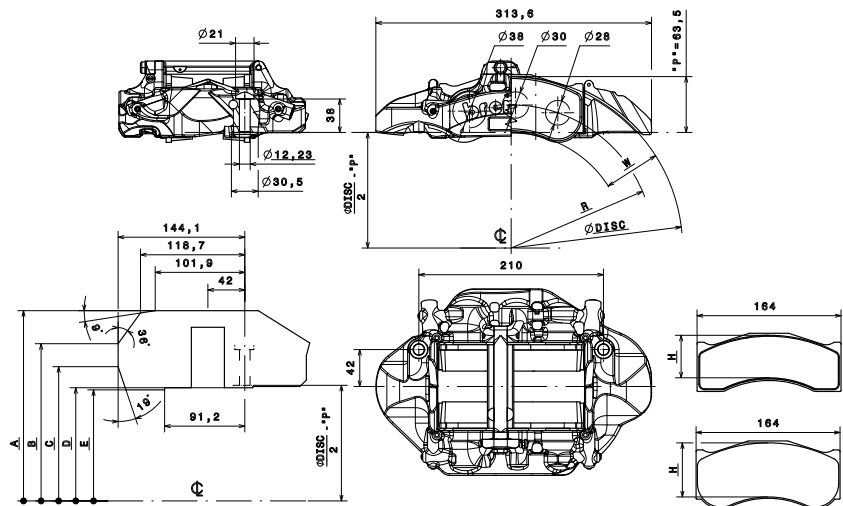


## P/N XB2.V0.01/02

### 6 PISTON CALIPER

Ø DISC	A	B	C	D	E
355	n.a.	n.a.	n.a.	n.a.	n.a.
390	216,04	197,5	178,8	152,7	141,5

Ø DISC	R	TH DISC	W (disc)	H (pad)	TH PAD
355	145,8	32-35	64	64	30
390	162,8	32-35	64	64	30

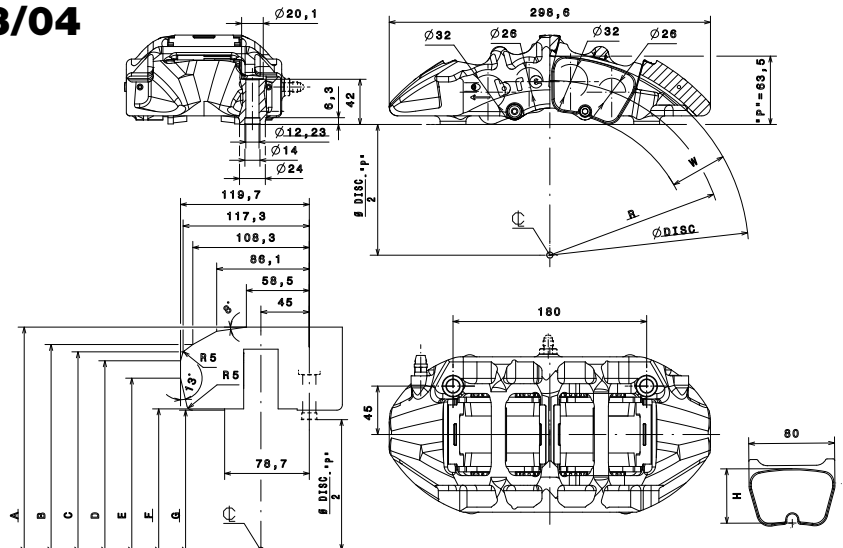


## P/N XA5.D6.01/02/03/04

### 8 PISTON CALIPER

Ø DISC	A	B	C	D	E
370	207,5	191,3	187	184,5	176,2
355	200	183,8	179,5	177	168,7

Ø DISC	R	TH DISC	W (disc)	H (pad)	TH PAD
370	162,4	30-32	52,5	50	17,5
355	155	30-32	52,5	50	17,5



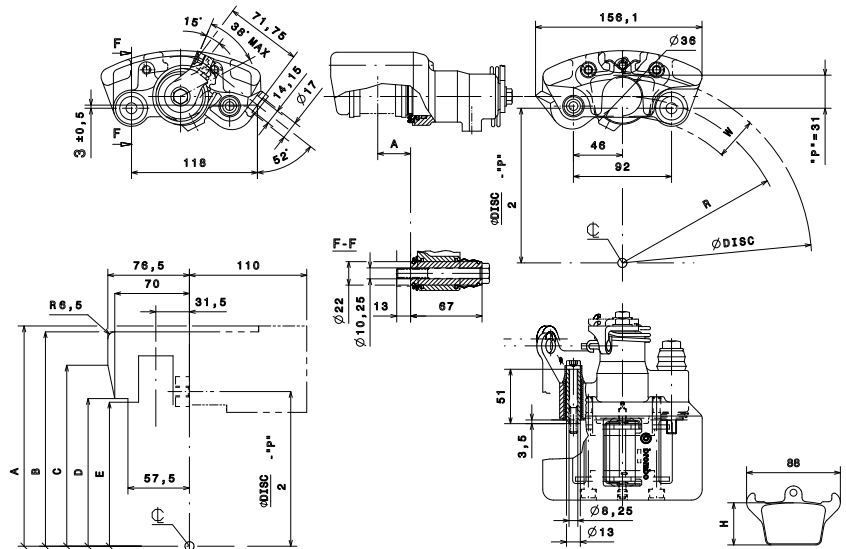


# P/N 22.5882.11/21

## HANDBRAKE CALIPER

Ø DISC	A	B	C	D	E
355	201	178,5	159,7	138,4	135
335	191	168,5	149,7	128,4	125

Ø DISC	R	TH DISC	W (disc)	H (pad)	TH PAD
355	156	26 - 32	40	38,5	10
335	146	26 - 32	40	38,5	10



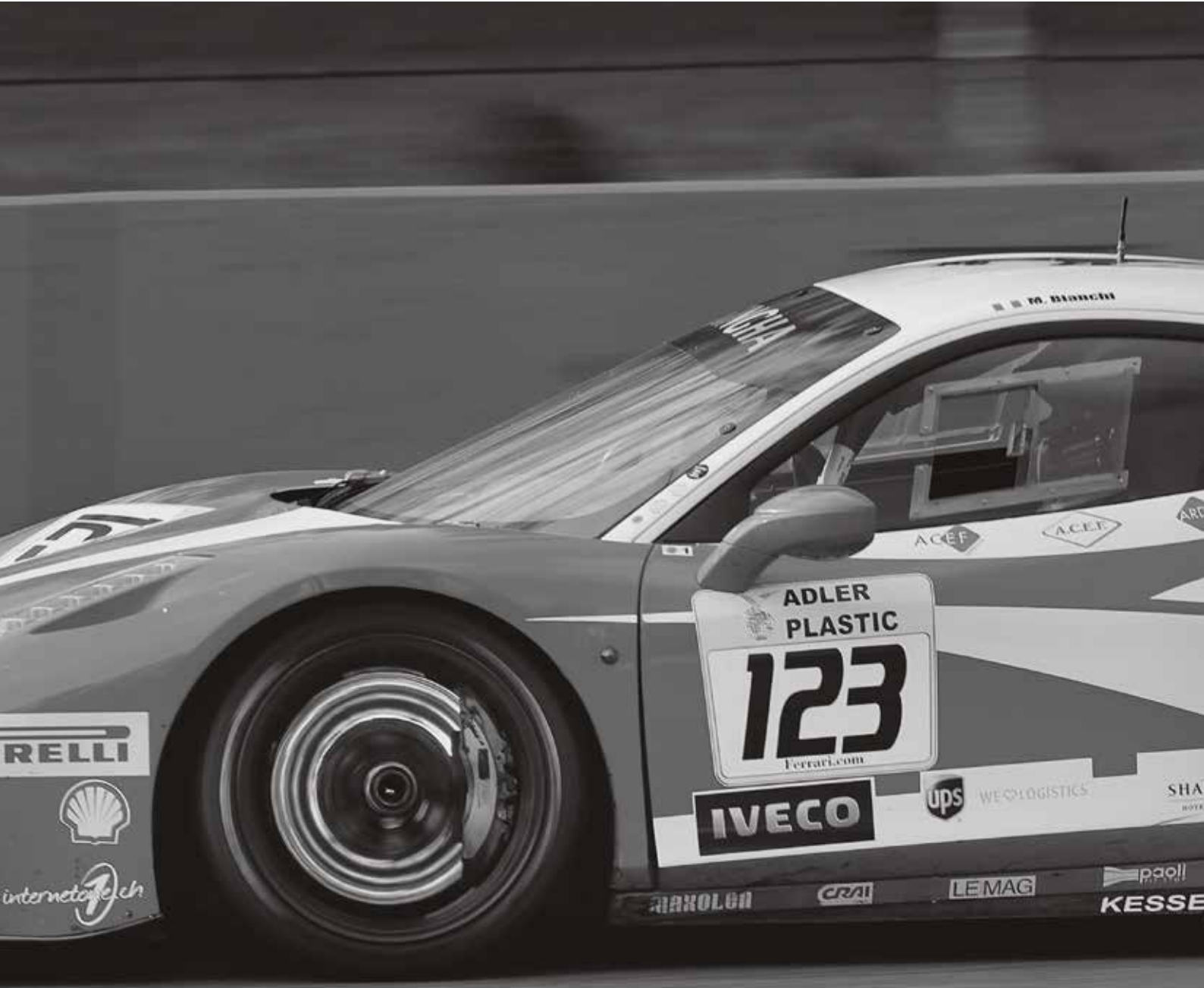
1b





2

**DISCS & FIXINGS**



RELLI



internet1.ch

ADLER  
PLASTIC  
**123**  
Ferrari.com

IVECO



WE LOGISTICS

SHAR  
ROYE

paoli

KESSE

LEMAG

CRAI

RANOLON

M. BIANCHI

ACEF

ACEF

ARD

# Fixings

2



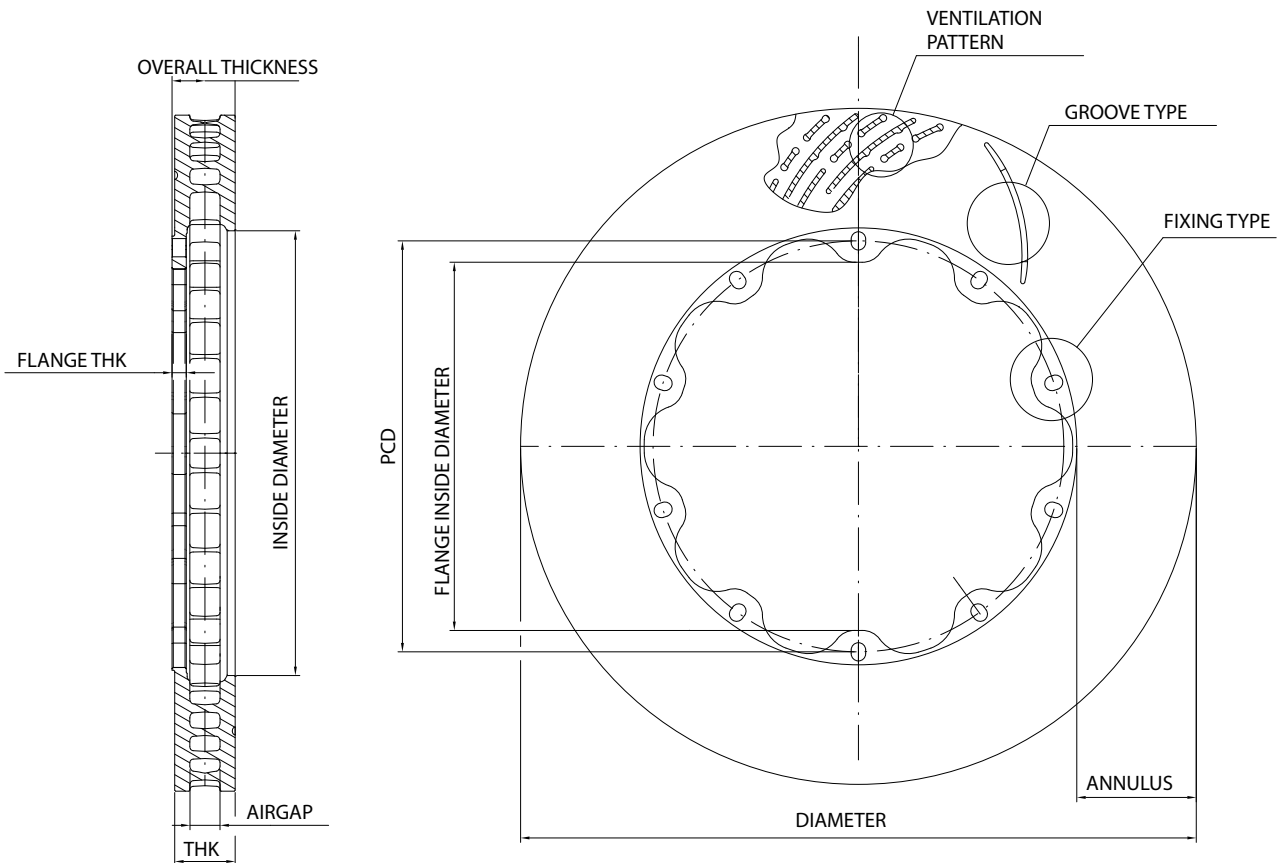
OH - Standard fixing with oval holes



R - Round holes fixing



T - Tooth fixing



# Groove type



P - plain disc



T1 - groove type 1



T3 - groove type 3



T5 - groove type 5

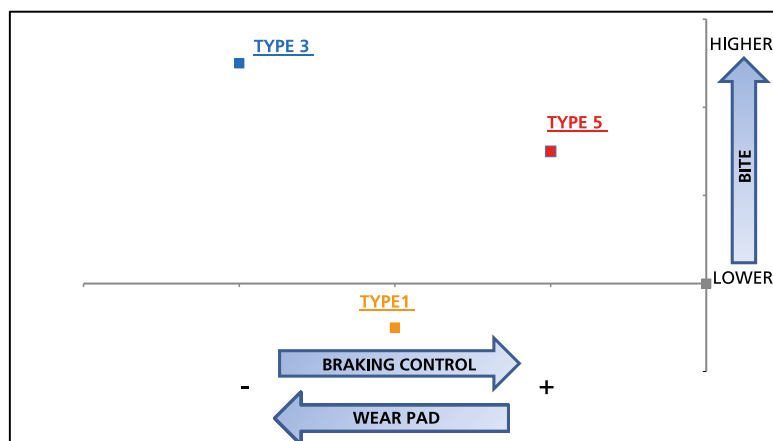


T5L - groove type 5 with logo

T2 - groove type 2: image not available.

T3L - groove type 3 with logo: image not available.

## GROOVE EFFECTS



P/N	Diameter (mm) x Th (mm)	Inside diameter (mm)	DRILL	GROOVE TYPE	Annulus (mm)	Ventilation (pillar/ vanes)
09.A261.13/23	268x17	200	0	T5 x 4	39	V
09.8386.15	278x16	187,5	0	T1 x 4	45,25	P
09.8386.16	278x16	197,5	0	T1 x 4	40,25	P
09.A261.11/21	278x18	200	0	T5 x 4	39	V
09.A261.30/40	278x18	200	0	T5 x 4	39	V
09.A261.50/60	278x18	200	0	T5 x 4	39	V
08.4695.41	278x6,4	186	50	0	46	SOLID
08.4695.43	278x6,4	187	0	0	45,5	SOLID
X95.50.60	278x6,4	187	60	0	45,5	SOLID
09.5890.10/20	280x25,4	190,5	80	0	44,75	V
09.5890.30/40	280x25,4	190	0	T1 x 4	45	V
09.5890.31/41	280x28	190	0	T1 x 4	45	V
09.9021.31/41	280x28	190	0	T5 x 8	45	60V
09.7277.09/19	295x25,4	205	0	T5L x 8	45	V
09.7277.75/85	295x25,4	204	0	T5L	45,5	V
09.7277.12/22	295x25,5	205	0	T1 x 8	45	V
09.7277.10/20	295x28	190	0	T1 x 8	52,5	V
09.7277.16/26	295x28	204	0	T1 x 8	45,5	V
09.9021.30/40	295x32	190	0	T3	52,5	60V
01.7143.10	300x22	N/A	0	0	47,5	P
09.7277.13/23	300x25,4	195	0	T1 x 8	52,5	V
09.8647.70/80	300x28	195	0	T5L	52,5	V
09.9021.10/20	300x28	195	0	T5 x 5	52,5	60V
09.9021.18/28	300x28	195	0	T2	52,5	60V
09.B500.50/60	300x28	195	0	T5L x 8	52,5	V
09.8647.12/22	300x30	195	0	T5 x 5	52,5	V
09.8647.13/23	300x32	195	0	T5L x8	52,5	V
XA3.33.10/11	304x32	191,8	96	0	56,1	V
09.7277.36/46	313x25,4	224	0	T1 x 8	44,5	V
09.9221.55/65	313x25,4	224	0	T5 x 8	44,5	60V
09.9222.71/81	313x32	225	0	T5 x 10	44	V
01.7813.10	316x20	N/A	0	0	49	P
19.7813.20	316x20	N/A	0	0	49	P
09.5682.50/60	320x28	215	0	T1 x 8	52,5	V

Fixing type	Fixing holes n.	Airgap (mm)	Weight (Kg)	Overall thickness (mm)	PCD (mm)	Flange inside diameter (mm)	Flange Th (mm)
T	-	8,5	1,95	17,5	N/A	171	4,5
round holes 8,5mm	8	6,5	2,7	16,6	176	156	4,5
round holes 8,5mm	8	6,5	2,45	16,5	186	166	4,5
T	-	8,5	2,5	18	N/A	171	4,5
T	-	8,5	2,2	18	N/A	171	4,5
OH 8mmx10mm	8	8,5	2,54	17,5	186	166	4,5
N/A from Brembo	5	0	1,8	6	164	146	6,4
OH 8mmx10mm	5	0	1,8	6	172,5	154	5
OH 8mmx10mm	5	0	1,7	6	172,5	154	5
OH 8mmx10mm	8	14	3,3	25,7	176	155	6
N/A from Brembo	8	14	3,54	25,4	176,8	151	5
N/A from Brembo	8	14	3,9	26,7	176,8	151	5
N/A from Brembo	8	16	4	26,7	176,8	151	5
OH 8mmx10mm	8	14	4,12	25,4	190	166	6
T	-	16,75	3,9	25,4	N/A	175	6
OH 8mmx10mm	8	14	3,94	25,5	190	166	6
OH 8mmx10mm	8	13,75	5,1	26,7	176	154	6
OH 8mmx10mm	8	13,75	4,58	26,7	190	166	6
OH 8mmx10mm	10	16	6,2	31	176	154	8
monolithic disc	-	7,5	6,8	57,2	114,3	N/A	5
OH 8mmx10mm	8	13,75	4,5	25,4	181	160	6
T	-	16	5	28	N/A	146	6
OH 8mmx10mm	8	16	4,99	26,8	181	160	6
OH 8mmx10mm	8	16	5	26,8	181	160	6
T	-	16	4,42	28	N/A	164	6
OH 8mmx10mm	8	16	5,63	27,8	181	160	6
OH 8mmx10mm	8	16	6,22	28,8	181	160	6
N/A from Brembo	-	16	6,4	29,3	176,8	161,2	4,75
OH 8mmx10mm	8	13,75	4,3	26,6	210	187	6
round holes 8,5mm	8	16	3,64	25,1	210	194	4,5
OH 8mmx10mm	10	19,8	4,5	32,5	210	190	6
monolithic disc	-	7	7,9	65,7	100	N/A	6,7
monolithic disc	-	7	7,9	65,7	114,3	N/A	6,7
OH 8mmx10mm	8	16,5	5,2	29,5	200	182	6



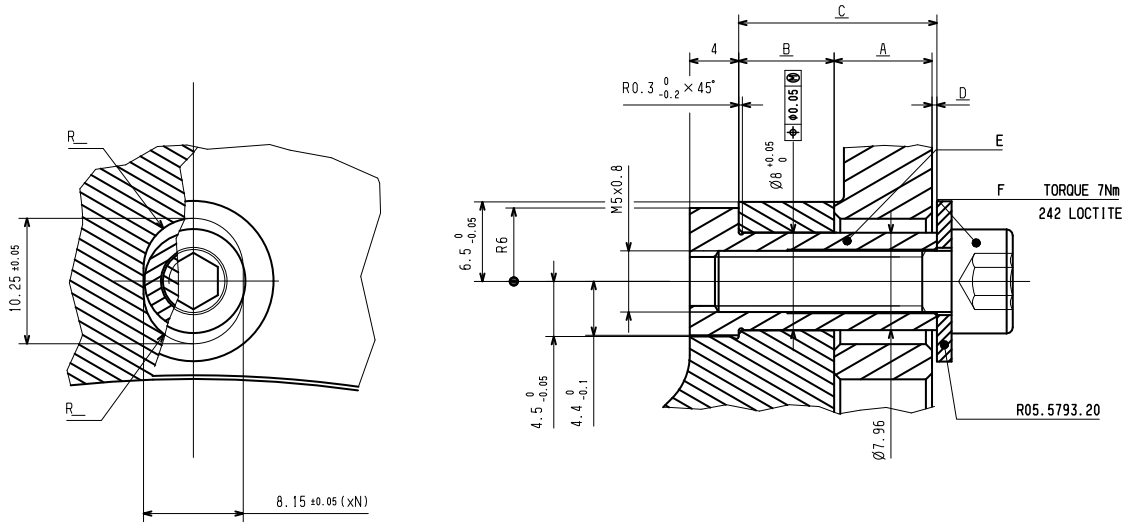
P/N	Diameter (mm) x Th (mm)	Inside diameter (mm)	DRILL	GROOVE TYPE	Annulus (mm)	Ventilation (pillar/ vanes)
09.8356.30/40	320x28	216	0	T5 x 10	52	V
01.7142.10	320x32	N/A	0	0	63,5	P
09.9226.12/22	324x28	216	0	T5 x 10	54	V
09.A882.10/20	326x26	237	0	T5 x 10	44,5	V
01.7812.10	326x30	N/A	0	0	63,5	P
19.7812.20	326x30	N/A	0	0	63,5	P
09.5682.56/66	328x27	233	0	T1 x 8	47,5	V
01.5682.72/82	328x28	220	0	0	54	V
09.8357.11/21	328x28	201	0	T5 x 6	63,5	V
09.9226.10/20	328x28	220	0	T5 x 10	54	V
XA3.41.18/28	328x28	220	0	T2	54	72V
09.8358.70/80	328x30	221	0	T2	53,5	72V
09.5682.53/63	328x32	220	0	T2	54	V
09.9226.39/49	328x32	220	0	T5 x 10	54	V
09.9227.12/22	328x32	200	0	T5 x 12	64	V
09.9227.10/20	328x35	200	0	T5 x 12	64	V
09.9229.10/20	328x35	200	0	T5 x 12	64	72V
09.8667.50/60	330x28	204	0	T3	63	V
09.9306.70/80	330x32	225	0	T3	52,5	72V
09.9306.71/81	330x32	225	0	0	52,5	72V
09.8666.53/63	332x32	225	0	0	53,5	V
09.8666.70/80	332x32	225	0	T3 x 36	53,5	V
09.A465.70/80	332x32	225	0	T5 x 10	53,5	72V
09.5759.36/46	345x28	250	0	T1 x 8	47,5	V
09.9306.12/22	350x28	224	0	T3	63	72V
09.9306.10/20	350x34	214	0	T3	68	72V
09.5759.17/27	355x28	248	0	T1 x 8	53,5	V
09.A996.10/20	355x30	249	0	T5L	53	V
09.B499.10/20	355x30	249	0	T5L x 10	53	V
01.5759.16/26	355x32	248	0	0	53,5	V
09.5683.19/29	355x32	248	0	T5L	53,5	V
09.9306.11/21	355x32	248	0	T3	53,5	72V
09.9306.30/40	355x32	228	0	T5 x 5	63,5	72V
09.9306.31/41	355x32	228	0	T5L x 10	63,5	72V

Fixing type	Fixing holes n.	Airgap (mm)	Weight (kg)	Overall thickness (mm)	PCD (mm)	Flange inside diameter (mm)	Flange Th (mm)
OH 8mmx10mm	12	16,5	5,17	29	200	182	6
monolithic disc	-	13,5	9,7	43,5	114,3	N/A	6,5
OH 8mmx10mm	10	16,5	6,1	29	206	182	6
special fixing	10	16,5	4	27,5	225	202	6
monolithic disc	-	12	10,2	53,7	100	N/A	6,7
monolithic disc	-	12	10,2	53,7	114,3	N/A	6,7
OH 8mmx10mm	10	16,5	4,9	28,5	218	196	6
OH 8mmx10mm	10	16,5	6,9	29	206	184	6
OH 8mmx10mm	12	16,5	6,1	29	184	161	6
OH 8mmx10mm	10	16,5	5,24	29	206	184	6
OH 8mmx10mm	10	16,5	5,65	29	206	184	6
OH 8mmx10mm	10	16,5	6,3	30	206	184	6
OH 8mmx10mm	10	16,5	6,6	33	206	184	8
OH 8mmx10mm	10	16,5	6,4	33	206	184	8
OH 8mmx10mm	12	16,5	7,32	33,5	184	161	8
OH 8mmx10mm	12	16,5	8,44	35	184	161	8
OH 8mmx10mm	12	19	8,3	35	184	161	8
OH 8mmx10mm	10	16,5	7,5	31	188	166	8
OH 8mmx10mm	10	17	6,7	34,5	210	190	8
OH 8mmx10mm	10	17	6,74	34,5	210	190	8
OH 8mmx10mm	10	16,5	6,9	34,5	210	190	8
OH 8mmx10mm	10	16,5	6,8	34,5	210	190	8
T	-	17	6,6	33	N/A	196	7
OH 8mmx10mm	10	17	4,9	29,5	233	209	6
OH 8mmx10mm	10	17	6,6	29,5	206	182	6
OH 8mmx10mm	10	17	9,3	34,8	197	174	8
OH 8mmx10mm	10	17	5,5	29,5	233	209	6
T	-	17	6,2	30	N/A	219	6
T	-	19,25	5,3	30	N/A	219	6
OH 8mmx10mm	10	17	6,9	34,5	233	209	8
T	-	19,75	6,3	32	N/A	219	6
OH 8mmx10mm	10	17	7,43	34,5	233	209	8
OH 8mmx10mm	10	17	8,43	18,5	210	187	8
OH 8mmx10mm	10	17	8,47	18,5	210	187	8

P/N	Diameter (mm) x Th (mm)	Inside diameter (mm)	DRILL	GROOVE TYPE	Annulus (mm)	Ventilation (pillar/ vanes)
09.9306.50/60	355x32	228	0	T2	52	72V
09.9404.12/22	355x32	234	0	T5 x 10	60,5	72V
09.A026.13/23	355x32	248	0	T5 x 10	53,5	V
09.A027.13/23	355x32	248	0	T5 x 10	53,5	V
09.A465.11/21	355x32	248	0	T3	53,5	72V
09.A465.13/23	355x32	248	0	T5 x 10	53,5	72V
09.B499.50/60	355x32	248	0	T5L x 10	53,5	72V
09.9306.14/24	355x35	248	0	T3	53,5	72V
09.8528.58/68	370x32	266	0	T2	52	72V
09.A009.10/20	370x32	265	0	T2	52,5	72V
09.8528.55/65	370x35	260	0	T1 x 8	55	72V
09.8528.51/61	375x35	260	0	T3	57,5	72V
09.8528.74/84	380x32	275	0	T3	52,5	72V
09.A009.74/84	380x32	275	0	T5 x 10	52,5	72V
09.A464.75/85	380x32	273	0	T3	53,5	72V
09.A464.76/86	380x32	273	0	T5 x 10	53,5	72V
09.8528.12/22	380x34	250	0	T3L	65	72V
09.8528.31/41	380x34	250	0	T5 x 10	65	72V
09.A009.12/22	380x34	250	0	T3	65	72V
09.A464.30/40	380x34	250	0	T5 x 10	65	72V
59.B979.30/40	380x34	250	0	T5L x 10	70	V
09.8528.32/42	380x35	250	0	T5 x 10	65	72V
09.8528.78/88	380x35	275	0	T3	52,5	72V
09.A464.55/65	380x35	273	0	T3	53,5	72V
09.A464.56/66	380x35	273	0	T5 x 10	53,5	72V
59.B979.31/41	390x32	285	0	T5L x 10	52,5	V
59.B979.35/45	390x32	260	0	T5L x 10	65	V
59.B979.34/44	390x34	260	0	T5L x 10	65	V
59.B979.36/46	390x35	260	0	T5L x 10	65	V

Fixing type	Fixing holes n.	Airgap (mm)	Weight (kg)	Overall thickness (mm)	PCD (mm)	Flange inside diameter (mm)	Flange Th (mm)
OH 8mmx10mm	10	17	8,4	34,5	210	187	8
OH 8mmx10mm	10	17	8,14	34,5	219	196	8
OH 8mmx10mm	10	17	7,5	34,5	233	209	8
OH 8mmx10mm	10	20	6,54	34,5	233	209	8
T	-	17	7,23	33	N/A	219	7
T	-	17	7,9	33	N/A	219	7
T	-	19,25	5,99	32	N/A	219	6
OH 8mmx10mm	10	17	8,6	36	233	209	8
OH 8mmx10mm	10	17	7,8	34,5	245	221	8
OH 8mmx10mm	10	20	7,16	34,5	245	221	8
OH 8mmx10mm	10	17	9	36	245	221	8
OH 8mmx10mm	10	17	9,2	36	245	221	8
OH 8mmx10mm	10	17	9,3	34,5	258	234,5	8
OH 8mmx10mm	10	20	7,37	34,5	258	234,5	8
T	-	17	7,95	33	N/A	242	7
T	-	17	8,02	33	N/A	242	7
OH 8mmx10mm	10	17	10,2	35,5	231	207	8
OH 8mmx10mm	10	17	10,27	35,5	231	207	8
OH 8mmx10mm	10	20	8,47	35,5	231	207	8
T	-	17	10,23	35	N/A	217	8
OH 8mmx10mm	10	18	10,17	35,5	231	207	8
OH 8mmx10mm	10	17	10,7	36	231	207	8
OH 8mmx10mm	10	17	9,3	36	258	234,5	8
T	-	17	9,13	34,5	N/A	242	7
T	-	17	9,16	34,5	N/A	242	7
OH 8mmx10mm	10	18	7,84	34,5	268	245	8
T	-	18	9,52	33,5	N/A	227	8
T	-	18	10,49	35	N/A	227	8
T	-	18	10,96	35,5	N/A	227	8

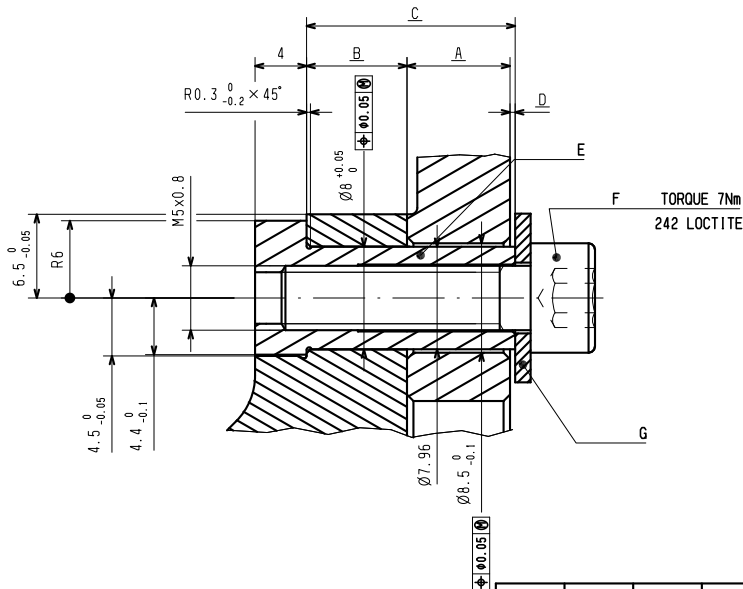
# Oval holes



A	B	C	D	E	F
4.55	5.85	10.70	0.50	X 8.020.09	A1.68.3J.103
4.45	5.75	10.65	0.25		
5.05	5.55	10.70	0.30	X 8.020.09	A1.14.44.103
4.95	5.45	10.65	0.05		
6.05	5.85	12.20	0.50	X 8.020.08	A1.68.3J.103
5.95	5.75	12.15	0.25		
6.05	9.85	16.20	0.50	X 2.030.26	A1.68.3J.105
5.95	9.75	16.15	0.25		
8.05	7.85	16.20	0.50	X 2.030.26	A1.68.3J.105
7.95	7.75	16.15	0.25		

XA19902 esp A

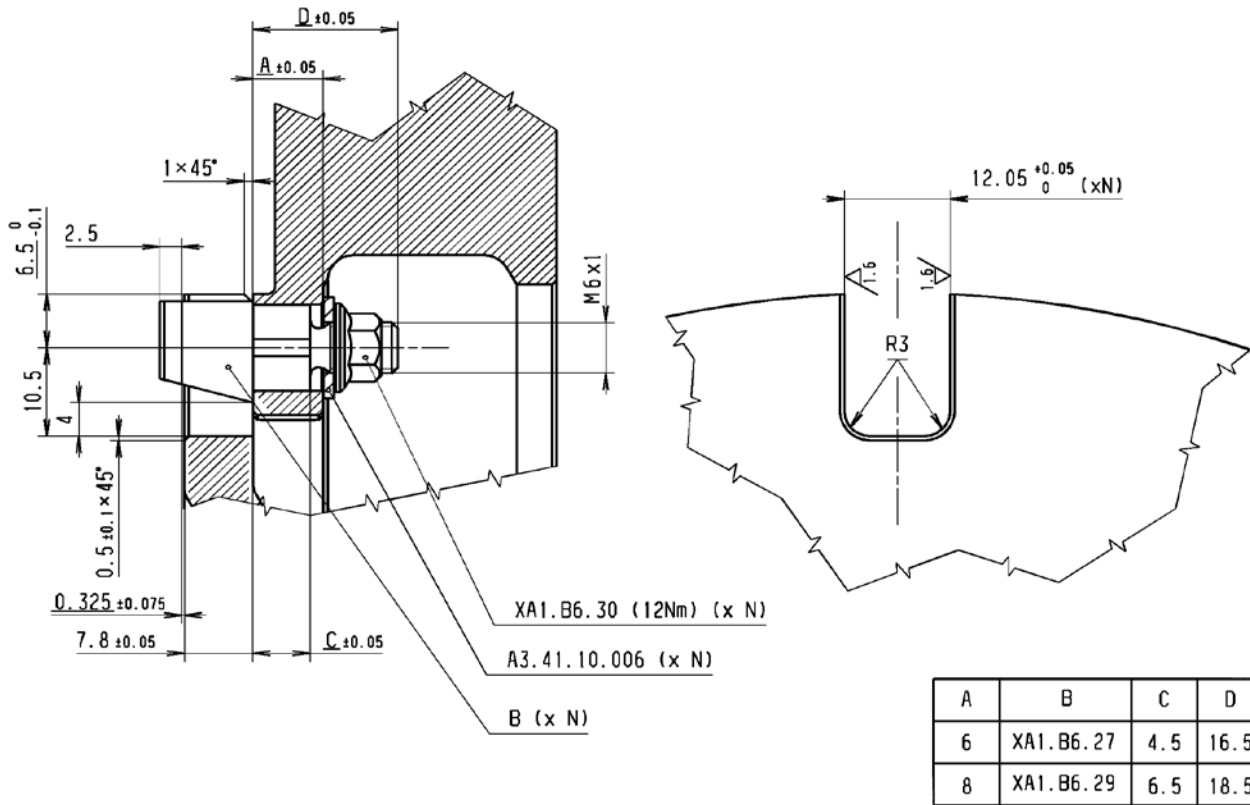
# Round Holes



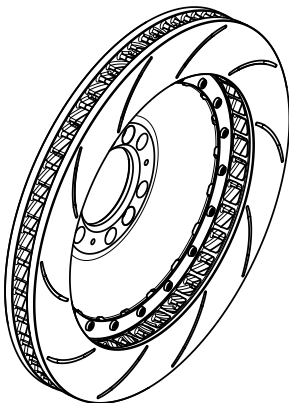
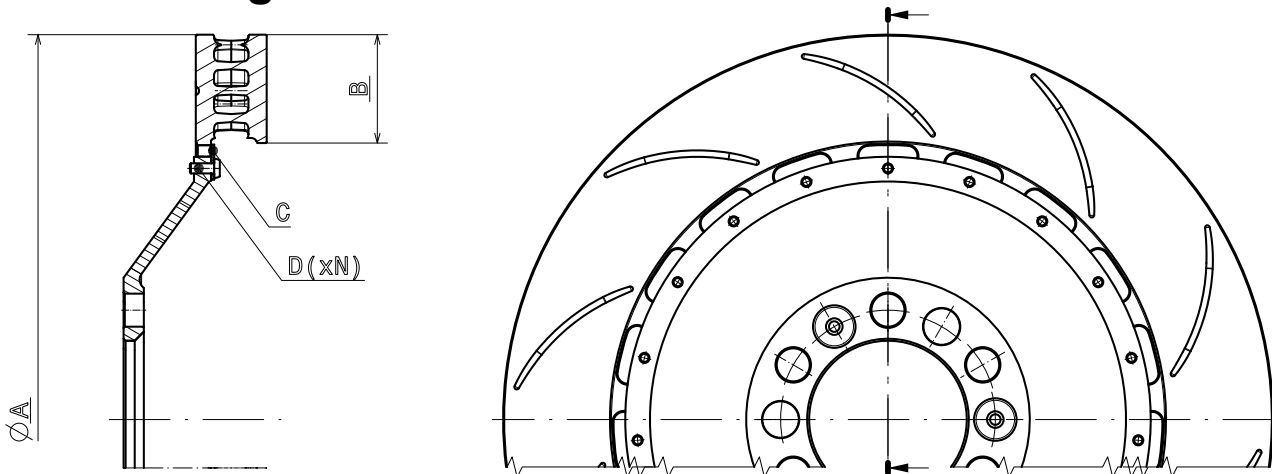
A	B	C	D	E	F	G
3.1	7.6	10.70	0.40	X 8.020.09	A1.68.3J.103	R05.5793.20
2.9	7.5	10.65	0.05			
4.55	6.05	10.70	0.30	X 8.020.09	A1.68.3J.103	X 9.002.47
4.45	5.95	10.65	0.05			
6.05	6.05	12.20	0.30	X 8.020.08	A1.68.3J.103	X 9.002.47
5.95	5.95	12.15	0.05			
8.05	8.05	16.20	0.30	X 2.030.26	A1.68.3J.105	X 9.002.47
7.95	7.95	16.15	0.05			

XA1.99.03 esp A

# Heavy Duty



# Tooth Fixing



Fixing ring P/N	A	B	C	D
Disc Diameter (mm)	Annulus (mm)	Screw P/N	Fixing screws n.	
XA6S197	268	39	XA5K051	11
XA6S197	278	39	XA5K051	11
05A46732	295	45,5	05877407	15
05A46734	300	52,5	05877407	15
05A46733	332	53,5	05877407	13
05A46735	355	53	05877407	15
05A46735	355	53,5	05877407	15
05A46735	355x32	53,5	05877407	15
05A46746	380	53,5	05877407	19
05A46730	380	65	05877407	21
05A46746	380	53,5	05877407	19
05A46739	390	65	05877407	21

## CARBON DISCS

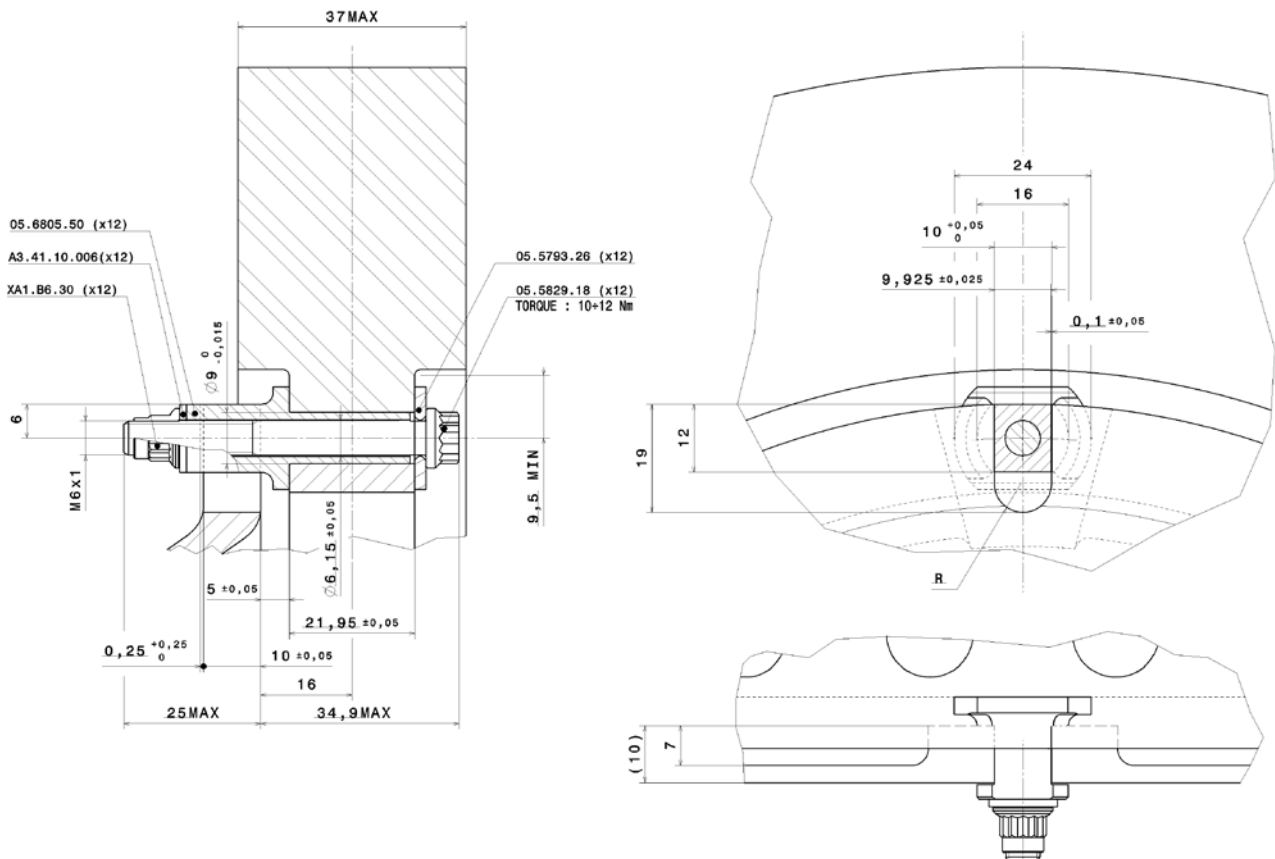
P/N	Material	Diameter (mm)	Th (mm)	Annulus (mm)	Ventilation holes (mm)	Weight (Kg)
XA6.M3.C3	CER 200	355	32	53	12	2,64
XA6.M3.C4	CER 200	355	32	53	12	2,64
XA6.M3.D3	CER 200	355	35	53	12	2,9
XA6.M3.C2	CER 200	380	32	53	12	2,9
XA6.M3.D2	CER 200	380	35	53	12	3,2

2

## CARBON PADS

P/N	Material	Th (mm)	Annulus (mm)	Weight (Kg)
07.9076.10	CCR 400	25	53	0,32
07.9076.50	CCR 400	26	53	0,33
07.9076.22	CCR 400	26	53	0,36

## Carbon Disc

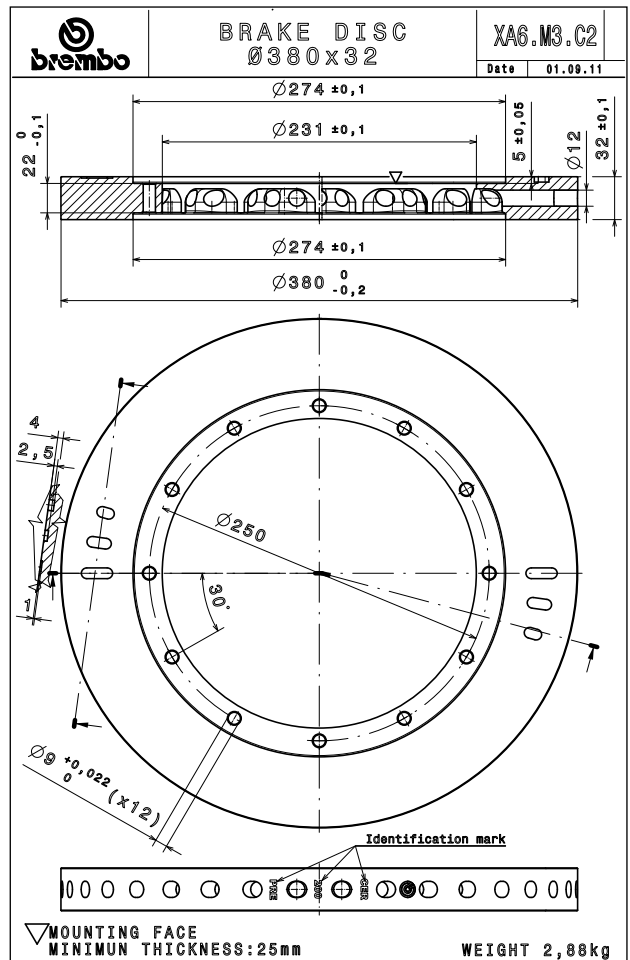
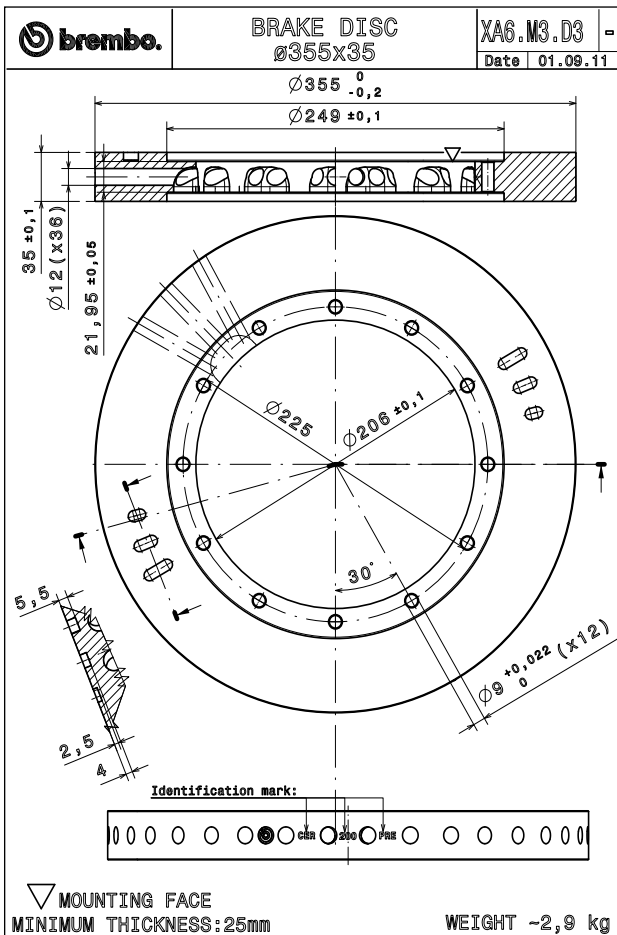
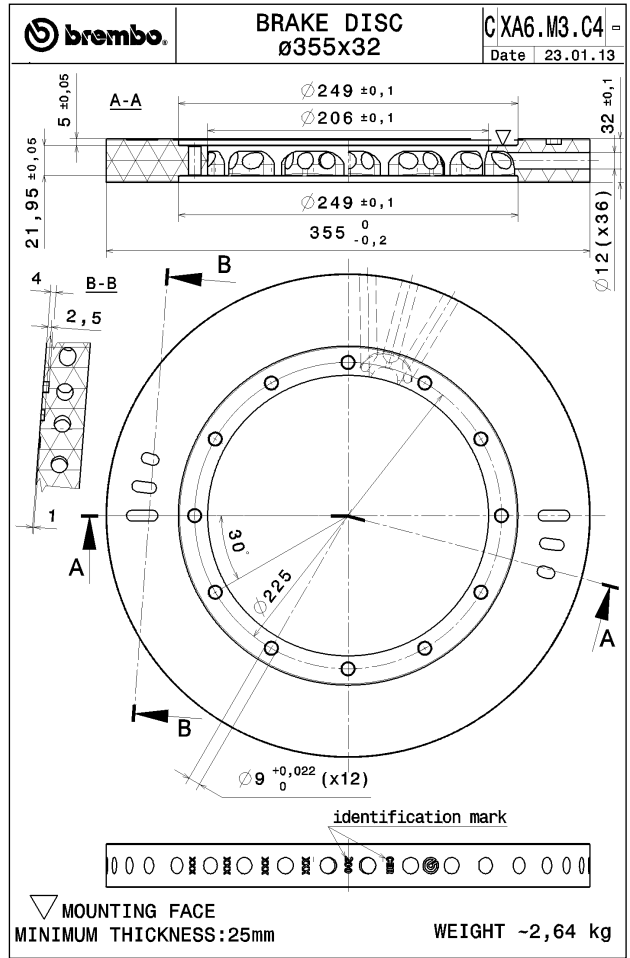
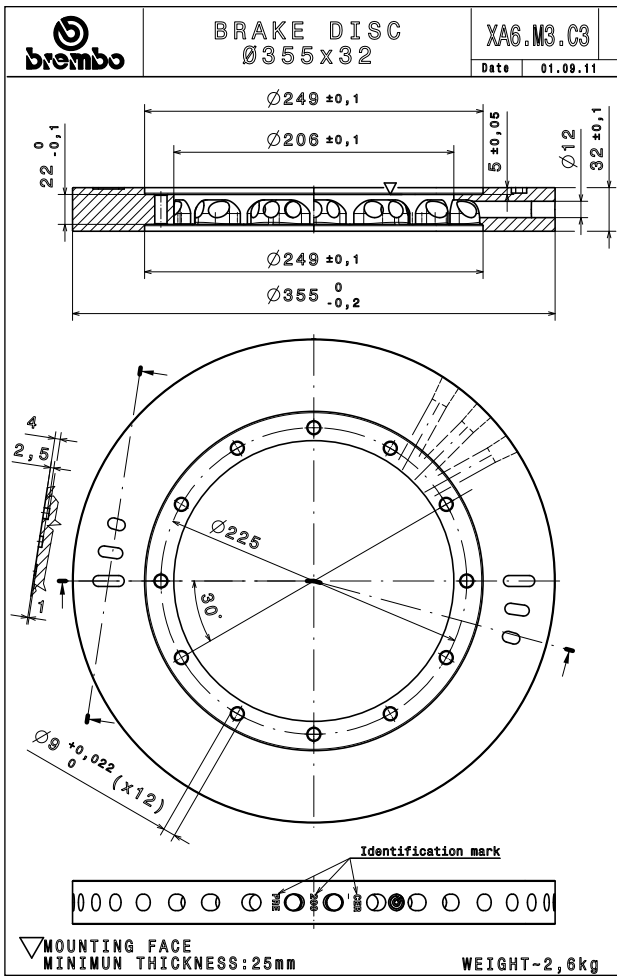


Fixing number	PCD (mm)	Inside diameter (mm)	Flange inside diameter (mm)	Flange th (mm)	Related pads	
12	225	249	206	22	07.9076.10	07.9076.50
12	225	249	206	22	07.9076.10	07.9076.50
12	225	249	206	22	07.9076.22	
12	250	274	231	22	07.9076.10	07.9076.50
12	250	274	231	22	07.9076.22	

2









# 3

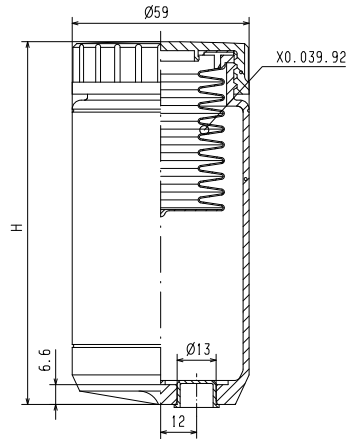
## MASTER CYLINDERS & RESERVOIRS





# P/N 10.8687.10/13

## STANDARD RESERVOIRS



Part number	Volume[cm <sup>3</sup> ]	H
R 10.8687.10	83	75.5
R 10.8687.11	163	110.5
R 10.8687.12	180	120.5
R 10.8687.13	238	148.5

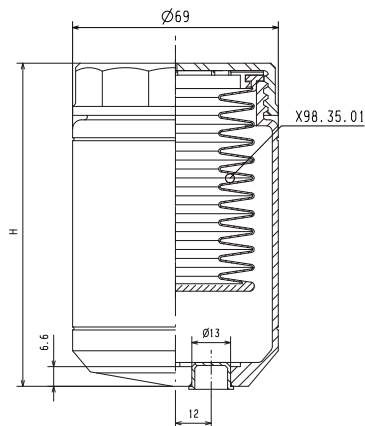
	Nipple kit	Alluminium	R 10.8687.22
	Nipple kit	Alluminium	R 10.8687.26

	Nipple	Nut		0-ring	
		Washer			
		0-ring			

3

# P/N 10.8687.14/15

## GRAN TOURING RESERVOIRS



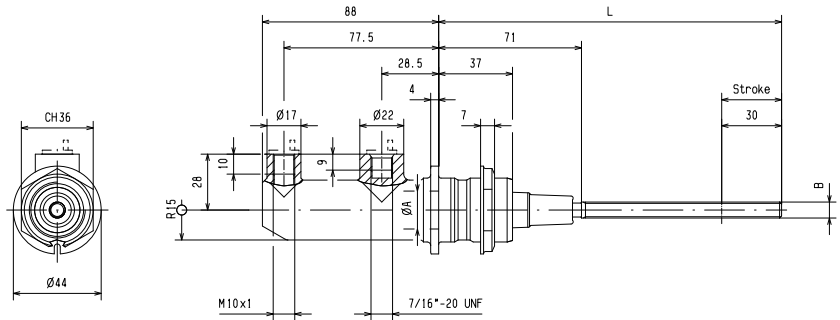
Part number	Volume[cm <sup>3</sup> ]	H
R 10.8687.14	199	108.4
R 10.8687.15	304	144.5

	Nipple kit	Alluminium	R 10.8687.22
	Nipple kit	Alluminium	R 10.8687.26

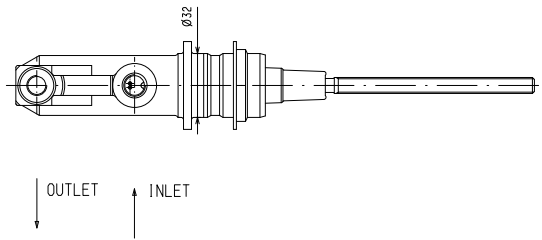
	Nipple	Nut		0-ring	
		Washer			
		0-ring			

# P/N 10.6815.56/97

## SINGLE NUT FIXING MASTER CYLINDER



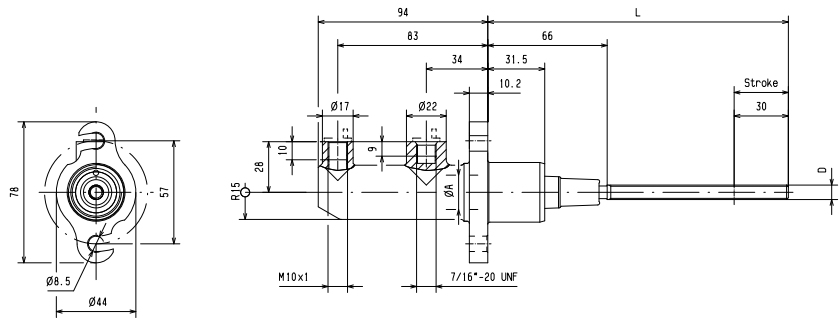
ØA	B	L	Part Number
17.46	5/16" 24UNF	171	R 10.6815.57
17.46	M10x1	122	R 10.6815.56
19.05	5/16" 24UNF	171	R 10.6815.77
19.05	M10x1	122	R 10.6815.76
20.64	5/16" 24UNF	171	R 10.6815.87
20.64	M10x1	122	R 10.6815.86



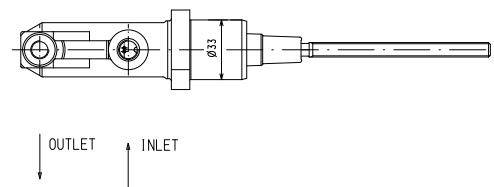
3

# P/N 10.9243.54/96

## TWO BOLT FIXING MASTER CYLINDER

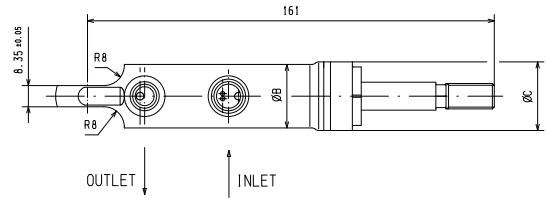
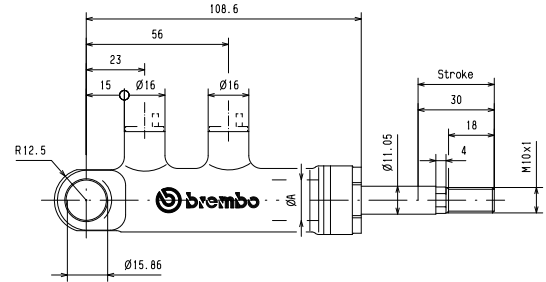
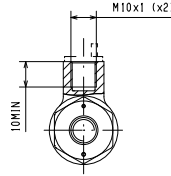


ØA	D	L	PUSHER/ROD MATERIAL	PART NUMBER
17.46	M8x1.25	117	STEEL	R 10.9243.54
	5/16"-24UNF	166	STEEL	R 10.9243.55
19.05	M8x1.25	117	TITANIUM	R 10.9243.56
	M8x1.25	117	STEEL	R 10.9243.74
20.64	5/16"-24UNF	166	STEEL	R 10.9243.75
	M8x1.25	117	TITANIUM	R 10.9243.76
22.22	M8x1.25	117	STEEL	R 10.9243.84
	M8x1.25	117	TITANIUM	R 10.9243.86
22.22	5/16"-24UNF	166	STEEL	R 10.9243.94
	M8x1.25	117	TITANIUM	R 10.9243.96



# P/N X97.54.11/16

## FRONT PIVOT FIXING MASTER CYLINDER

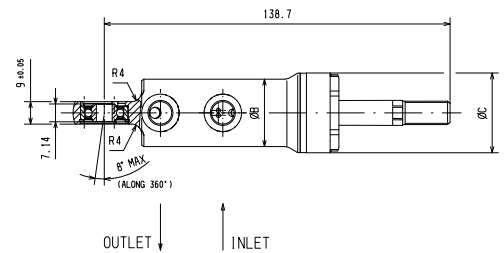
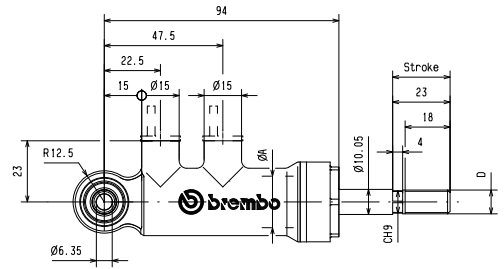
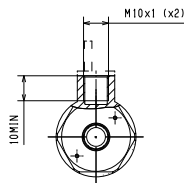


ØA	ØB	ØC		Part Number
15	25	27	X	97.54.11
16	25	27	X	97.54.12
17	25	30	X	97.54.13
18	25	30	X	97.54.14
19.05	25	30	X	97.54.15
20.64	26	30	X	97.54.16

3

# P/N XA2.L2.A7/F7 – XA3.G1.32/45

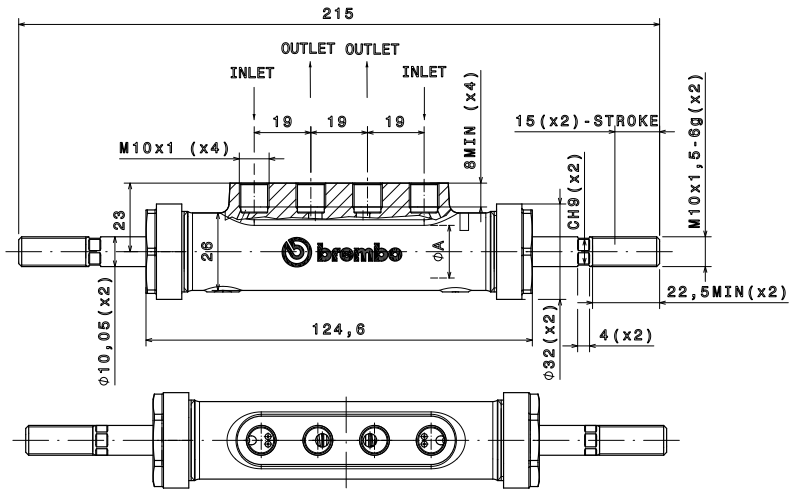
## FRONT PIVOT FIXING WITH VERTICAL BEARING MASTER CYLINDER



ØA	ØB	ØC	D		Part Number
16.00	25	30	3/8"-24UNF	X	A3.G1.42
			M10x1	X	A3.G1.32
17.46	25	30	3/8"-24UNF	X	A3.G1.44
			M10x1	X	A3.G1.34
19.00	25	30	3/8"-24UNF	X	A3.G1.45
			M10x1	X	A3.G1.35
20.64	27	32	3/8"-24UNF	X	A2.L2.A7
			M10x1	X	A2.L2.F6
22.22	27	32	3/8"-24UNF	X	A2.L2.A8
			M10x1	X	A2.L2.F7

# P/N XA7.B9.11/13

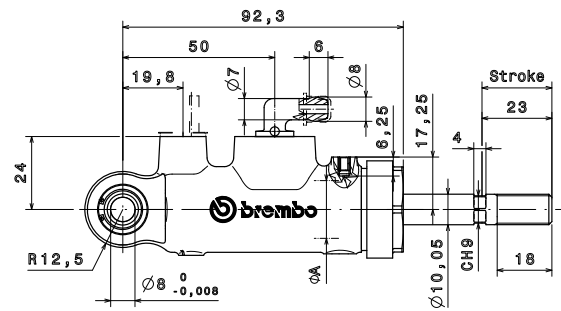
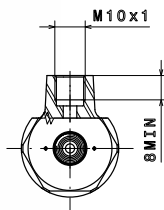
## TWIN MASTER CYLINDER FOR HANDBRAKE



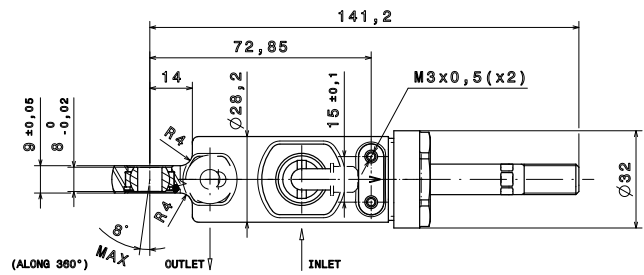
ØA	Part Number
16,00	XA7.B9.11
17,00	XA7.B9.12
18,00	XA7.B9.13

# XB2.B5.11/15 - A1/A5

## FORGED MASTER CYLINDER



Ø	pushrod	p/n
16	M10x1	X B2.B5.11
17,46		X B2.B5.12
19		X B2.B5.13
20,64		X B2.B5.14
22,22		X B2.B5.15
16	3/8"-24UNF	X B2.B5.A1
17,46		X B2.B5.A2
19		X B2.B5.A3
20,64		X B2.B5.A4
22,22		X B2.B5.A5



**XB2.B5.11/15: pushrod end M10x1**

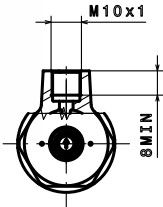
**XB2.B5.A1/A5: pushrod end 3/8" - 24UNF**



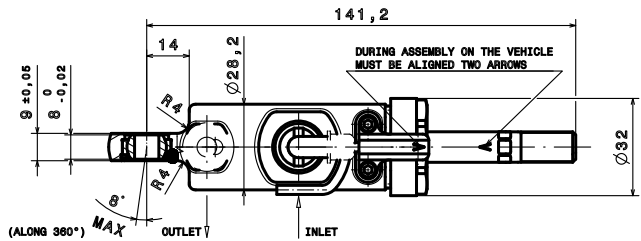
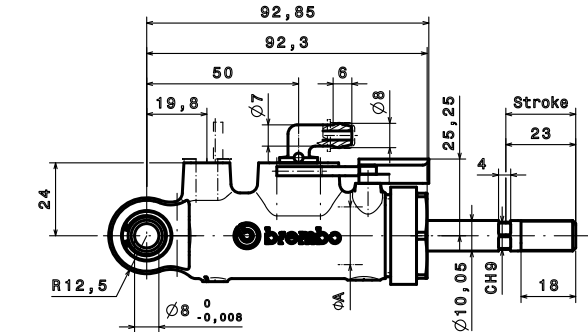
## XB2.B5.16/20 - A6/B0

### FORGED MASTER CYLINDER WITH TRAVEL SENSOR

Travel sensor p/n XB2.B5.90



ø	pushrod	p/n
16	M10x1	X B2.B5.16
17,46		X B2.B5.17
19		X B2.B5.18
20,64		X B2.B5.19
22,22		X B2.B5.20
16	3/8"-24UNF	X B2.B5.A6
17,46		X B2.B5.A7
19		X B2.B5.A8
20,64		X B2.B5.A9
22,22		X B2.B5.B0

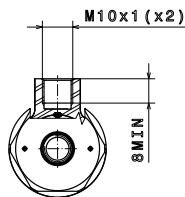


**XB2.B5.16/20: pushrod end M10x1**

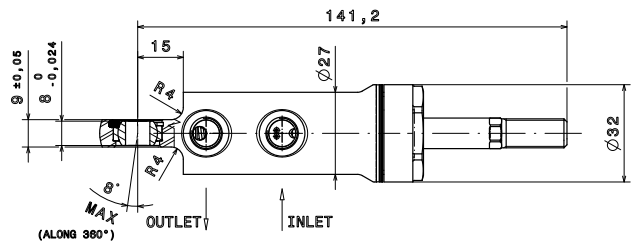
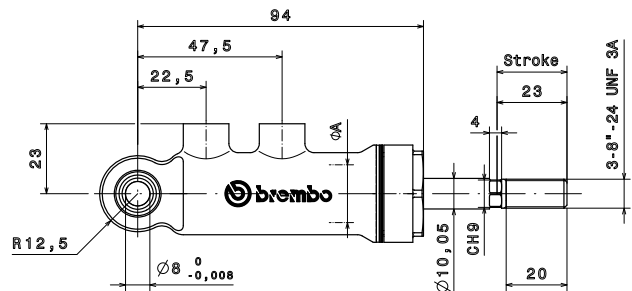
**XB2.B5.A6/B0: pushrod end 3/8" - 24UNF**

## XB2.E4.A1/A5

### FORGED MASTER CYLINDER

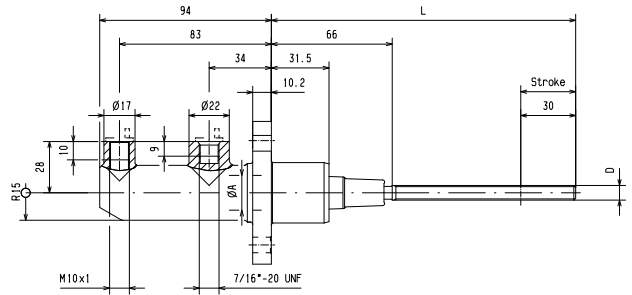
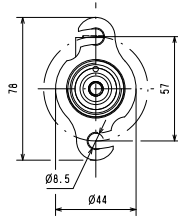


ø	pushrod	p/n
16	3/8"-24UNF	X B2.E4.A1
17		X B2.E4.A2
19		X B2.E4.A3
20,64		X B2.E4.A4
22,22		X B2.E4.A5

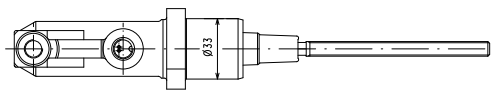


# P/N 10.9243.54/96

## TWO BOLT FIXING MASTER CYLINDER



ØA	D	L	PUSHED MATERIAL	PART NUMBER
17.46	M8x1.25	117	STEEL	R 10.9243.54
	5/16"-24UNF	166	STEEL	R 10.9243.55
19.05	M8x1.25	117	TITANIUM	R 10.9243.56
	5/16"-24UNF	166	STEEL	R 10.9243.74
20.64	M8x1.25	117	STEEL	R 10.9243.75
	5/16"-24UNF	166	TITANIUM	R 10.9243.76
22.22	M8x1.25	117	STEEL	R 10.9243.84
	5/16"-24UNF	166	STEEL	R 10.9243.85
22.22	M8x1.25	117	TITANIUM	R 10.9243.86
	5/16"-24UNF	166	STEEL	R 10.9243.94
22.22	M8x1.25	117	STEEL	R 10.9243.95
	5/16"-24UNF	166	TITANIUM	R 10.9243.96

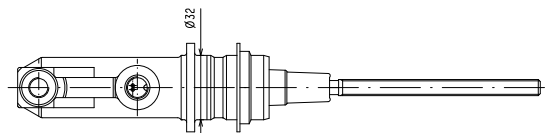
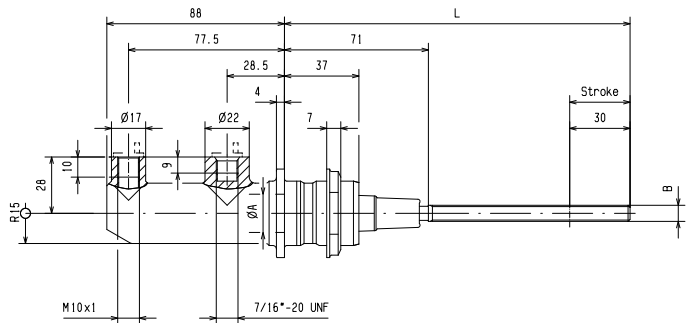
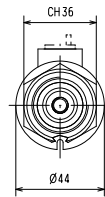


OUTLET ↑ INLET



# P/N 10.6815.56/97

## SINGLE NUT FIXING MASTER CYLINDER



OUTLET ↑ INLET

ØA	B	L	Part Number
17.46	5/16" 24UNF	171	R 10.6815.57
17.46	M10x1	122	R 10.6815.56
19.05	5/16" 24UNF	171	R 10.6815.77
19.05	M10x1	122	R 10.6815.76
20.64	5/16" 24UNF	171	R 10.6815.87
20.64	M10x1	122	R 10.6815.86

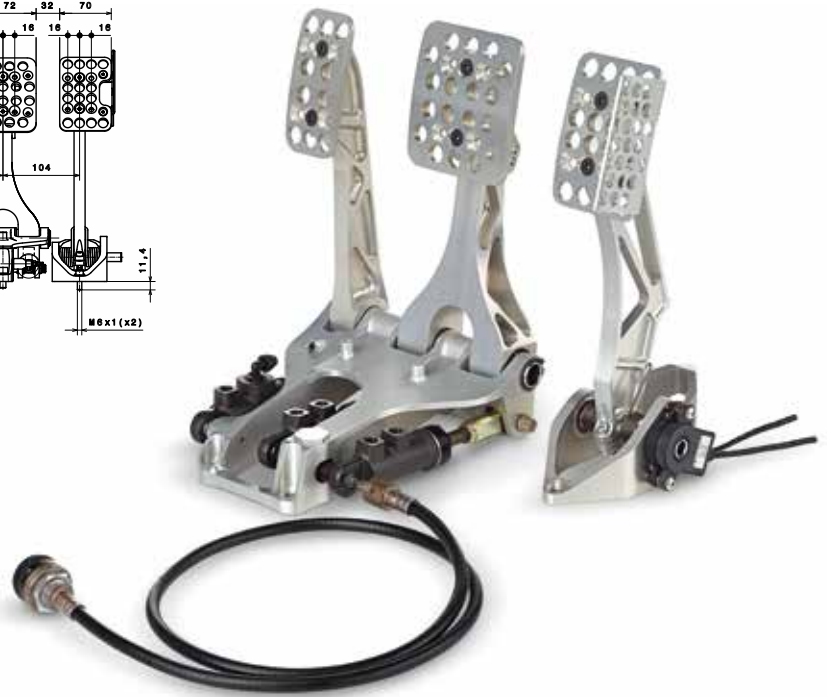
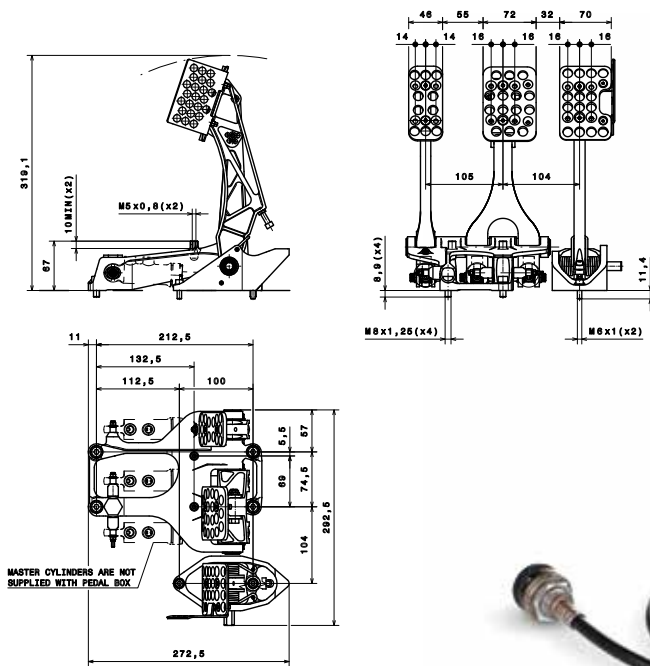
4

PEDAL  
BOX





## **XB2.E4.30/35** **PEDAL BOX**



4

Mechanical pedal ratio:  $4,5 \div 5$   
Suggested master cylinder: XB2.E4.A1/A5 or XB2.B5.A1/A5

## **XB2.E4.47** **THROTTLE PEDAL SENSOR**



---

**XB2.E5.10**  
**REMOTE ADJUSTER**



4

---

**XB2.S0.10**  
**HANDBRAKE**





5

**TYPICAL  
BRAKE SYSTEMS**





Pads p/n refer to Brembo suggestions

### ASTON MARTIN DBRS-9 GTE

				Description	Q.ty	Part number	Comments
FRONT	A	Disc	Left	Ø 380x32 72 vanes	1	09.8528.74	
			Right	Ø 380x32 72 vanes	1	09.8528.84	
	B	Caliper	Left	M6. 28/30/38	1	XA4.F1.01	Alternative: XA8.31.31/32
			Right	M6. 28/30/38	1	XA4.F1.02	
C	Pad	1 pad kit	---	---	---	---	Alternative: B29.25.340
			Brembo Racing Pad RB-340	1	B24.25.340		
D	Bracket	Left	---	---	---		
		Right	---	---	---		
REAR	E	Disc	Left	Ø 332x32 48 vanes	1	09.8666.70	
			Right	Ø 332x32 48 vanes	1	09.8666.80	
	F	Caliper	Left	---	---	20.8271.30	
			Right	---	---	20.8271.40	
G	Pad	1 pad kit	---	---	---	---	Alternative: B29.25.340
			Brembo Racing Pad RB-330	1	B13.26.330		
H	Bracket	Left	---	---	---		
		Right	---	---	---		
M/C	M	Front		---	---	---	
	N	Rear		---	---	---	
	O	Clutch		---	---	---	

### ASTON MARTIN DBRS-9 (GT3 HOMOLOGATION) ->2011

				Description	Q.ty	Part number	Comments
FRONT	A	Disc	Left	Ø 380x32 72 vanes	1	09.8528.74	Endurance .78/88
			Right	Ø 380x32 72 vanes	1	09.8528.84	
	B	Caliper	Left	---	1	CP5260	
			Right	---	1	CP5260	
C	Pad	1 pad kit	---	---	---	---	Alternative: B29.25.340
			Brembo Racing Pad RB-170	1	B51.25.170		
D	Bracket	Left	---	---	---		
		Right	---	---	---		
REAR	E	Disc	Left	Ø 313x25,4 48 vanes	1	09.7277.36	
			Right	Ø 313x25,4 48 vanes	1	09.7277.46	
	F	Caliper	Left	P4. 30/36	1	X98.A8.43	
			Right	P4. 30/36	1	X98.A8.44	
G	Pad	1 pad kit	---	---	---	---	Alternative: B29.25.340
			Brembo Racing Pad RB-170	1	B12.18.170		
H	Bracket	Left	---	---	---		
		Right	---	---	---		
M/C	M	Front		---	---	---	
	N	Rear		---	---	---	
	O	Clutch		---	---	---	

## ASTON MARTIN DBRS-9 (GT3 HOMOLOGATION) 2012->

				Description	Q.ty	Part number	Comments
FRONT	A	Disc	Left	Ø 380x32 72 vanes	1	09.A464.76	Disc assemblies: XB1.88.13/14 Bell: XB1.88.10
			Right	Ø 380x32 72 vanes	1	09.A464.86	
	B	Caliper	Left	M6. 28/30/38	1	XA6.61.21	
			Right	M6. 28/30/38	1	XA6.61.22	
C	Pad	1 pad kit	---	---	---	---	
			Brembo Racing Pad RB-340	1	B24.25.340		
D	Bracket	Left	---	---	---		
		Right	---	---	---		
REAR	E	Disc	Left	Ø 332x32 48 vanes	1	09.A465.70	Disc assemblies: XB1.88.21/22 Bell: XB1.88.20
			Right	Ø 332x32 48 vanes	1	09.A465.80	
	F	Caliper	Left	P4. 28/36	1	XB0.L2.53	
			Right	P4. 28/36	1	XB0.L2.54	
G	Pad	1 pad kit	---	---	---	---	
			Brembo Racing Pad RB-330	1	B13.26.330		
H	Bracket	Left	---	---	---		
		Right	---	---	---		
M/C	M	Front		---	---	---	
	N	Rear		---	---	---	
	O	Clutch		---	---	---	

## ASTON MARTIN DBRS-9 GT4 SPRINT

				Description	Q.ty	Part number	Comments
FRONT	A	Disc	Left	Ø 365x32 72 vanes	1	09.A464.11	Disc Assemblies: XA9.14.11/12 Bell: XA9.14.20
			Right	Ø 365x32 72 vanes	1	09.A464.21	
	B	Caliper	Left	---	1	OE	
			Right	---	1	OE	
C	Pad	1 pad kit	---	---	---	---	
			Brembo Racing Pad RB-170	1	B62.15.170		
D	Bracket	Left	---	---	---		
		Right	---	---	---		
REAR	E	Disc	Left	---	---	---	
			Right	---	---	---	
	F	Caliper	Left	---	---	---	
			Right	---	---	---	
G	Pad	1 pad kit	---	---	---	---	
			---	---	---	---	
H	Bracket	Left	---	---	---		
		Right	---	---	---		
M/C	M	Front		---	---	---	
	N	Rear		---	---	---	
	O	Clutch		---	---	---	

## ASTON MARTIN DBRS-9 GT4 ENDURANCE

				Description	Q.ty	Part number	Comments	
FRONT	A	Disc	Left	Ø 380x32 72 vanes	1	09.8528.74		
			Right	Ø 380x32 72 vanes	1	09.8528.84		
	B	Caliper	Left	M6. 28/30/38	1	XA6.61.21		
			Right	M6. 28/30/38	1	XA6.61.22		
	C	Pad	1 pad kit	---	---	---	---	
				Brembo Racing Pad RB-340	1	B24.25.340		
	D	Bracket	Left	---	---	---		
			Right	---	---	---		
REAR	E	Disc	Left	Ø 332x32 48 vanes	1	09.8666.70		
			Right	Ø 332x32 48 vanes	1	09.8666.80		
	F	Caliper	Left	M4. 28/36	1	20.8271.30	Till stock clearance	
			Right	M4. 28/36	1	20.8271.40		
	G	Pad	1 pad kit	---	---	---	---	
				Brembo Racing Pad RB-340	1	B18.26.340		
	H	Bracket	Left	---	---	---		
			Right	---	---	---		
M/C	M	Front		---	---	---		
	N	Rear		---	---	---		
	O	Clutch		---	---	---		

## ASTON MARTIN GTE

				Description	Q.ty	Part number	Comments	
FRONT	A	Disc	Left	Ø 380x32	1	09.A464.76	Disc assemblies: XB2.L2.11/12 Bell: XB2.L2.10	
			Right	Ø 380x32	1	09.A464.86		
	A	Disc	Left	Ø 380x35	1	09.A464.56	Disc assemblies: XB2.L2.13/14 Bell: XB2.L2.10	
			Right	Ø 380x35	1	09.A464.66		
	B	Caliper	Left	M6. 28/30/38	1	XA8.31.31		
			Right	M6. 28/30/38	1	XA8.31.32		
	C	Pad	1 pad kit	Brembo Racing Pad RB-340	1	B24.29.340	Alternative (sprint): B24.29.350 Brembo Racing Pad RB-350	
	D	Bracket	Left					
Right								
REAR	E	Disc	Left	Ø 332x32	1	09.A465.70	Disc assemblies: XB2.L2.21/22 Bell: XB2.L2.20	
			Right	Ø 332x32	1	09.A465.80		
	F	Caliper	Left	M4. 28/36	1	XB0.L2.63		
			Right	M4. 28/36	1	XB0.L2.64		
	G	Pad	1 pad kit	---	---	---	---	
				Brembo Racing Pad RB-340	1	B13.26.340	Alternative: B13.26.330 Brembo Racing Pad RB-330	
	H	Bracket	Left					
			Right					
M/C	M	Front						
	N	Rear						
	O	Clutch						

## ASTON MARTIN GT3

				Description	Q.ty	Part number	Comments
FRONT	A	Disc	Left	Ø 380x32	1	09.A464.76	Disc assemblies: XB1.88.13/14 Bell: XB1.88.10
			Right	Ø 380x32	1	09.A464.86	
	A	Disc	Left	Ø 380x34 (wide)	1	59.B979.12	Disc assemblies: XB1.88.31/32 Bell: XB1.88.30
			Right	Ø 380x34 (wide)	1	59.B979.22	
	B	Caliper	Left	M6. 28/30/38	1	XA6.61.21	
			Right	M6. 28/30/38	1	XA6.61.22	
C	Pad	1 pad kit	Brembo Racing Pad RB-340	1	B24.25.340	Alternative (sprint): B24.25.350 Brembo Racing Pad RB-350	
C	Pad	1 pad kit	Brembo Racing Pad RB-340 (wide)	1	B28.25.340	Alternative (sprint): B28.25.350 Brembo Racing Pad RB-350	
D	Bracket	Left Right					
REAR	E	Disc	Left	Ø 332x32	1	09.A465.70	Disc assemblies: XB1.88.21/22 Bell: XB1.88.20
			Right	Ø 332x32	1	09.A465.80	
	F	Caliper	Left	M4. 28/36	1	XB0.L2.53	
			Right	M4. 28/36	1	XB0.L2.54	
G	Pad	1 pad kit	Brembo Racing Pad RB-340	1	B13.26.340	Alternative: B13.26.330 Brembo Racing Pad RB-330	
H	Bracket	Left Right					
M/C	M	Front					
	N	Rear					
	O	Clutch		---			

## AUDI R8 GT3

				Description	Q.ty	Part number	Comments
FRONT	A	Disc	Left	Ø 370x35 72 vanes	1	09.8528.55	
			Right	Ø 370x35 72 vanes	1	09.8528.65	
	B	Caliper	Left	M6. 28/30/38	1	XA6.61.21	
			Right	M6. 28/30/38	1	XA6.61.22	
C	Pad	1 pad kit	---	---	---		
			Brembo Racing Pad RB-340	1	B24.25.340		
D	Bracket	Left Right	---	---	---		
REAR	E	Disc	Left	Ø 355x32 72 vanes	1	09.9306.11	
			Right	Ø 355x32 72 vanes	1	09.9306.21	
	F	Caliper	Left	M4. 28/36	1	XA2.E7.13	
			Right	M4. 28/36	1	XA2.E7.14	
G	Pad	1 pad kit	---	---	---		
			Brembo Racing Pad RB-330	1	B13.26.330		
H	Bracket	Left Right	---	---	---		
M/C	M	Front		---	---	---	
	N	Rear		---	---	---	
	O	Clutch		---	---	---	

## BENTLEY GT3

				Description	Q.ty	Part number	Comments
FRONT	A	Disc	Left	Ø 390x35	1	59.B979.36	Disc assemblies: XB3.59.33/34 Bell: XB3.59.30
			Right	Ø 390x35	1	59.B979.46	
	B	Caliper	Left	M6. 28/30/38	1	XB2.V0.01	
			Right	M6. 28/30/38	1	XB2.V0.02	
C	Pad	1 pad kit	---	---	---	---	Alternative: B21.30.350 Brembo Racing Pad RB-350
			Brembo Racing Pad RB-340	1	B21.30.340	---	
D	Bracket	Left	---	---	---	---	
		Right	---	---	---	---	
REAR	E	Disc	Left	Ø 355x32	1	09.A465.13	Disc assemblies: XB3.59.41/42 Bell: XB3.59.40
			Right	Ø 355x32	1	09.A465.23	
	F	Caliper	Left	M4. 28/36	1	XB0.L2.13	
			Right	M4. 28/36	1	XB0.L2.14	
G	Pad	1 pad kit	---	---	---	---	Alternative: B13.26.330 Brembo Racing Pad RB-330
			Brembo Racing Pad RB-340	1	B13.26.340	---	
H	Bracket	Left	---	---	---	---	
		Right	---	---	---	---	
M/C	M	Front		---	---	---	
	N	Rear		---	---	---	
	O	Clutch		---	---	---	

## BMW X3 RALLYRAID

				Description	Q.ty	Part number	Comments	
FRONT	A	Disc	Left	Ø 320x28 48 vanes	1	09.8356.30	Fixing Bushes: XA1.B6.27	
			Right	Ø 320x28 48 vanes	1	09.8356.40		
	B	Caliper	Left	M6. 30/32/40	1	XA8.E0.01		Alternative: XA8.Z4.01/02/03/04
			Right	M6. 30/32/40	1	XA8.E0.02		
C	Pad	1 pad kit	---	---	---	---		
			---	---	---	---		
D	Bracket	Left	---	---	---	---		
		Right	---	---	---	---		
REAR	E	Disc	Left	Ø 320x28 48 vanes	1	09.8356.30	Fixing Bushes XA1.B6.27	
			Right	Ø 320x28 48 vanes	1	09.8356.40		
	F	Caliper	Left	M6. 30/32/40	1	XA8.E0.01		Alternative: XA8.Z4.01/02/03/04
			Right	M6. 30/32/40	1	XA8.E0.02		
G	Pad	1 pad kit	---	---	---	---		
			---	---	---	---		
H	Bracket	Left	---	---	---	---		
		Right	---	---	---	---		
M/C	M	Front		---	---	---		
	N	Rear		---	---	---		
	O	Clutch		---	---	---		

## CHEVROLET CAMARO GS/GTS

				Description	Q.ty	Part number	Comments
FRONT	A	Disc	Left	Ø 380x32 72 vanes	1	09.8528.74	Bell: 16.B770.27
			Right	Ø 380x32 72 vanes	1	09.8528.84	
	B	Caliper	Left	P4. 38/42	1	XB.105.11	
			Right	P4. 38/42	1	XB.105.12	
C	Pad	1 pad kit	---	---	---	---	
			Brembo Racing Pad RB-340	1	BRP34-2022.28B		
D	Bracket	Left	Bracket	2	20.B771.19		
		Right	---	---	---		
REAR	E	Disc	Left	Ø 313x25 48 vanes	1	09.7277.55	Bell: 80.1252
			Right	Ø 313x25 48 vanes	1	09.7277.65	
	F	Caliper	Left	V6 caliper	1	OE	
			Right	V6 caliper	1	OE	
G	Pad	1 pad kit	---	---	---	---	
			---	---	---	---	
H	Bracket	Left	---	---	---		
		Right	---	---	---		
M/C	M	Front		---	---	---	
	N	Rear		---	---	---	
	O	Clutch		---	---	---	

## CHEVROLET CORVETTE C6 GT3 (OPTIONAL BRAKE SYSTEM)

				Description	Q.ty	Part number	Comments
FRONT	A	Disc	Left	Ø 380x35 72 vanes	1	09.8528.78	
			Right	Ø 380x35 72 vanes	1	09.8528.88	
	B	Caliper	Left	M6. 28/30/38	1	XA6.61.21	
			Right	M6. 28/30/38	1	XA6.61.22	
C	Pad	1 pad kit	---	---	---	---	
			Brembo Racing Pad RB-340	1	B24.25.340		
D	Bracket	Left	---	---	---	---	
		Right	---	---	---	---	
REAR	E	Disc	Left	---	---	---	
			Right	---	---	---	
	F	Caliper	Left	---	---	---	
			Right	---	---	---	
G	Pad	1 pad kit	---	---	---	---	
			---	---	---	---	
H	Bracket	Left	---	---	---	---	
		Right	---	---	---	---	
M/C	M	Front		---	---	---	
	N	Rear		---	---	---	
	O	Clutch		---	---	---	

## CHEVROLET CORVETTE C6 SCCA T1

				Description	Q.ty	Part number	Comments
FRONT	A	Disc	Left	Ø 355x32 48 vanes	1	09.A026.13	Bell: 16.B770.09
			Right	Ø 355x32 48 vanes	1	09.A026.23	
	B	Caliper	Left	P4. 38/42	1	XB.105.11	
			Right	P4. 38/42	1	XB.105.12	
C	Pad	1 pad kit	---	---	---	---	
			Brembo BRP2 Friction Material	1	BRP2-2022.28B		
D	Bracket	Left	Bracket	2	20.B771.08		
		Right	---	---	---		
REAR	E	Disc	Left	---	---	---	
			Right	---	---	---	
	F	Caliper	Left	---	---	---	
			Right	---	---	---	
G	Pad	1 pad kit	---	---	---	---	
			---	---	---	---	
H	Bracket	Left	---	---	---		
		Right	---	---	---		
M/C	M	Front		---	---	---	
	N	Rear		---	---	---	
	O	Clutch		---	---	---	

## CHEVROLET CORVETTE C6 W.C. GT/ROLEX GT

				Description	Q.ty	Part number	Comments
FRONT	A	Disc	Left	Ø 380x32 72 vanes	1	09.8528.74	Bell: 85.1195
			Right	Ø 380x32 72 vanes	1	09.8528.84	
	B	Caliper	Left	M6. 28/30/38	1	XA5.C2.01	
			Right	M6. 28/30/38	1	XA5.C2.02	
C	Pad	1 pad kit	---	---	---	---	
			Brembo BRP2 Friction Material	1	BRP2-1980.22B		
D	Bracket	Left	---	---	---		
		Right	---	---	---		
REAR	E	Disc	Left	Ø 328x28 48 vanes	1	09.9226.10	Bell: 90.1226
			Right	Ø 328x28 48 vanes	1	09.9226.20	
	F	Caliper	Left	P4. 30/34	1	XA4.R7.03	
			Right	P4. 30/34	1	XA4.R7.04	
G	Pad	1 pad kit	---	---	---	---	
			Brembo BRP3 Friction Material	1	BRP3-1697.20B		
H	Bracket	Left	---	---	---		
		Right	---	---	---		
M/C	M	Front		---	---	---	
	N	Rear		---	---	---	
	O	Clutch		---	---	---	

## DODGE VIPER GTE

				Description	Q.ty	Part number	Comments
FRONT	A	Disc	Left	Ø 380x32 72 vanes	1	09.8528.33	
			Right	Ø 380x32 72 vanes	1	09.8528.43	
	B	Caliper	Left	M6. 28/30/28	1	XA8.31.31	
			Right	M6. 28/30/28	1	XA8.31.32	
C	Pad	1 pad kit	---	---	---	---	
			Brembo Racing Pad RB-340	1	B28.29.340		
D	Bracket	Left	---	---	---		
		Right	---	---	---		
REAR	E	Disc	Left	Ø 328X28 48 vanes	1	09.9226.10	
			Right	Ø 328X28 48 vanes	1	09.9226.20	
	F	Caliper	Left	M4. 28/36	1	XB0.L2.53	
			Right	M4. 28/36	1	XB0.L2.54	
G	Pad	1 pad kit	---	---	---	---	
			Brembo Racing Pad RB-330	1	B13.25.340		
H	Bracket	Left	---	---	---		
		Right	---	---	---		
M/C	M	Front		---	---	---	
	N	Rear		---	---	---	
	O	Clutch		---	---	---	

## DODGE VIPER GT3

				Description	Q.ty	Part number	Comments
FRONT	A	Disc	Left	Ø 380x32 72 vanes	1	09.8528.33	
			Right	Ø 380x32 72 vanes	1	09.8528.43	
	B	Caliper	Left	M6. 28/30/28	1	XB0.64.01	
			Right	M6. 28/30/28	1	XB0.64.02	
C	Pad	1 pad kit	---	---	---	---	
			Brembo Racing Pad RB-340	1	B28.29.340		
D	Bracket	Left	---	---	---		
		Right	---	---	---		
REAR	E	Disc	Left	Ø 328X28 48 vanes	1	09.9226.10	
			Right	Ø 328X28 48 vanes	1	09.9226.20	
	F	Caliper	Left	M4. 28/36	1	XB0.L2.53	
			Right	M4. 28/36	1	XB0.L2.54	
G	Pad	1 pad kit	---	---	---	---	
			Brembo Racing Pad RB-330	1	B13.25.330		
H	Bracket	Left	---	---	---		
		Right	---	---	---		
M/C	M	Front		---	---	---	
	N	Rear		---	---	---	
	O	Clutch		---	---	---	



### F3 2008 - 2011

				Description	Q.ty	Part number	Comments	
FRONT	A	Disc	Left	Ø 278x18 48 vanes (24 vanes)	1	09.A261.11 (.30)	STD assemblies: XA6.S1.15/25 STD bell: XA6.S1.40 LIGHT assemblies: XA8.N7.15/25 LIGHT bell: XA6.S1.70	
			Right	Ø 278x18 48 vanes (24 vanes)	1	09.A261.21 (.40)		
	B	Caliper	Left	M4. 30/36	1	XA6.S0.01		Alternative: XA6.S0.21/22 HRB version
			Right	M4. 30/36	1	XA6.S0.02		
C	Pad	1 pad kit	---	---	---	---	Bedded pad kit 707.A469.02	
			Brembo Racing Pad RB-170	1	B10.16.170	---		
D	Bracket	Left	---	---	---	---		
		Right	---	---	---	---		
REAR	E	Disc	Left	Ø278x18 48 vanes (24 vanes)	1	09.A261.11 (.30)	STD assemblies: XA6.S1.15/25 STD bell: XA6.S1.40 LIGHT assemblies: XA8.N7.15/25 LIGHT bell: XA6.S1.70	
			Right	Ø 278x18 48 vanes (24 vanes)	1	09.A261.21 (.40)		
	F	Caliper	Left	M4. 30/36	1	XA6.S0.03		Alternative: XA6.S0.23/24 HRB version
			Right	M4. 30/36	1	XA6.S0.04		
G	Pad	1 pad kit	---	---	---	---	Bedded pad kit 707.A469.02	
			Brembo Racing Pad RB-170	1	B10.16.170	---		
H	Bracket	Left	---	---	---	---		
		Right	---	---	---	---		
M/C	M	Front		---	---	---		
	N	Rear		---	---	---		
	O	Clutch		---	---	---		

### F3 2012->

				Description	Q.ty	Part number	Comments	
FRONT	A	Disc	Left	Ø 278x18 48 vanes (24 vanes)	1	09.A261.11 (.30)		
			Right	Ø 278x18 48 vanes (24 vanes)	1	09.A261.21 (.40)		
	B	Caliper	Left	M4. 30/36	1	XA6.S0.01		Alternative: XA6.S0.21/22 HRB version
			Trail fitting Right	M4. 30/36	1	XA6.S0.02		
	B1	Caliper	Left	M4. 30/36	1	XA6.S0.03		Alternative: XA6.S0.23/24 HRB version
Lead fitting Right			M4. 30/36	1	XA6.S0.04			
C	Pad	1 pad kit	---	---	---	Bedded pad kit 707.A469.02		
D	Bracket	Left	---	---	---	---		
		Right	---	---	---	---		
REAR	E	Disc	Left	Ø278x18 48 vanes (24 vanes)	1	09.A261.11 (.30)		
			Right	Ø 278x18 48 vanes (24 vanes)	1	09.A261.21 (.40)		
	F	Caliper	Left	M4. 30/36	1	XA6.S0.01		Alternative: XA6.S0.23/24 HRB version
			Trail fitting Right	M4. 30/36	1	XA6.S0.02		
	F1	Caliper	Left	M4. 30/36	1	XA6.S0.03		Alternative: XA6.S0.23/24 HRB version
			Lead fitting Right	M4. 30/36	1	XA6.S0.04		
G	Pad	1 pad kit	---	---	---	Bedded pad kit 707.A469.02		
H	Bracket	Left	---	---	---	---		
		Right	---	---	---	---		
M/C	M			Ø 16 - M10x1 (3/8 24UNF)	1	XA6.S2.11 (A1)		
	N			Ø 17,46 - M10x1 (3/8 24UNF)	1	XA6.S2.12 (A2)		
	O			Ø 19 - M10x1 (3/8 24UNF)	1	XA6.S2.13 (A3)		
	P			Ø 20,64 - M10x1 (3/8 24UNF)	1	XA6.S2.14 (A4)		

### F3 OLD

				Description	Q.ty	Part number	Comments
FRONT	A	Disc	Left	Ø 278x16x40 Pillar Cast Iron	1	09.8386.16	
			Right	Ø 278x16x40 Pillar Cast Iron	1	09.8386.16	
	B	Caliper	Left	P4. 34/38	1	XA4.10.01	
			Right	P4. 34/38	1	XA4.10.02	
C	Pad	1 pad kit	---	---	---	---	
			Brembo Racing Pad RB-170	1	B08.16.170		
D	Bracket	Left	---	---	---	---	
		Right	---	---	---	---	
REAR	E	Disc	Left	Ø 278x16x40 Pillar Cast Iron	1	09.8386.16	
			Right	Ø 278x16x40 Pillar Cast Iron	1	09.8386.16	
	F	Caliper	Left	P4. 34/38	1	XA4.10.03	
			Right	P4. 34/38	1	XA4.10.04	
G	Pad	1 pad kit	---	---	---	---	
			Brembo Racing Pad RB-170	1	B08.16.170		
H	Bracket	Left	---	---	---	---	
		Right	---	---	---	---	
M/C	M	Front		Brembo 19,05 mm	1	10.9243.74	
	N	Rear		Brembo 19,05 mm	1	10.9243.74	
	O	Clutch		Brembo 17,46 mm	1	10.9243.54	

### FERRARI 430 BERLINETTA (GT2/GT3 CATEGORY)

				Description	Q.ty	Part number	Comments
FRONT	A	Disc	Left	Ø 380x32 72 vanes	1	09.8528.74	Disc assemblies: XA2.87.33/34 Bell: XA2.87.30
			Right	Ø 380x32 72 vanes	1	09.8528.84	
	B	Caliper	Left	M6. 28/30/38	1	XA4.F1.01	
			Right	M6. 28/30/38	1	XA4.F1.02	
C	Pad	1 pad kit	---	---	---	---	
			Brembo Racing Pad RB-170	1	B24.29.170		
D	Bracket	Left	---	---	---	---	
		Right	---	---	---	---	
REAR	E	Disc	Left	Ø 332x32 48 vanes	1	09.8666.70	Disc assemblies: XA2.87.41/42 Bell: XA2.87.40
			Right	Ø 332x32 48 vanes	1	09.8666.80	
	F	Caliper	Left	P4. 28/36	1	XA2.E7.13	
			Right	P4. 28/36	1	XA2.E7.14	
G	Pad	1 pad kit	---	---	---	---	
			Brembo Racing Pad RB-170	1	B13.26.170		
H	Bracket	Left	---	---	---	---	
		Right	---	---	---	---	
M/C	M	Front		Brembo 19,05 mm	1	10.9243.74	
	N	Rear		Brembo 17,46 mm	1	10.9243.54	
	O	Clutch		Brembo 17,46 mm	1	10.9243.54	

## FERRARI 458 GTE

				Description	Q.ty	Part number	Comments	
FRONT	A	Disc	Left	Ø 380x35 72 vanes	1	09.A464.30		
			Right	Ø 380x35 72 vanes	1	09.A464.40		
	B	Caliper	Left	M6. 28/30/38	1	XA8.31.31		
			Right	M6. 28/30/38	1	XA8.31.32		
	C	Pad	1 pad kit	---	---	---	---	
				Brembo Racing Pad RB-340	1	B28.29.340		
	D	Bracket	Left	---	---	---		
			Right	---	---	---		
REAR	E	Disc	Left	Ø 332x32 72 vanes	1	09.A465.70		
			Right	Ø 332x32 72 vanes	1	09.A465.80		
	F	Caliper	Left	M4. 28/36	1	XB0.L2.13		
			Right	M4. 28/36	1	XB0.L2.14		
	G	Pad	1 pad kit	---	---	---	---	
				Brembo Racing Pad RB-330	1	B13.26.330		
	H	Bracket	Left	---	---	---		
			Right	---	---	---		
M/C	M	Front		---	---	---		
	N	Rear		---	---	---		
	O	Clutch		---	---	---		

## FERRARI 458 GT3 SPRINT

				Description	Q.ty	Part number	Comments	
FRONT	A	Disc	Left	Ø 380x34 72 vanes	1	09.8528.31		
			Right	Ø 380x34 72 vanes	1	09.8528.41		
	B	Caliper	Left	M6. 28/30/38	1	XA6.61.21		
			Right	M6. 28/30/38	1	XA6.61.22		
	C	Pad	1 pad kit	---	---	---	---	
				Brembo Racing Pad RB-340/350	1	B28.25.340/350		
	D	Bracket	Left	---	---	---		
			Right	---	---	---		
REAR	E	Disc	Left	Ø 355x32 72 vanes	1	09.A465.13		
			Right	Ø 355x32 72 vanes	1	09.A465.23		
	F	Caliper	Left	M4. 28/36	1	XB0.L2.13		
			Right	M4. 28/36	1	XB0.L2.14		
	G	Pad	1 pad kit	---	---	---	---	
				Brembo Racing Pad RB-330	1	B13.26.330		
	H	Bracket	Left	---	---	---		
			Right	---	---	---		
M/C	M	Front		---	---	---		
	N	Rear		---	---	---		
	O	Clutch		---	---	---		

## FERRARI 458 GT3 ENDURANCE

				Description	Q.ty	Part number	Comments
FRONT	A	Disc	Left	Ø 380x34 72 vanes	1	09.8528.31	
			Right	Ø 380x34 72 vanes	1	09.8528.41	
	B	Caliper	Left	M6. 28/30/38	1	XA8.31.31	
			Right	M6. 28/30/38	1	XA8.31.32	
C	Pad	1 pad kit	---	---	---	---	
			Brembo Racing Pad RB-340	1	B28.29.340		
D	Bracket	Left	---	---	---	---	
		Right	---	---	---	---	
REAR	E	Disc	Left	Ø 355x32 72 vanes	1	09.A465.13	
			Right	Ø 355x32 72 vanes	1	09.A465.23	
	F	Caliper	Left	M4. 28/36	1	XB0.L2.13	
			Right	M4. 28/36	1	XB0.L2.14	
G	Pad	1 pad kit	---	---	---	---	
			Brembo Racing Pad RB-330	1	B13.26.330		
H	Bracket	Left	---	---	---	---	
		Right	---	---	---	---	
M/C	M	Front		---	---	---	
	N	Rear		---	---	---	
	O	Clutch		---	---	---	

## FIAT PUNTO S1600 GRAVEL

				Description	Q.ty	Part number	Comments
FRONT	A	Disc	Left	Ø 300x25,4 48 vanes	1	09.7277.13	
			Right	Ø 300x25,4 48 vanes	1	09.7277.23	
	B	Caliper	Left	M4. 36/42	1	XA0.80.43	Out of production. Alternative: XA5.T0.03/04
			Right	M4. 36/42	1	XA0.80.44	
C	Pad	1 pad kit	---	---	---	---	
			Brembo Racing Pad RB-170	1	B13.16.170		
D	Bracket	Left	---	---	---	---	
		Right	---	---	---	---	
REAR	E	Disc	Left	Ø 278x6,5	1	X95.50.60	
			Right	Ø 278x6,5	1	X95.50.60	
	F	Caliper	Left	P2. 38	1	X97.24.01	Out of production. Alternative: XA8.U2.01
			Right	P2. 38	1	X97.24.01	
G	Pad	1 pad kit	Ferodo DS2000	4	07.1715.50		
			---	---	---		
H	Bracket	Left	---	---	---	---	
		Right	---	---	---	---	
M/C	M	Front		---	1	10.6815...	
	N	Rear		---	1	10.6815...	
	O	Clutch		---	1	10.6815...	

## FIAT PUNTO S1600 TARMAC

				Description	Q.ty	Part number	Comments	
FRONT	A	Disc	Left	Ø 355x28	1	09.5759.17		
			Right	Ø 355x28	1	09.5759.27		
	B	Caliper	Left	M4. 36/42	1	XA0.80.43	Out of production. Alternative: XA5.TO.03/04	
			Right	M4. 36/42	1	XA0.80.44		
	C	Pad	1 pad kit	---	---	---	---	
				Brembo Racing Pad RB-170	1	B13.16.170		
	D	Bracket	Left	---	---	---		
			Right	---	---	---		
REAR	E	Disc	Left	Ø 278x6,5	1	X95.50.60		
			Right	Ø 278x6,5	1	X95.50.60		
	F	Caliper	Left	P2. 38	1	X97.24.01	Out of production. Alternative: XA8.U2.01	
			Right	P2. 38	1	X97.24.01		
	G	Pad	1 pad kit	Ferodo DS2000	4	07.1715.50		
				---	---	---		
	H	Bracket	Left	---	---	---		
			Right	---	---	---		
M/C	M	Front		---	1	10.6815...		
	N	Rear		---	1	10.6815...		
	O	Clutch		---	1	10.6815...		

## FIAT GRANDE PUNTO S2000 GRAVEL

				Description	Q.ty	Part number	Comments	
FRONT	A	Disc	Left	Ø 300x28 60 vanes	1	09.9021.18		
			Right	Ø 300x28 60 vanes	1	09.9021.28		
	B	Caliper	Left	M4. 38/44	1	XA5.09.03		
			Right	M4. 38/44	1	XA5.09.04		
	C	Pad	1 pad kit	---	---	---	---	
				Brembo Racing Pad RB-330	1	B18.17.330		
	D	Bracket	Left	---	---	---		
			Right	---	---	---		
REAR	E	Disc	Left	Ø 300x28 60 vanes	1	09.9021.18		
			Right	Ø 300x28 60 vanes	1	09.9021.28		
	F	Caliper	Left	M4. 38/44	1	XA5.09.03		
			Right	M4. 38/44	1	XA5.09.04		
	G	Pad	1 pad kit	---	---	---	---	
				Brembo Racing Pad RB-330	1	B18.17.330		
	H	Bracket	Left	---	---	---		
			Right	---	---	---		
M/C	M	Front		---	---	---		
	N	Rear		---	---	---		
	O	Clutch		---	---	---		

## FIAT GRANDE PUNTO S2000 TARMAC

				Description	Q.ty	Part number	Comments	
<b>FRONT</b>	A	Disc	Left	Ø 355x32 72 vanes	1	09.9306.50		
			Right	Ø 355x32 72 vanes	1	09.9306.60		
	B	Caliper	Left	M4. 38/44	1	XA5.09.03		
			Right	M4. 38/44	1	XA5.09.04		
	C	Pad	1 pad kit	---	---	---	---	
				Brembo Racing Pad RB-350	1	B19.17.350		
	D	Bracket	Left	---	---	---		
			Right	---	---	---		
<b>REAR</b>	E	Disc	Left	Ø 300x28 60 vanes	1	09.9021.18		
			Right	Ø 300x28 60 vanes	1	09.9021.28		
	F	Caliper	Left	M4. 38/44	1	XA5.09.03		
			Right	M4. 38/44	1	XA5.09.04		
	G	Pad	1 pad kit	---	---	---	---	
				Brembo Racing Pad RB-350	1	B18.17.350		
	H	Bracket	Left	---	---	---		
			Right	---	---	---		
<b>M/C</b>	M	Front		---	---	---		
	N	Rear		---	---	---		
	O	Clutch		---	---	---		

## FORD FIESTA S2000 GRAVEL

				Description	Q.ty	Part number	Comments	
<b>FRONT</b>	A	Disc	Left	Ø 300x25,4	1	XA9.BD.09	Bedded .10/20	
			Right	Ø 300x25,4	1	XA9.BD.19		
	B	Caliper	Left	M4. 32/38	1	XA9.E3.01		
			Right	M4. 32/38	1	XA9.E3.02		
	C	Pad	1 pad kit	---	---	---	---	
				Brembo Racing Pad RB-330	1	B18.17.330		
	D	Bracket	Left	---	---	---		
			Right	---	---	---		
<b>REAR</b>	E	Disc	Left	Ø 300x25,4	1	XA9.BD.09	Bedded .10/20	
			Right	Ø 300x25,4	1	XA9.BD.19		
	F	Caliper	Left	M4. 32/38	1	XA9.E3.01		
			Right	M4. 32/38	1	XA9.E3.02		
	G	Pad	1 pad kit	---	---	---	---	
				Brembo Racing Pad RB-330	1	B18.17.330		
	H	Bracket	Left	---	---	---		
			Right	---	---	---		
<b>M/C</b>	M	Front		---	---	---		
	N	Rear		---	---	---		
	O	Clutch		---	---	---		

## FORD FIESTA S2000 TARMAC

				Description	Q.ty	Part number	Comments
FRONT	A	Disc	Left	Ø 355x30	1	709.A996.10	Bedded disc assemblies: XA2.42.15/25 Bell: XA2.42.10
			Right	Ø 355x30	1	709.A996.20	
	B	Caliper	Left	M4. 32/38	1	XA9.E3.01	
			Right	M4. 32/38	1	XA9.E3.02	
C	Pad	1 pad kit	---	---	---	---	
			Brembo Racing Pad RB-350	1	B18.17.350		
D	Bracket	Left	---	---	---		
		Right	---	---	---		
REAR	E	Disc	Left	Ø 300x25,4	1	XA9.BD.09	Bedded .10/20
			Right	Ø 300x25,4	1	XA9.BD.19	
	F	Caliper	Left	M4. 32/38	1	XA9.E3.01	
			Right	M4. 32/38	1	XA9.E3.02	
G	Pad	1 pad kit	---	---	---	---	
			Brembo Racing Pad RB-350	1	B18.17.350		
H	Bracket	Left	---	---	---		
		Right	---	---	---		
M/C	M	Front		---	---	---	
	N	Rear		---	---	---	
	O	Clutch		---	---	---	

## FORD MUSTANG S197 BOSS 302R (GS/GTS/T1)

				Description	Q.ty	Part number	Comments
FRONT	A	Disc	Left	Ø 380x32 72 vanes	1	09.8528.74	Bell: 16.B770.21
			Right	Ø 380x32 72 vanes	1	09.8528.84	
	B	Caliper	Left	P4. 38/42	1	XB.105.11	
			Right	P4. 38/42	1	XB.105.12	
C	Pad	1 pad kit	---	---	---	---	
			Brembo BRP2 Friction Material	1	BRP2-2022.28B		
D	Bracket	Left	Bracket	2	20.B771.15		
		Right	---	---	---		
REAR	E	Disc	Left	---	---	---	
			Right	---	---	---	
	F	Caliper	Left	---	---	---	
			Right	---	---	---	
G	Pad	1 pad kit	---	---	---	---	
			---	---	---	---	
H	Bracket	Left	---	---	---		
		Right	---	---	---		
M/C	M	Front		---	---	---	
	N	Rear		---	---	---	
	O	Clutch		---	---	---	

## HONDA CIVIC TYPE R R3 GRAVEL

				Description	Q.ty	Part number	Comments
FRONT	A	Disc	Left	Ø 300x25,4	1	09.7277.13	
			Right	Ø 300x25,4	1	09.7277.23	
	B	Caliper	Left	P4. 36/40	1	XA6.J1.23	Out of production
			Right	P4. 36/40	1	XA6.J1.24	
C	Pad	1 pad kit	---	---	---		
D	Bracket	Left	---	---	---		
		Right	---	---	---		
REAR	E	Disc	Left	Ø 278x6,4	1	08.4695.43	
			Right	Ø 278x6,4	1	08.4695.43	
	F	Caliper	Left	P2. 38	1	X97.24.01	Out of production. Alternative: XA8.U2.01
			Right	P2. 38	1	X97.24.01	
G	Pad	1 pad kit	---	---	---		
H	Bracket	Left	---	---	---		
		Right	---	---	---		
M/C	M	Front		---	---	---	
	N	Rear		---	---	---	
	O	Clutch		---	---	---	

## HONDA CIVIC TYPE R R3 TARMAÇ

				Description	Q.ty	Part number	Comments
FRONT	A	Disc	Left	Ø 328x32	1	09.5682.53	Alternative with different slot type 09.9226.39/49
			Right	Ø 328x32	1	09.5682.63	
	B	Caliper	Left	P4. 40/44	1	XA6.J1.03	Out of production
			Right	P4. 40/44	1	XA6.J1.04	
C	Pad	1 pad kit	---	---	---		
D	Bracket	Left	---	---	---		
		Right	---	---	---		
REAR	E	Disc	Left	Ø 278x6,4	1	08.4695.43	
			Right	Ø 278x6,4	1	08.4695.43	
	F	Caliper	Left	P2. 38	1	X97.24.01	Out of production. Alternative: XA8.U2.01
			Right	P2. 38	1	X97.24.01	
G	Pad	1 pad kit	---	---	---		
H	Bracket	Left	---	---	---		
		Right	---	---	---		
M/C	M	Front		---	---	---	
	N	Rear		---	---	---	
	O	Clutch		---	---	---	



## IMSA T.U.S.C. DAYTONA PROTOTYPE (LMP)

				Description	Q.ty	Part number	Comments
FRONT	A	Disc	Left	Ø 380x32 CC	1	XA6.M3.C2	
			Right	Ø 380x32 CC	1	XA6.M3.C2	
	B	Caliper	Left	M6. 28/30/38	1	XA5.C2.01	
			Right	M6. 28/30/38	1	XA5.C2.02	
	C	Pad	1 pad kit	162x25 CC ---	4 ---	07.9076.10 ---	
	D	Bracket	Left	---	---	---	
			Right	---	---	---	
	REAR	E	Disc	Left	Ø 355x32 CC	1	XA6.M3.C3
Right				Ø 355x32 CC	1	XA6.M3.C3	
F		Caliper	Left	M6. 28/30/38	1	XA5.C2.01	
			Right	M6. 28/30/38	1	XA5.C2.02	
G		Pad	1 pad kit	162x25 CC ---	4 ---	07.9076.10 ---	
H		Bracket	Left	---	---	---	
			Right	---	---	---	
M/C		M	Front		---	---	---
	N	Rear		---	---	---	
	O	Clutch		---	---	---	

## LAMBORGHINI GALLARDO SUPER TROFEO >2012

				Description	Q.ty	Part number	Comments
FRONT	A	Disc	Left	Ø 375x35 72 vanes	1	09.8528.51	
			Right	Ø 375x35 72 vanes	1	09.8528.61	
	B	Caliper	Left	M6. 28/30/38	1	XA6.61.01	
			Right	M6. 28/30/38	1	XA6.61.02	
	C	Pad	1 pad kit	--- Brembo Racing Pad RB-170	--- 1	--- B24.25.170	
	D	Bracket	Left	---	---	---	
			Right	---	---	---	
	REAR	E	Disc	Left	Ø 355x32 72 vanes	1	09.9306.11
Right				Ø 355x32 72 vanes	1	09.9306.21	
F		Caliper	Left	P4. 28/36	1	XA8.30.13	
			Right	P4. 28/36	1	XA8.30.14	
G		Pad	1 pad kit	--- Brembo Racing Pad RB-170	--- 1	--- B13.26.170	
H		Bracket	Left	---	---	---	
			Right	---	---	---	
M/C		M	Front		---	---	---
	N	Rear		---	---	---	
	O	Clutch		---	---	---	

## MASERATI TROFEO GT4

				Description	Q.ty	Part number	Comments
FRONT	A	Disc	Left	Ø 380x35 72 vanes	1	09.8528.78	Disc assemblies: XA8.29.11/12 Bell: XA8.29.13
			Right	Ø 380x35 72 vanes	1	09.8528.88	
	B	Caliper	Left	M6. 28/30/38	1	XA6.61.01	
			Right	M6. 28/30/38	1	XA6.61.02	
C	Pad	1 pad kit	---	---	---	---	
			Brembo Racing Pad RB-170	1	B24.25.170		
D	Bracket	Left	---	---	---	---	
		Right	---	---	---	---	
REAR	E	Disc	Left	Ø 326x26 48 vanes	1	09.A882.10	Disc assemblies: XA8.29.31/32 Bell: XA8.29.33
			Right	Ø 326x26 48 vanes	1	09.A882.20	
	F	Caliper	Left	M4. 30/34	1	XA7.G1.13	
			Right	M4. 30/34	1	XA7.G1.14	
G	Pad	1 pad kit	---	---	---	---	
			Brembo Racing Pad RB-170	1	B09.20.170		
H	Bracket	Left	---	---	---	---	
		Right	---	---	---	---	
M/C	M	Front		---	---	---	
	N	Rear		---	---	---	
	O	Clutch		---	---	---	

## MERCEDES SLS GT3 SPRINT

				Description	Q.ty	Part number	Comments
FRONT	A	Disc	Left	---	---	---	
			Right	---	---	---	
	B	Caliper	Left	M6. 28/30/38	1	XA6.61.51	
			Right	M6. 28/30/38	1	XA6.61.52	
C	Pad	1 pad kit	---	---	---	---	
			Brembo Racing Pad RB-340	1	B24.25.340		
D	Bracket	Left	---	---	---	---	
		Right	---	---	---	---	
REAR	E	Disc	Left	Ø 355x32 48 vanes	1	09.A027.13	
			Right	Ø 355x32 48 vanes	1	09.A027.23	
	F	Caliper	Left	M4. 28/36	1	XA2.E7.13	
			Right	M4. 28/36	1	XA2.E7.14	
G	Pad	1 pad kit	---	---	---	---	
			Brembo Racing Pad RB-340	1	B13.26.340		
H	Bracket	Left	---	---	---	---	
		Right	---	---	---	---	
M/C	M	Front		---	---	---	
	N	Rear		---	---	---	
	O	Clutch		---	---	---	

5

## MERCEDES SLS GT3 ENDURANCE

				Description	Q.ty	Part number	Comments	
FRONT	A	Disc	Left	Ø 380x35 72 vanes	1	09.8528.32		
			Right	Ø 380x35 72 vanes	1	09.8528.42		
	B	Caliper	Left	M6. 28/30/38	1	XA6.61.51		
			Right	M6. 28/30/38	1	XA6.61.52		
	C	Pad	1 pad kit	---	---	---	---	
				Brembo Racing Pad RB-340	1	B29.25.340		
	D	Bracket	Left	---	---	---	---	
			Right	---	---	---	---	
REAR	E	Disc	Left	Ø 355x32 48 vanes	1	09.A027.13		
			Right	Ø 355x32 48 vanes	1	09.A027.23		
	F	Caliper	Left	M4. 28/36	1	XA2.E7.13		
			Right	M4. 28/36	1	XA2.E7.14		
	G	Pad	1 pad kit	---	---	---	---	
				Brembo Racing Pad RB-340	1	B13.26.340		
	H	Bracket	Left	---	---	---	---	
			Right	---	---	---	---	
M/C	M	Front		---	---	---		
	N	Rear		---	---	---		
	O	Clutch		---	---	---		

## MITSUBISHI EVO IX GR.N GRAVEL

				Description	Q.ty	Part number	Comments	
FRONT	A	Disc	Left	Ø 300x30 60 vanes	1	09.8647.12	Disc assemblies: XA5.S5.51/52 Bell: XA5.S5.18	
			Right	Ø 300x30 60 vanes	1	09.8647.22		
	B	Caliper	Left	M4. 38/44	1	XA5.T0.03		
			Right	M4. 38/44	1	XA5.T0.04		
	C	Pad	1 pad kit	---	---	---	---	
				Brembo Racing Pad RB-170/330	1	B18.17.170/330		
	D	Bracket	Left	Bracket	1	XA5.S5.43		
			Right	Bracket	1	XA5.S5.43		
REAR	E	Disc	Left	Ø 295x25,4 48 vanes	1	09.7277.12	Disc assemblies: XA5.S5.23/24 Bell: XA5.S5.26	
			Right	Ø 295x25,4 48 vanes	1	09.7277.22		
	F	Caliper	Left	P4. 26/30	1	XA3.G2.11		
			Right	P4. 26/30	1	XA3.G2.12		
	G	Pad	1 pad kit	---	---	---	---	
				Brembo Racing Pad RB-170	1	B09.20.170		
	H	Bracket	Left	Bracket	1	XA5.S5.14		
			Right	Bracket	1	XA5.S5.14		
M/C	M	Front		---	---	---		
	N	Rear		---	---	---		
	O	Clutch		---	---	---		

## MITSUBISHI EVO IX GR.N TARMAC

				Description	Q.ty	Part number	Comments
FRONT	A	Disc	Left	Ø 355x32 72 vanes	1	09.9306.30	Disc assemblies: XA5.S5.31/32 Bell: XA5.S5.16
			Right	Ø 355x32 72 vanes	1	09.9306.40	
	B	Caliper	Left	M4. 38/44	1	XA5.T0.03	
			Right	M4. 38/44	1	XA5.T0.04	
C	Pad	1 pad kit	---	---	---	---	
			Brembo Racing Pad RB-350	1	B19.17.350		
D	Bracket	Left	Bracket	1	XA5.S5.42		
		Right	Bracket	1	XA5.S5.42		
REAR	E	Disc	Left	Ø 295x25,4 48 vanes	1	09.7277.12	Disc assemblies: XA5.S5.23/24 Bell: XA5.S5.26
			Right	Ø 295x25,4 48 vanes	1	09.7277.22	
	F	Caliper	Left	P4. 26/30	1	XA3.G2.11	
			Right	P4. 26/30	1	XA3.G2.12	
G	Pad	1 pad kit	---	---	---	---	
			Brembo Racing Pad RB-340	1	B09.20.340		
H	Bracket	Left	Bracket	1	XA5.S5.14		
		Right	Bracket	1	XA5.S5.14		
M/C	M	Front		---	---	---	
	N	Rear		---	---	---	
	O	Clutch		---	---	---	

## MITSUBISHI EVO X GR.N GRAVEL

				Description	Q.ty	Part number	Comments
FRONT	A	Disc	Left	Ø 300x30 60 vanes	1	09.8647.13	Disc assemblies: XA7.G0.21/22 Bell: XA7.G0.18
			Right	Ø 300x30 60 vanes	1	09.8647.23	
	B	Caliper	Left	M4. 38/44	1	XA5.T0.03	
			Right	M4. 38/44	1	XA5.T0.04	
C	Pad	1 pad kit	---	---	---	---	
			Brembo Racing Pad RB-170/330	1	B18.17.170/330		
D	Bracket	Left	Bracket	1	XA7.G0.43		
		Right	Bracket	1	XA7.G0.43		
REAR	E	Disc	Left	Ø 295x25,4 48 vanes	1	09.7277.09	Disc assemblies: XA7.G0.23/24 Bell: XA7.G0.26
			Right	Ø 295x25,4 48 vanes	1	09.7277.19	
	F	Caliper	Left	M4. 26/30	1	XA7.G0.11	
			Right	M4. 26/30	1	XA7.G0.12	
G	Pad	1 pad kit	---	---	---	---	
			Brembo Racing Pad RB-170	1	B09.20.170		
H	Bracket	Left	---	---	---		
		Right	---	---	---		
M/C	M	Front		---	---	---	
	N	Rear		---	---	---	
	O	Clutch		---	---	---	

## MITSUBISHI EVO X GR.N TARMAC

				Description	Q.ty	Part number	Comments	
FRONT	A	Disc	Left	Ø 355x32 72 vanes	1	09.9306.31	Disc assemblies: XA7.G0.31/32 Bell: XA7.G0.16	
			Right	Ø 355x32 72 vanes	1	09.9306.41		
	B	Caliper	Left	M4. 38/44	1	XA5.T0.03		Alternative: XA6.S0.21/22
			Right	M4. 38/44	1	XA5.T0.04		
C	Pad	1 pad kit	--- Brembo Racing Pad RB-350	--- 1	--- B19.17.350			
D	Bracket	Left	Bracket	1	XA7.G0.42			
		Right	Bracket	1	XA7.G0.42			
REAR	E	Disc	Left	Ø 295x25,4 48 vanes	1	09.7277.09	Disc assemblies: XA7.G0.23/24 Bell: XA7.G0.26	
			Right	Ø 295x25,4 48 vanes	1	09.7277.19		
	F	Caliper	Left	M4. 26/30	1	XA7.G0.11		
			Right	M4. 26/30	1	XA3.G0.12		
G	Pad	1 pad kit	--- Brembo Racing Pad RB-340	--- 1	--- B09.20.340			
H	Bracket	Left	---	---	---			
		Right	---	---	---			
M/C	M	Front		---	---	---		
	N	Rear		---	---	---		
	O	Clutch		---	---	---		

## MITSUBISHI RALLYRAID

				Description	Q.ty	Part number	Comments	
FRONT	A	Disc	Left	Ø 324x28 48 vanes	1	09.9226.12		
			Right	Ø 324x28 48 vanes	1	09.9226.22		
	B	Caliper	Left	M6. 30/32/40	1	XA3.40.A1		Out of production. Alternative: XA8.Z4.01/02/03/04
			Right	M6. 30/32/40	1	XA3.40.A2		
C	Pad	1 pad kit	--- ---	--- ---	--- ---			
D	Bracket	Left	---	---	---			
		Right	---	---	---			
REAR	E	Disc	Left	Ø 324x28 48 vanes	1	09.9226.12	XA5.36.12/23 - Customer car	
			Right	Ø 324x28 48 vanes	1	09.9226.22		
	F	Caliper	Left	M6. 30/32/40	1	XA3.40.A1		Out of production. Alternative: XA8.Z4.01/02/03/04
			Right	M6. 30/32/40	1	XA3.40.A2		
G	Pad	1 pad kit	--- ---	--- ---	--- ---			
H	Bracket	Left	---	---	---			
		Right	---	---	---			
M/C	M	Front		Brembo 20,64	1	XA6.C2.33		
	N	Rear		Brembo 22,22	1	XA6.C2.34		
	O	Clutch		---	---	---		

## NISSAN GT3

				Description	Q.ty	Part number	Comments
FRONT	A	Disc	Left	Ø 380x34	1	09.8528.12	
			Right	Ø 380x34	1	09.8528.22	
	B	Caliper	Left	M6. 28/30/38	1	XA8.31.31	
			Right	M6. 28/30/38	1	XA8.31.32	
C	Pad	1 pad kit	--- Brembo Racing Pad RB-340	--- 1	--- B28.29.340	Alternative (sprint): B28.29.350 Brembo Racing Pad RB-350	
D	Bracket	Left	---	---	---		
		Right	---	---	---		
REAR	E	Disc	Left	---	---	---	
			Right	---	---	---	
	F	Caliper	Left	M4. 30/30	1	20.A217.31	
			Right	M4. 30/30	1	20.A217.32	
G	Pad	1 pad kit	---	---	---		
H	Bracket	Left	---	---	---		
		Right	---	---	---		
M/C	M	Front	---	---	---		
	N	Rear	---	---	---		
	O	Clutch	---	---	---		

## ORECA FLM-09 (LMPC)

				Description	Q.ty	Part number	Comments
FRONT	A	Disc	Left	Ø 380x32 CC	1	XA6.M3.C2	
			Right	Ø 380x32 CC	1	XA6.M3.C2	
	B	Caliper	Left	M6. 28/30/38	1	XA4.F1.01	
			Right	M6. 28/30/38	1	XA4.F1.02	
C	Pad	1 pad kit	162x26 CC ---	4 ---	07.9076.22 ---		
D	Bracket	Left	---	---	---		
		Right	---	---	---		
REAR	E	Disc	Left	Ø 355x32 CC	1	XA6.M3.C3	
			Right	Ø 355x32 CC	1	XA6.M3.C3	
	F	Caliper	Left	M6. 28/30/38	1	XA4.F1.01	
			Right	M6. 28/30/38	1	XA4.F1.02	
G	Pad	1 pad kit	162x26 CC ---	4 ---	07.9076.22 ---		
H	Bracket	Left	---	---	---		
		Right	---	---	---		
M/C	M	Front	---	---	---		
	N	Rear	---	---	---		
	O	Clutch	---	---	---		

## PEUGEOT 206 S1600 GRAVEL

				Description	Q.ty	Part number	Comments
FRONT	A	Disc	Left	Ø 295x25,4 48 vanes	1	09.7277.12	
			Right	Ø 295x25,4 48 vanes	1	09.7277.22	
	B	Caliper	Left	M4. 36/42	1	XA0.80.53	Out of production. Alternative: XA5.T0.03/04
			Right	M4. 36/42	1	XA0.80.54	
C	Pad	1 pad kit	---	---	---	---	
			Brembo Racing Pad RB-170	1	B12.18.170		
D	Bracket	Left	---	---	---		
		Right	---	---	---		
REAR	E	Disc	Left	Ø 278x6,4	1	08.4695.43	
			Right	Ø 278x6,4	1	08.4695.43	
	F	Caliper	Left	P2. 38	1	X97.24.01	Out of production. Alternative: XA8.U2.01
			Right	P2. 38	1	X97.24.01	
G	Pad	1 pad kit	Ferodo DS2000	4	07.1715.50		
			---	---	---		
H	Bracket	Left	---	---	---		
		Right	---	---	---		
M/C	M	Front		---	1	10.9243...	
	N	Rear		---	1	10.9243...	
	O	Clutch		---	1	10.9243...	

## PEUGEOT 206 S1600 TARMAc

				Description	Q.ty	Part number	Comments
FRONT	A	Disc	Left	Ø 345x28 48 vanes	1	09.5759.36	
			Right	Ø 345x28 48 vanes	1	09.5759.46	
	B	Caliper	Left	M4. 36/42	1	XA0.80.53	Out of production. Alternative: XA5.T0.03/04
			Right	M4. 36/42	1	XA0.80.54	
C	Pad	1 pad kit	---	---	---	---	
			Brembo Racing Pad RB-170	1	B12.18.170		
D	Bracket	Left	---	---	---		
		Right	---	---	---		
REAR	E	Disc	Left	Ø 278x6,4	1	08.4695.43	
			Right	Ø 278x6,4	1	08.4695.43	
	F	Caliper	Left	P2. 38	1	X97.24.01	Out of production. Alternative: XA8.U2.01
			Right	P2. 38	1	X97.24.01	
G	Pad	1 pad kit	Ferodo DS2000	4	07.1715.50		
			---	---	---		
H	Bracket	Left	---	---	---		
		Right	---	---	---		
M/C	M	Front		---	1	10.9243...	
	N	Rear		---	1	10.9243...	
	O	Clutch		---	1	10.9243...	

## PEUGEOT 207 S2000 GRAVEL

				Description	Q.ty	Part number	Comments	
FRONT	A	Disc	Left	Ø 295x25,4 48 vanes	1	09.7277.12		
			Right	Ø 295x25,4 48 vanes	1	09.7277.22		
	B	Caliper	Left	M4. 38/44	1	XA9.Y6.53		
			Right	M4. 38/44	1	XA9.Y6.54		
	C	Pad	1 pad kit	---	---	---	---	
				Brembo Racing Pad RB-330	1	B18.17.330		
	D	Bracket	Left	---	---	---	---	
			Right	---	---	---	---	
REAR	E	Disc	Left	Ø 295x25,4 48 vanes	1	09.7277.12		
			Right	Ø 295x25,4 48 vanes	1	09.7277.22		
	F	Caliper	Left	M4. 38/44	1	XA9.Y6.53		
			Right	M4. 38/44	1	XA9.Y6.54		
	G	Pad	1 pad kit	---	---	---	---	
				Brembo Racing Pad RB-330	1	B18.17.330		
	H	Bracket	Left	---	---	---	---	
			Right	---	---	---	---	
M/C	M	Front		---	---	---		
	N	Rear		---	---	---		
	O	Clutch		---	---	---		

## PEUGEOT 207 S2000 TARMAc

				Description	Q.ty	Part number	Comments	
FRONT	A	Disc	Left	Ø 355x32 48 vanes	1	09.A026.13		
			Right	Ø 355x32 48 vanes	1	09.A026.23		
	B	Caliper	Left	M4. 38/44	1	XA9.Y6.53		
			Right	M4. 38/44	1	XA9.Y6.54		
	C	Pad	1 pad kit	---	---	---	---	
				Brembo Racing Pad RB-350	1	B18.17.350		
	D	Bracket	Left	---	---	---	---	
			Right	---	---	---	---	
REAR	E	Disc	Left	Ø 295x25,4 48 vanes	1	09.7277.12		
			Right	Ø 295x25,4 48 vanes	1	09.7277.22		
	F	Caliper	Left	M4. 38/44	1	XA9.Y6.53		
			Right	M4. 38/44	1	XA9.Y6.54		
	G	Pad	1 pad kit	---	---	---	---	
				Brembo Racing Pad RB-350	1	B26.17.350		
	H	Bracket	Left	---	---	---	---	
			Right	---	---	---	---	
M/C	M	Front		---	---	---		
	N	Rear		---	---	---		
	O	Clutch		---	---	---		



## PEUGEOT 207 S2000 EVO GRAVEL

				Description	Q.ty	Part number	Comments
FRONT	A	Disc	Left	Ø 295x25,4	1	09.7277.75	Disc assemblies: XA9.Y6.10/20 Bell: XA9.Y6.01
			Right	Ø 295x25,4	1	09.7277.85	
	B	Caliper	Left	P4. 36/40	1	XA9.Y6.53	
			Right	P4. 36/40	1	XA9.Y6.54	
C	Pad	1 pad kit	---	---	---	---	
			Brembo Racing Pad RB-330	1	B18.17.330		
D	Bracket	Left	---	---	---		
		Right	---	---	---		
REAR	E	Disc	Left	Ø 295x25,4	1	09.7277.75	Disc assemblies: XA9.Y6.10/20 Bell: XA9.Y6.01
			Right	Ø 295x25,4	1	09.7277.85	
	F	Caliper	Left	P4. 36/40	1	XA9.Y6.53	
			Right	P4. 36/40	1	XA9.Y6.54	
G	Pad	1 pad kit	---	---	---	---	
			Brembo Racing Pad RB-330	1	B18.17.330		
H	Bracket	Left	---	---	---		
		Right	---	---	---		
M/C	M	Front		---	---	---	
	N	Rear		---	---	---	
	O	Clutch		---	---	---	

## PEUGEOT 207 S2000 EVO TARMAc

				Description	Q.ty	Part number	Comments
FRONT	A	Disc	Left	Ø 355x32	1	09.5683.19	Disc assemblies: XA9.Y6.30/40 Bell: XA9.Y6.05
			Right	Ø 355x32	1	09.5683.29	
	B	Caliper	Left	P4. 36/40	1	XA9.Y6.53	
			Right	P4. 36/40	1	XA9.Y6.54	
C	Pad	1 pad kit	---	---	---	---	
			Brembo Racing Pad RB-350	1	B18.17.350		
D	Bracket	Left	---	---	---		
		Right	---	---	---		
REAR	E	Disc	Left	Ø 295x25,4	1	09.7277.75	Disc assemblies: XA9.Y6.10/20 Bell: XA9.Y6.01
			Right	Ø 295x25,4	1	09.7277.85	
	F	Caliper	Left	P4. 36/40	1	XA9.Y6.53	
			Right	P4. 36/40	1	XA9.Y6.54	
G	Pad	1 pad kit	---	---	---	---	
			Brembo Racing Pad RB-350	1	B26.17.350		
H	Bracket	Left	---	---	---		
		Right	---	---	---		
M/C	M	Front		---	---	---	
	N	Rear		---	---	---	
	O	Clutch		---	---	---	

## PEUGEOT 307 WRC GRAVEL

				Description	Q.ty	Part number	Comments
FRONT	A	Disc	Left	Ø 295x25,4 48 vanes	1	09.7277.12	Alternative: 09.7277.16/26
			Right	Ø 295x25,4 48 vanes	1	09.7277.22	
	B	Caliper	Left	M4. 36/42	1	XA2.E6.G3	Out of production
			Right	M4. 36/42	1	XA2.E6.G4	
C	Pad	1 pad kit	---	---	---		
D	Bracket	Left	---	---	---		
		Right	---	---	---		
REAR	E	Disc	Left	Ø 295x25,4 48 vanes	1	09.7277.12	Alternative: 09.7277.16/26
			Right	Ø 295x25,4 48 vanes	1	09.7277.22	
	F	Caliper	Left	M4. 30/36	1	XA2.E6.H3	Out of production
			Right	M4. 30/36	1	XA2.E6.H4	
G	Pad	1 pad kit	---	---	---		
H	Bracket	Left	---	---	---		
		Right	---	---	---		
M/C	M	Front		---	---	---	
	N	Rear		---	---	---	
	O	Clutch		---	---	---	

## PORSCHE 991 RSR (GTE CATEGORY) SPRINT

				Description	Q.ty	Part number	Comments
FRONT	A	Disc	Left	Ø 380x32 72 vanes	1	09.A464.76	Disc assemblies: XB3.S2.11/12
			Right	Ø 380x32 72 vanes	1	09.A464.86	
	B	Caliper	Left	M6. 28/30/38	1	XA6.H7.01	
			Right	M6. 28/30/38	1	XA6.H7.02	
C	Pad	1 pad kit	---	---	---		
D	Bracket	Left	Brembo Racing Pad RB-340	1	B24.22.340		
		Right	---	---	---		
REAR	E	Disc	Left	Ø 355x32 48 vanes	1	09.5883.11	Disc assemblies: XB3.S2.31/32
			Right	Ø 355x32 48 vanes	1	09.5883.21	
	F	Caliper	Left	M4. 28/36	1	XA8.30.63	
			Right	M4. 28/36	1	XA8.30.64	
G	Pad	1 pad kit	---	---	---		
H	Bracket	Left	Brembo Racing Pad RB-330	1	B13.26.330		
		Right	---	---	---		
M/C	M	Front		---	---	---	
	N	Rear		---	---	---	
	O	Clutch		---	---	---	

## PORSCHE 991 RSR (GTE CATEGORY) ENDURANCE

				Description	Q.ty	Part number	Comments
FRONT	A	Disc	Left	Ø 380x35 72 vanes	1	09.A464.56	Disc assemblies: XB3.S2.13/14
			Right	Ø 380x35 72 vanes	1	09.A464.66	
	B	Caliper	Left	M6.28/30/38	1	XA4.F1.01	
			Right	M6.28/30/38	1	XA4.F1.02	
C	Pad	1 pad kit	---	---	---	---	
			Brembo Racing Pad RB-340	1	B24.29.340		
D	Bracket	Left	---	---	---		
		Right	---	---	---		
REAR	E	Disc	Left	Ø 355x32 72 vanes	1	09.A465.13	Disc assemblies: XB3.S2.41/42
			Right	Ø 355x32 72 vanes	1	09.A465.23	
	F	Caliper	Left	M4. 28/36	1	XB0.L2.63	
			Right	M4. 28/36	1	XB0.L2.64	
G	Pad	1 pad kit	---	---	---	---	
			Brembo Racing Pad RB-330	1	B13.26.330		
H	Bracket	Left	---	---	---		
		Right	---	---	---		
M/C	M	Front		---	---	---	
	N	Rear		---	---	---	
	O	Clutch		---	---	---	

## PORSCHE 996 CUP (CUP CATEGORY)

				Description	Q.ty	Part number	Comments
FRONT	A	Disc	Left	Ø 350x34 72 vanes	1	09.9306.10	Disc assemblies: XA4.F2.11/12 Bell: XA4.F2.10
			Right	Ø 350x34 72 vanes	1	09.9306.20	
	B	Caliper	Left	---	---	---	
			Right	---	---	---	
C	Pad	1 pad kit	---	---	---	---	
			---	---	---		
D	Bracket	Left	---	---	---		
		Right	---	---	---		
REAR	E	Disc	Left	Ø 330x28 72 vanes	1	09.8667.50	Disc assemblies: XA4.F2.21/22 Bell: XA4.F2.20
			Right	Ø 330x28 72 vanes	1	09.8667.60	
	F	Caliper	Left	---	---	---	
			Right	---	---	---	
G	Pad	1 pad kit	---	---	---	---	
			---	---	---		
H	Bracket	Left	---	---	---		
		Right	---	---	---		
M/C	M	Front		---	---	---	
	N	Rear		---	---	---	
	O	Clutch		---	---	---	

## PORSCHE 996 RSR (GTE CATEGORY)

				Description	Q.ty	Part number	Comments	
FRONT	A	Disc	Left	Ø 380x32 72 vanes	1	09.8528.74	Disc assemblies: XA0.74.73/74 Bell: XA0.74.49	
			Right	Ø 380x32 72 vanes	1	09.8528.84		
	B	Caliper	Left	M6. 30/32/40	1	XA3.02.31		Out of production
			Right	M6. 30/32/40	1	XA3.02.32		
C	Pad	1 pad kit	---	---	---	---		
			Brembo Racing Pad RB-170/340	1	B24.29.170/340			
D	Bracket	Left	---	---	---	---		
		Right	---	---	---	---		
REAR	E	Disc	Left	Ø 355x32 72 vanes	1	09.9306.11	Disc assemblies: XA0.74.81/82 Bell: XA0.74.59	
			Right	Ø 355x32 72 vanes	1	09.9306.21		
	F	Caliper	Left	P4. 28/36	1	XA2.E7.13		
			Right	P4. 28/36	1	XA2.E7.14		
G	Pad	1 pad kit	---	---	---	---		
			Brembo Racing Pad RB-170/340	1	B13.26.170/340			
H	Bracket	Left	---	---	---	---		
		Right	---	---	---	---		
M/C	M	Front		---	---	---		
	N	Rear		---	---	---		
	O	Clutch		---	---	---		

## PORSCHE 997 CUP (CUP CATEGORY)

				Description	Q.ty	Part number	Comments	
FRONT	A	Disc	Left	Ø 380x34 72 vanes	1	09.A009.12	Disc assemblies: XA5.R7.11/12 Bell: XA5.R7.10	
			Right	Ø 380x34 72 vanes	1	09.A009.22		
	B	Caliper	Left	---	1	O.E.		
			Right	---	1	O.E.		
C	Pad	1 pad kit	---	---	---	---		
			Brembo Racing Pad RB-340	1	B66.19.340			
D	Bracket	Left	---	---	---	---		
		Right	---	---	---	---		
REAR	E	Disc	Left	Ø 350x28 72 vanes	1	09.9306.12	Disc assemblies: XA5.R7.21/22 Bell: XA5.R7.20	
			Right	Ø 350x28 72 vanes	1	09.9306.22		
	F	Caliper	Left	---	1	O.E.		
			Right	---	1	O.E.		
G	Pad	1 pad kit	---	---	---	---		
			Brembo Racing Pad RB-340	1	B67.19.340			
H	Bracket	Left	---	---	---	---		
		Right	---	---	---	---		
M/C	M	Front		---	---	---		
	N	Rear		---	---	---		
	O	Clutch		---	---	---		

## PORSCHE 997 GT3R CUP (GRAND-AM CATEGORY)

				Description	Q.ty	Part number	Comments
<b>FRONT</b>	A	Disc	Left	Ø 380x32 72 vanes	1	09.8528.74	Disc assemblies: XA6.H7.21/22 Bell: XA6.H7.20
			Right	Ø 380x32 72 vanes	1	09.8528.84	
	B	Caliper	Left	M6. 28/30/38	1	XA6.H7.01	
			Right	M6. 28/30/38	1	XA6.H7.02	
C	Pad	1 pad kit	---	---	---	---	
			Brembo Racing Pad RB-170	1	B24.22.170	---	
D	Bracket	Left	---	---	---	---	
		Right	---	---	---	---	
<b>REAR</b>	E	Disc	Left	Ø 355x32 72 vanes	1	09.9306.11	Disc assemblies: XA6.H7.31/32 Bell: XA6.H7.30
			Right	Ø 355x32 72 vanes	1	09.9306.21	
	F	Caliper	Left	P4. 28/36	1	XA6.H7.13	
			Right	P4. 28/36	1	XA6.H7.14	
G	Pad	1 pad kit	---	---	---	---	
			Brembo Racing Pad RB-170	1	B13.22.170	---	
H	Bracket	Left	---	---	---	---	
		Right	---	---	---	---	
<b>M/C</b>	M	Front	---	---	---	---	
	N	Rear	---	---	---	---	
	O	Clutch	---	---	---	---	

## PORSCHE 997 GT3R (GT3 CATEGORY) SPRINT

				Description	Q.ty	Part number	Comments
<b>FRONT</b>	A	Disc	Left	Ø 380x32 72 vanes	1	09.8528.74	Disc assemblies: XA6.C9.11/12 Bell: XA6.C9.10
			Right	Ø 380x32 72 vanes	1	09.8528.84	
	B	Caliper	Left	M6. 28/30/38	1	XA6.H7.01	
			Right	M6. 28/30/38	1	XA6.H7.02	
C	Pad	1 pad kit	---	---	---	---	
			Brembo Racing Pad RB-170/340	1	B24.22.170/340	---	
D	Bracket	Left	---	---	---	---	
		Right	---	---	---	---	
<b>REAR</b>	E	Disc	Left	Ø 355x32 72 vanes	1	09.A465.11	Disc assemblies: XA6.C9.65/66 Bell: XA6.C9.60
			Right	Ø 355x32 72 vanes	1	09.A465.21	
	F	Caliper	Left	P4. 28/36	1	XA6.H7.13	
			Right	P4. 28/36	1	XA6.H7.14	
G	Pad	1 pad kit	---	---	---	---	
			Brembo Racing Pad RB-170/340	1	B13.22.170/340	---	
H	Bracket	Left	---	---	---	---	
		Right	---	---	---	---	
<b>M/C</b>	M	Front	---	---	---	---	
	N	Rear	---	---	---	---	
	O	Clutch	---	---	---	---	

## PORSCHE 997 GT3R (GT3 CATEGORY) ENDURANCE

				Description	Q.ty	Part number	Comments
FRONT	A	Disc	Left	Ø 380x35 72 vanes	1	09.8528.78	Disc assemblies: XA6.C9.13/14 Bell: XA6.C9.10
			Right	Ø 380x35 72 vanes	1	09.8528.88	
	B	Caliper	Left	M6. 28/30/38	1	XB0.64.01	
			Right	M6. 28/30/38	1	XB0.64.02	
C	Pad	1 pad kit	---	---	---	---	
			Brembo Racing Pad RB-170/340	1	B24.29.170/340		
D	Bracket	Left	---	---	---		
		Right	---	---	---		
REAR	E	Disc	Left	Ø 355x32 72 vanes	1	09.A465.11	Disc assemblies: XA6.C9.65/66 Bell: XA6.C9.60
			Right	Ø 355x32 72 vanes	1	09.A465.21	
	F	Caliper	Left	P4. 28/36	1	XA8.30.13	
			Right	P4. 28/36	1	XA8.30.14	
G	Pad	1 pad kit	---	---	---	---	
			Brembo Racing Pad RB-170/340	1	B13.22.170/340		
H	Bracket	Left	---	---	---		
		Right	---	---	---		
M/C	M	Front		---	---	---	
	N	Rear		---	---	---	
	O	Clutch		---	---	---	

## PORSCHE 997 RSR (GTE CATEGORY) SPRINT

				Description	Q.ty	Part number	Comments
FRONT	A	Disc	Left	Ø 380x32 72 vanes	1	09.8528.74	Disc assemblies: XA6.C9.11/12 Bell: XA6.C9.10
			Right	Ø 380x32 72 vanes	1	09.8528.84	
	B	Caliper	Left	M6. 28/30/38	1	XA6.H7.01	
			Right	M6. 28/30/38	1	XA6.H7.02	
C	Pad	1 pad kit	---	---	---	---	
			Brembo Racing Pad RB-170/340	1	B24.22.170/340		
D	Bracket	Left	---	---	---		
		Right	---	---	---		
REAR	E	Disc	Left	Ø 355x32 72 vanes	1	09.A465.11	Disc assemblies: XA6.C9.65/66 Bell: XA6.C9.60
			Right	Ø 355x32 72 vanes	1	09.A465.21	
	F	Caliper	Left	P4. 28/36	1	XA8.30.13	
			Right	P4. 28/36	1	XA8.30.14	
G	Pad	1 pad kit	---	---	---	---	
			Brembo Racing Pad RB-170/340	1	B13.26.170/340		
H	Bracket	Left	---	---	---		
		Right	---	---	---		
M/C	M	Front		---	---	---	
	N	Rear		---	---	---	
	O	Clutch		---	---	---	

## PORSCHE 997 RSR (GTE CATEGORY) ENDURANCE

				Description	Q.ty	Part number	Comments	
<b>FRONT</b>	A	Disc	Left	Ø 380x35 72 vanes	1	09.8528.78	Disc assemblies: XA6.C9.13/14 Bell: XA6.C9.10	
			Right	Ø 380x35 72 vanes	1	09.8528.88		
	B	Caliper	Left	M6. 28/30/38	1	XA4.F1.01		Alternative: XB0.64.01/02
			Right	M6. 28/30/38	1	XA4.F1.02		
C	Pad	1 pad kit	---	---	---	---		
			Brembo Racing Pad RB-170/340	1	B24.29.170/340			
D	Bracket	Left	---	---	---	---		
		Right	---	---	---	---		
<b>REAR</b>	E	Disc	Left	Ø 355x32 72 vanes	1	09.A465.11	Disc assemblies: XA6.C9.65/66 Bell: XA6.C9.60	
			Right	Ø 355x32 72 vanes	1	09.A465.21		
	F	Caliper	Left	P4. 28/36	1	XA8.30.13		
			Right	P4. 28/36	1	XA8.30.14		
G	Pad	1 pad kit	---	---	---	---		
			Brembo Racing Pad RB-170/340	1	B13.26.170/340			
H	Bracket	Left	---	---	---	---		
		Right	---	---	---	---		
<b>M/C</b>	M	Front		---	---	---		
	N	Rear		---	---	---		
	O	Clutch		---	---	---		

## SKODA FABIA S2000 GRAVEL

				Description	Q.ty	Part number	Comments	
<b>FRONT</b>	A	Disc	Left	Ø 300x28 60 vanes	1	09.9021.10		
			Right	Ø 300x28 60 vanes	1	09.9021.20		
	B	Caliper	Left	M4. 38/44 forged	1	XA5.T0.03		
			Right	M4. 38/44 forged	1	XA5.T0.04		
C	Pad	1 pad kit	---	---	---	---		
			Brembo Racing Pad RB-330	1	B18.17.330			
D	Bracket	Left	---	---	---	---		
		Right	---	---	---	---		
<b>REAR</b>	E	Disc	Left	Ø 300x28 60 vanes	1	09.9021.10		
			Right	Ø 300x28 60 vanes	1	09.9021.20		
	F	Caliper	Left	M4. 36/40 forged	1	XA5.T0.03		
			Right	M4. 36/40 forged	1	XA5.T0.04		
G	Pad	1 pad kit	---	---	---	---		
			Brembo Racing Pad RB-330	1	B18.17.330			
H	Bracket	Left	---	---	---	---		
		Right	---	---	---	---		
<b>M/C</b>	M	Front		---	---	---		
	N	Rear		---	---	---		
	O	Clutch		---	---	---		

## SKODA FABIA S2000 TARMAC

				Description	Q.ty	Part number	Comments
FRONT	A	Disc	Left	Ø 355x32 72 vanes	1	09.9306.30	
			Right	Ø 355x32 72 vanes	1	09.9306.40	
	B	Caliper	Left	M4. 38/44 forged	1	XA5.T0.03	
			Right	M4. 38/44 forged	1	XA5.T0.04	
C	Pad	1 pad kit	---	---	---	---	
			Brembo Racing Pad RB-350	1	B18.17.350		
D	Bracket	Left	---	---	---	---	
		Right	---	---	---	---	
REAR	E	Disc	Left	Ø 300x28 60 vanes	1	09.9021.10	
			Right	Ø 300x28 60 vanes	1	09.9021.20	
	F	Caliper	Left	M4. 38/44 forged	1	XA5.T0.03	
			Right	M4. 38/44 forged	1	XA5.T0.04	
G	Pad	1 pad kit	---	---	---	---	
			Brembo Racing Pad RB-350	1	B18.17.350		
H	Bracket	Left	---	---	---	---	
		Right	---	---	---	---	
M/C	M	Front		---	---	---	
	N	Rear		---	---	---	
	O	Clutch		---	---	---	

## SKODA FABIA S2000 EVO GRAVEL

				Description	Q.ty	Part number	Comments
FRONT	A	Disc	Left	Ø 300x28	1	09.8647.70	Disc assemblies: XA9.X4.10/20 Bell: XA9.X4.01
			Right	Ø 300x28	1	09.8647.80	
	B	Caliper	Left	P4. 36/40	1	XA9.Y6.53	
			Right	P4. 36/40	1	XA9.Y6.54	
C	Pad	1 pad kit	---	---	---	---	
			Brembo Racing Pad RB-330	1	B18.17.330		
D	Bracket	Left	---	---	---	---	
		Right	---	---	---	---	
REAR	E	Disc	Left	Ø 300x28	1	09.8647.70	Disc assemblies: XA9.X4.10/20 Bell: XA9.X4.01
			Right	Ø 300x28	1	09.8647.80	
	F	Caliper	Left	P4. 36/40	1	XA9.Y6.53	
			Right	P4. 36/40	1	XA9.Y6.54	
G	Pad	1 pad kit	---	---	---	---	
			Brembo Racing Pad RB-330	1	B18.17.330		
H	Bracket	Left	---	---	---	---	
		Right	---	---	---	---	
M/C	M	Front		---	---	---	
	N	Rear		---	---	---	
	O	Clutch		---	---	---	



## SKODA FABIA S2000 EVO TARMAC

				Description	Q.ty	Part number	Comments
FRONT	A	Disc	Left	Ø 355x32	1	09.5683.19	Disc assemblies: XA9.X4.30/40 Bell: XA9.X4.05
			Right	Ø 355x32	1	09.5683.29	
	B	Caliper	Left	P4. 36/40	1	XA9.Y6.53	
			Right	P4. 36/40	1	XA9.Y6.54	
C	Pad	1 pad kit	---	---	---	---	
			Brembo Racing Pad RB-350	1	B18.17.350	---	
D	Bracket	Left	Air duct	1+1	20.8056.22/23	---	
		Right	---	---	---	---	
REAR	E	Disc	Left	Ø 300x28	1	09.8647.70	Disc assemblies: XA9.X4.10/20 Bell: XA9.X4.01
			Right	Ø 300X28	1	09.8646.80	
	F	Caliper	Left	P4. 36/40	1	XA9.Y6.53	
			Right	P4. 36/40	1	XA9.Y6.54	
G	Pad	1 pad kit	---	---	---	---	
			Brembo Racing Pad RB-350	1	B18.17.350	---	
H	Bracket	Left	---	---	---	---	
		Right	---	---	---	---	
M/C	M	Front		---	---	---	
	N	Rear		---	---	---	
	O	Clutch		---	---	---	

## SRT VIPER GTS-R (GTE)

				Description	Q.ty	Part number	Comments
FRONT	A	Disc	Left	Ø 380x32 72 vanes	1	09.8528.74	
			Right	Ø 380x32 72 vanes	1	09.8528.84	
	B	Caliper	Left	M6. 28/30/38	1	XA8.31.31	
			Right	M6. 28/30/38	1	XA8.31.32	
C	Pad	1 pad kit	---	---	---	---	
			Brembo Racing Pad RB-340	1	BRP34-1980.29B	---	
D	Bracket	Left	---	---	---	---	
		Right	---	---	---	---	
REAR	E	Disc	Left	Ø 328x28 48 vanes	1	09.9226.10	
			Right	Ø 328x28 48 Vanes	1	09.9226.20	
	F	Caliper	Left	M4. 28/36	1	XB0.L2.53	
			Right	M4. 28/36	1	XB0.L2.54	
G	Pad	1 pad kit	---	---	---	---	
			Brembo Racing Pad RB-340	1	BRP34-1697.25B	---	
H	Bracket	Left	---	---	---	---	
		Right	---	---	---	---	
M/C	M	Front		---	---	---	
	N	Rear		---	---	---	
	O	Clutch		---	---	---	

### SRT VIPER (GT3)

				Description	Q.ty	Part number	Comments
FRONT	A	Disc	Left	Ø 380x32 72 vanes	1	09.8528.74	
			Right	Ø 380x32 72 vanes	1	09.8528.84	
	B	Caliper	Left	M6. 28/30/38	1	XB0.64.01	
			Right	M6. 28/30/38	1	XB0.64.02	
C	Pad	1 pad kit	---	---	---	---	
			Brembo Racing Pad RB-340	1	BRP34-1980.29B		
D	Bracket	Left	---	---	---	---	
		Right	---	---	---	---	
REAR	E	Disc	Left	Ø 328x28 48 vanes	1	09.9226.10	
			Right	Ø 328x28 48 vanes	1	09.9226.20	
	F	Caliper	Left	M4. 28/36	1	XB0.L2.53	
			Right	M4. 28/36	1	XB0.L2.54	
G	Pad	1 pad kit	---	---	---	---	
			Brembo Racing Pad RB-340	1	BRP34-1697.25B		
H	Bracket	Left	---	---	---	---	
		Right	---	---	---	---	
M/C	M	Front		---	---	---	
	N	Rear		---	---	---	
	O	Clutch		---	---	---	

### SUZUKI IGNIS/SWIFT S1600 GRAVEL

				Description	Q.ty	Part number	Comments
FRONT	A	Disc	Left	Ø 355x28 48 vanes	1	09.5759.17	
			Right	Ø 355x28 48 vanes	1	09.5759.27	
	B	Caliper	Left	M4. 36/42	1	XA0.80.43	Out of production. Alternative: XA5.T0.03/04
			Right	M4. 36/42	1	XA0.80.44	
C	Pad	1 pad kit	---	---	---	---	
			Brembo Racing Pad RB-170	1	B13.16.170		
D	Bracket	Left	---	---	---	---	
		Right	---	---	---	---	
REAR	E	Disc	Left	Ø 278x6,5	1	X95.50.60	
			Right	Ø 278x6,5	1	X95.50.60	
	F	Caliper	Left	P2. 38	1	X97.24.01	Out of production. Alternative: XA8.U2.01
			Right	P2. 38	1	X97.24.01	
G	Pad	1 pad kit	Ferodo DS2000	4	07.1715.50		
			---	---	---		
H	Bracket	Left	---	---	---	---	
		Right	---	---	---	---	
M/C	M	Front		---	---	---	
	N	Rear		---	---	---	
	O	Clutch		---	---	---	

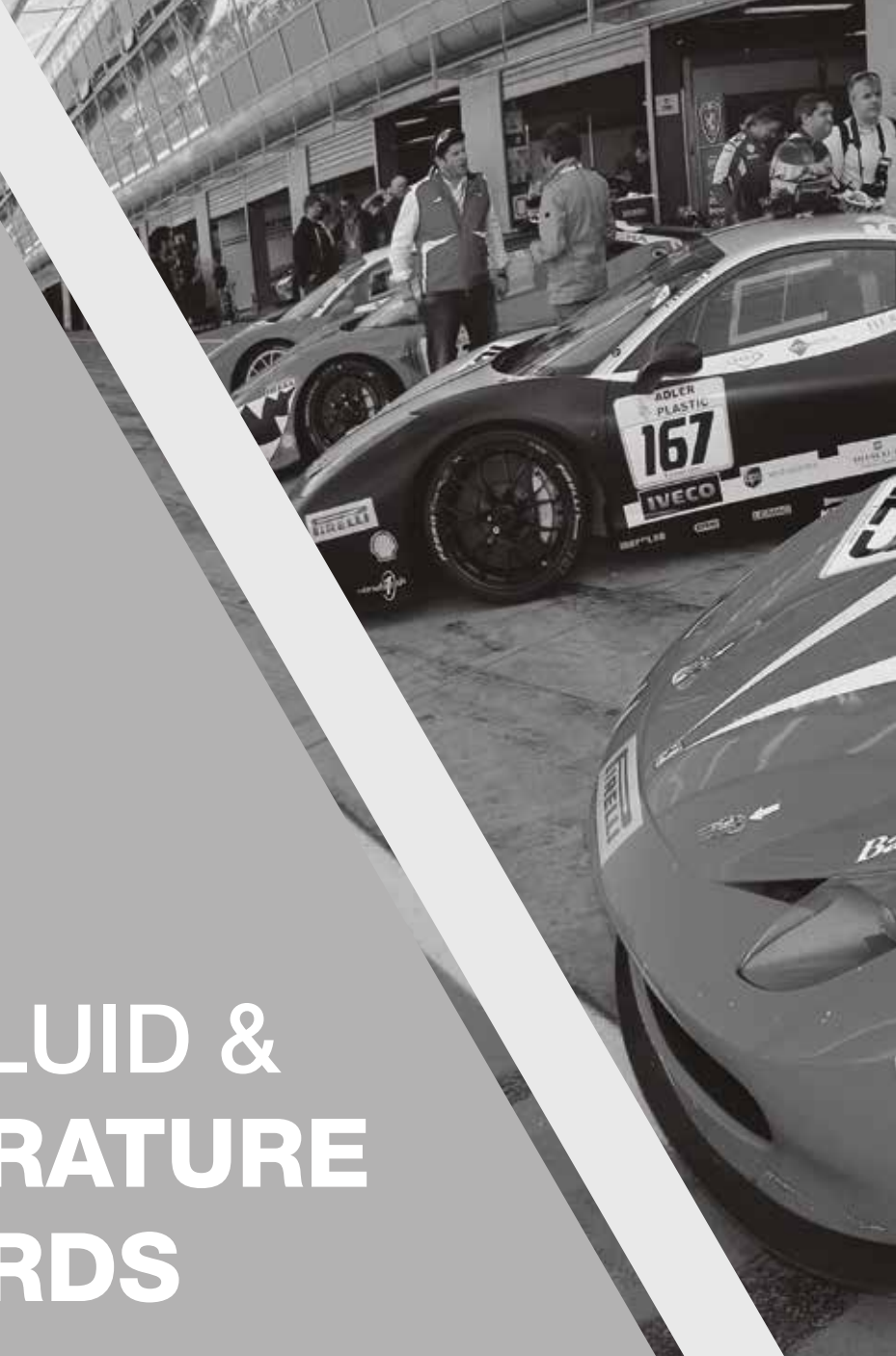
## SUZUKI IGNIS/SWIFT S1600 TARMAC

				Description	Q.ty	Part number	Comments
FRONT	A	Disc	Left	Ø 355x28 48 vanes	1	09.5759.17	
			Right	Ø 355x28 48 vanes	1	09.5759.27	
	B	Caliper	Left	M4. 36/42	1	XA0.80.43	Out of production. Alternative: XA5.T0.03/04
			Right	M4. 36/42	1	XA0.80.44	
C	Pad	1 pad kit	---	---	---	---	
			Brembo Racing Pad RB-170	1	B13.16.170		
D	Bracket	Left	---	---	---		
		Right	---	---	---		
REAR	E	Disc	Left	Ø 278x6,5	1	X95.50.60	
			Right	Ø 278x6,5	1	X95.50.60	
	F	Caliper	Left	P2. 38	1	X97.24.01	Out of production. Alternative: XA8.U2.01
			Right	P2. 38	1	X97.24.01	
G	Pad	1 pad kit	Ferodo DS2000	4	07.1715.50		
			---	---	---		
H	Bracket	Left	---	---	---		
		Right	---	---	---		
M/C	M	Front		---	---	---	
	N	Rear		---	---	---	
	O	Clutch		---	---	---	



# 6

## BRAKE FLUID & TEMPERATURE RECORDS





# BRAKE FLUID



**P/N 04.8164.11**  
**LCF 600 PLUS BRAKE FLUID - 500cc**

**Exclusively for racing use**

Brembo Racing LCF 600 plus has been specifically formulated to provide the highest performance under all racing conditions:

- an independently proven low compressibility at high temperatures
- a typical dry boiling point of 601°F (316°C)
- a typical wet boiling point of 399°F (204°C)

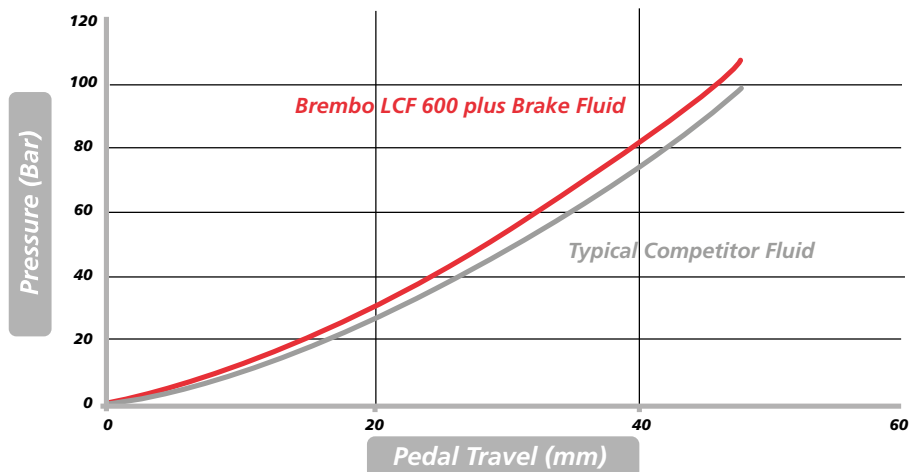
It even exceeds the requirements of U.S. FMVSS 116 DOT4 specification.

**COMPATIBILITY**

Compatible with all Brembo Racing Brake Systems. It can be mixed with other DOT3 and DOT4 racing brake fluids but for maximum performance advantage, before filling, other types of fluid should be drained from the brake system to avoid diluting the fluid characteristic.

Brembo LCF 600 plus must not be used in fluid Brake Systems containing magnesium parts.

## LCF 600 plus Racing Brake Fluid



**P/N 04.8164.20**  
**HTC 64T BRAKE FLUID - 500cc**

**Exclusively for racing use**

Brembo Racing HTC 64T plus has been specifically formulated to provide the highest performance under all racing conditions:

- an independently proven low compressibility at high temperatures
- a typical dry boiling point of 635°F (335°C)

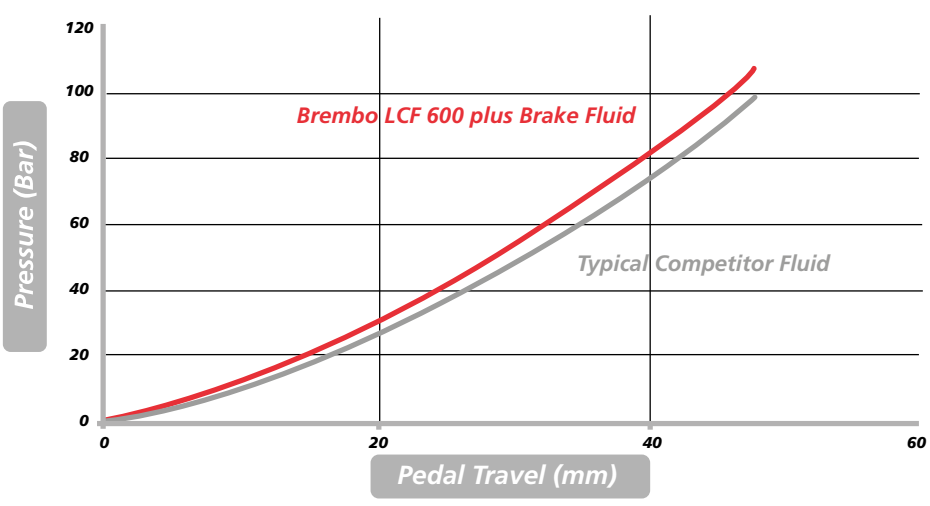
**COMPATIBILITY**

Compatible with all Brembo Racing Brake Systems. It can be mixed with other DOT3 and DOT4 racing brake fluids but for maximum performance advantage, before filling, other types of fluid should be drained from the brake system to avoid diluting the fluid characteristic.

Brembo HTC 64T plus must not be used in fluid Brake Systems containing magnesium parts.



**LCF 600 plus Racing Brake Fluid**





# TEMPERATURE RECORDS



## P/N 02.5168.10/12 CALIPER THERMO TAPES

P/N	Temperature Range
02.5168.10	From 132°C/270°F to 210°C/410°F
02.5168.11	From 88°C/190°F to 127°C/260°F
02.5168.12	From 132°C/270°F to 171°C/340°F

## P/N 02.5168.20/23/25 SMALLER CALIPER THERMO TAPES

P/N	Temperature Range
02.5168.20	From 132°C to 210°C
02.5168.23	From 210°C to 260°C
02.5168.25	From 350°C to 450°C

## P/N 02.5223.10 TEMPERATURE RECORD NOTPAD





7

**SPARE PARTS**



P/N	Description	Pistons	Piston insert	Insert clips
20454803/04/05/06	4 PISTON GT CALIPER	20570177/79		
20454813/14/15/16	4 PISTON GT CALIPER	20570172/76		
20795810/20/30/40	8 PISTON CART FRONT/REAR CALIPER	20795421/24	20769351/54	05791211/14
20827110/20/30/40	4 PISTON GT CALIPER	20590962/66	20590742/46	05209130/34
X202971/72/73/74	4 PISTON TOURING REAR CALIPER	X202996/97		
X906021/22/23/24	4 PISTON GT CALIPER	20546161/91	20546225/28	05209135/38
X906051/52/53/54	4 PISTON GT CALIPER	20546151/71	20546214/16	05209134/36
X906071/72/73/74	4 PISTON GT CALIPER	20546161/91	20546215/18	05209135/38
X906091/92/93/94	4 PISTON GT CALIPER	20546151/71	20546224/26	05209134/36
X934121/22/23/24	8 PISTON CALIPER	20590921/24	20546250/53	05209129/32
X961433/34	4 PISTON CALIPER	20590910/12	20546260/62	
X972401	2 PISTON CALIPER	X972404		
X972410	2 PISTON CALIPER	X972404		
X972421	2 PISTON CALIPER	X972424		
X972431	2 PISTON CALIPER	X972434		
X972451	2 PISTON CALIPER	X972424		
X972461	2 PISTON CALIPER	X972434		
X976041/42/43/44	4 PISTON RALLY CALIPER	20590936/20865060	20546266/69	05209134/38
X976081/82/83/84	4 PISTON RALLY CALIPER	20590923/36	20546263/66	
X983801/02/03/04	4 PISTON F3 CALIPER	20570187/89		
X98A841/42/43/44	4 PISTON CALIPER	20590923/36	20546263/66	05209131/34
X98D213/14	4 PISTON CALIPER	20546152/20546172	20546266/20546268	05209134/05209136
X98D261/62	4 PISTON CALIPER	20546162/20546192	20769327/20769329	05209135/05209138
X99D001/02/03/04	8 PISTON RALLY (LIGHT) CALIPER	X99D040/41	20769351/54	
X99D011/12/13/14	8 PISTON RALLY (LIGHT) CALIPER	X99D040/41	20769351/54	05791211/14
X99E801/02/03/04	6 PISTON TRANS AM CALIPER	20546130/40/80	20546264/65/70	05209132/33/37
XA08041/42/43/44	4 PISTON CALIPER	20454040/90		
XA08053/54	4 PISTON CALIPER	20454040/90		
XA13711/12/13/14	4 PISTON CALIPER	20570136/39		
XA1D141/42/43/44	4 PISTON CALIPER	20546162/92	20546225/28	05209135/38
XA23011/12/13/14	4 PISTON LATE MODEL REAR	20570165/67		
XA2E501/02/03/04	4 PISTON NASCAR REAR	20865011/13	20769351/53	05791211/13
XA2E511/12/13/14	4 PISTON NASCAR REAR	20865013/15	20769353/55	05791213/15
XA2E513/14	4 PISTON NASCAR REAR	20865013/15	20769353/55	05791213/15
XA2E611/12/13/14	4 PISTON CALIPER	20795446/49	20769366/69	05791216/19
XA2E631/32/33/34	4 PISTON CALIPER	20795443/46	20769363/66	05791213/16
XA2E641/42/43/44	4 PISTON CALIPER (STEEL RADIATORS)	20795446/49	20856456/59	05209134/37
XA2E651/52/53/54	4 PISTON CALIPER	20795446/49	20856456/59	05209134/37
XA2E6A3/A4	4 PISTON CALIPER	20795446/49	20769366/69	05791216/19
XA2E703/04	4 PISTON CALIPER	20A12977/79		
XA2E713/14	4 PISTON CALIPER	20A12972/76		

blanks = components not available.

Seal kits	Pad abutment	Pad abutment screw	Rigid pipe	Bleed screw
105595557/59	20383262/72	A11234137	06431787	05281213
105595552/56	20383262/72	A11234137	06431787	05281213
105595551/54	20726829	05582917	06431743	05281221
105595552/56	20451781	05582916		05281213
105595550/52	20451762/63		X901111/12	05281213
105595557/60	X906049/50	05582916	06431716	05281213
105595556/58	20451795/96	05582916	06431716	05281213
105595557/60	20451795/96	05582916	06431716	05281213
105595556/58	X906049/50	05582916	06431716	05281213
105595551/54	20451785/86		X934129	05281213
105595550/52	20451762/63	05582917	X202929/30	05281213
105595557				05281213
105595557				05281213
105595559				05281213
105595560				05281213
105595559				05281213
105595560				05281213
105595556/60	X947510/20			05281221
105595553/56	X947510/20			05281221
105595556/58	X947510/20		X983809/12	05281213
105595553/56	X947510/20	A12041100		05281221
105595556/105595558	20451762/20451763	05442461	X900519	05281213
105595557/105595560	20451730	05582970	06431719	05281213
105595551/54	X99D009/10		X99D030	05281213
105595551/54	X99D009/10		X99D030	05281213
105595554/55/59	20451748/49	05582916	X99E811	05281213
105595556/59	20451730	05582916		05281221
105595556/59	20451730	A11234101		05281221
105595556/59	X204610/11		06431799	05281213
105595557/59	20451780	05582916	X202808	05281213
105595551/53	X947510/20		X983809/12	05281213
105595551/53	20451762/63	05582917	06431739	05281213
105595553/55	20451762/63	05582917	06431739	05281213
105595553/55	20451762/63	05582917	06431739	05281213
105595556/59	20451729	05582916		05281221
105595553/56	20451729	05582916		05281221
105595556/59	20451729	05582916		05281221
105595556/59	20451729	05582916		05281221
105595556/59	20451729	A11234101		05281221
105722445/47	20451781		XA2E720	05281213
105722440/44	20451781		XA2E720	05281213

blanks = components not available.

P/N	Description	Pistons	Piston insert	Insert clips
XA30211/12	6 PISTON CALIPER	20590973/74/78	X977025 + 20590763/68	05209131/32/36
XA30221/22	6 PISTON CALIPER	20590973/74/78	20546263/64/68	05209131/32/36
XA30231/32	6 PISTON CALIPER	20590973/74/78	20546263/64/68	05209131/32/36
XA30241/42	6 PISTON CALIPER	20590973/74/78	X977025 + 20590763/68	05209131/32/36
XA34091/92/93/94	6 PISTON CALIPER	X989556/57/59	XA34030/31/32	
XA340A1/A2/A3/A4	6 PISTON CALIPER	X989556/57/59	XA34030/31/32	05791213/14/18
XA3A401/02/03/04	4 PISTON NASCAR RESTYLING REAR	20590913/15	20546263/65	05209131/33
XA3A441/42/43/44	4 PISTON NASCAR RESTYLING REAR	20590911/13	20546261/63	05209129/31
XA3A481/82/83/84	4 PISTON NASCAR RESTYLING REAR (SPACERS)	20590910/12	20546260/62	
XA3B751/52/53/54	6 PISTON CALIPER	20590973/74/78	20590723/24/28	05209131/32/36
XA3G211/12	4 PISTON CALIPER	20590911/13	20856451/53	05209129/31
XA41001/02/03/04	4 PISTON F3 CALIPER	20570186/88		
XA43901/02/03/04	4 PISTON CALIPER	20546162/92	20546225/28	05209135/38
XA46751/52/53/54	4 PISTON CALIPER	20865016/19	20856436/39	05209134/37
XA4C611/12/13/14	4 PISTON CALIPER	20590946/49	20769367/70	05791217/20
XA4D301/02/03/04	4 PISTON CALIPER	20546161/91	20546225/28	05209135/38
XA4F101/02	6 PISTON CALIPER	20590972/73/77	20590762/63/67	05209130/31/35
XA4F111/12	6 PISTON CALIPER	20590972/73/77	20590762/67 + XA4F110	05209130/31/35
XA4F121/22	6 PISTON CALIPER	20590972/73/77	20590762/63/67	05209130/31/35
XA4F131/32	6 PISTON CALIPER	20590972/73/77	20590762/67 + XA4F110	05209130/31/35
XA50901/02/03/04	4 PISTON CALIPER	20546162/92	20590747/49	05209135/38
XA59001/02/03/04	4 PISTON CALIPER	20865037/40	20769367/70	05791217/20
XA5C201/02	6 PISTON CALIPER	20795442/43/47	20546262/67 + XA5C108	05209130/31/35
XA5D601/02/03/04	8 PISTON CALIPER	X99D040/41	20769351/54	05791211/21
XA5E501/02/03/04	6 PISTON CALIPER	20795442/43/46	20820423/24/27	05209130/31/34
XA5M401/02/03/04	6 PISTON CALIPER	20705052/54/56		
XA5T003/04	4 PISTON CALIPER	20865057/60	20852727/30	05209135/38
XA5T101/02/03/04	6 PISTON CALIPER w.c.	X989556/57/59	XA34030/31/32	05791213/14/18
XA66101/02/03/04	6 PISTON CALIPER	20865082/83/87	20856463/64/68	05209130/31/35
XA66121/22/23/24	6 PISTON FORGED CALIPER	20865082/83/87	20856463/64/68	05209130/31/35
XA69403/04	4 PISTON CALIPER	20590946/49	20769367/70	05791217/20
XA6H701/02	6 PISTON CALIPER	20795442/43/47	20856474/75/79	05209130/31/35
XA6H713/14	4 PISTON CALIPER	20590972/76	20856463/67	05209130/34
XA6J103/04	4 PISTON CALIPER	20795437/49		
XA6J123/24	4 PISTON CALIPER	20546151/71		
XA6L403/04	6 PISTON CALIPER	20865003/04/08	20546283/84/88	05791214/15/19
XA6L611/12	2 PISTON CALIPER	20A12969		
XA6S001/02/03/04	4 PISTON F3 CALIPER	20570113/16		
XA6S021/22/23/24	4 PISTON F3 CALIPER	20570113/16		
XA7G011/12	4 PISTON FORGED CALIPER	20590911/13	20856451/53	05209129/31
XA7G113/14	4 PISTON FORGED CALIPER	20590913/15	20856453/55	05209131/33

blanks = components not available.

Seal kits	Pad abutment	Pad abutment screw	Rigid pipe	Bleed screw
105722441/42/46	20726831/32	05582916		05281213
105722441/42/46	20726831/32	05582916		05281213
105722441/42/46	20726831/32	05582916		05281213
105722441/42/46	20726831/32	05582916		05281213
105595553/54/58	20726852			05281221
105595553/54/58	20726852/53	05582917		05281221
105595553/55	20451762/63	05582917	06431709	05281213
105595551/53	20451762/63	05582917	06431709	05281213
105595550/52	20451762/63	05582917	06431708	05281213
105595553/54/58	20726855/56/57	A11244099		05281213
105595551/53	20451762/63		X202929/30	05281213
105722443/45	X947510/20		XA41009/10	05281213
105595557/60	20451780	05582916	X202808	05281213
105595556/59	20451762/63		06431798	05281213
105595557/60	20726858/74/75	A11241064		05281213
105595517/20	20451795/96		X934509	05281213
105722440/41/45	20726831/32	05582917		05281213
105722440/41/45	20726831/32	05582917		05281213
105722440/41/45	20726831/32	05582916		05281213
105722440/41/45	20726831/32	05582916		05281213
105595557/60	20451780			05281213
105595557/60	20726878/79			05281213
105722440/41/45	20726926	05582916		05281213
105595551/54	X99D009/10			05281213
105595552/53/56	20726865/66/67		06431797	05281213
05769141/43/45			06879214	05281213
105595557/60	20451745			05281213
105595553/54/58	20726852/53	05582917		05281221
105722440/41/45	XA66113	05582916	XA66110/11	05281213
105722440/41/45	20726863/64		XA66111	05281213
105722445/48	20726884/85			05281213
105722440/41/45	20726926	05582916		05281213
105722440/44	20451781	05582916	XA2E720	05281213
05769146/48	20451750		06451879	05281213
105595516/18	20451767			05281228
105722442/43/47	20726858/81			05281213
105595516	20451767			05281228
105722441/44	20726836		XA6S007/08	05281213
105722441/44	20726836		XA6S007/08	05281213
105595551/53	20726891	05582917		05281228
105595553/55	20726891			05281228

blanks = components not available.



P/N	Description	Pistons	Piston insert	Insert clips
XA83013/14	4 PISTON FORGED CALIPER	20795411/15	20852722/26	05209130/34
XA83051/52/53/54	4 PISTON FORGED CALIPER	20795415/17	20852722/26	05209134/36
XA83101/02	NEW 6 PISTON GT CALIPER	20590972/73/77	XA4F110 + 20590762/67	05209130/31/35
XA83111/12	NEW 6 PISTON GT CALIPER	20590972/73/77	20546262/63/67	05209130/31/35
XA83121/22	NEW 6 PISTON GT CALIPER	20590972/73/77	XA4F110 + 20590762/67	05209130/31/35
XA83131/32	NEW 6 PISTON GT CALIPER	20590972/73/77	20546262/63/67	05209130/31/35
XA8E001/02	6PISTON CALIPER	X989556/57/59	XA34030/31/32	05791213/14/18
XA8J101/02	NEW 6 PISTON CARBON CALIPER	20795422/23/27	XA8E808 + 20769363/67	05791212/13/17
XA8J111/12/13/14	NEW 6 PISTON CARBON CALIPER + VALVE	20795422/23/27	XA8E808 + 20769363/67	05791212/13/17
XA8U201	2 PISTON FORGED CALIPER	20865017	20856457	05209135
XA8U211	2 PISTON FORGED CALIPER	20865018	20856458	05209136
XA8U221	2 PISTON FORGED CALIPER	20865019	20856459	05209137
XA8U241	2 PISTON FORGED CALIPER	20865017		
XA8Z401/02/03/04	6 PISTON CALIPER	X989556/57/59	20800722/23/27	05209131/32/36
XA9E301/02	4 PISTON CALIPER	20865054/57	20546253/56	05209132/35
XA9Y653/54	4 PISTON CALIPER	20865056/58	20590726/28	05209134/36
XB06401/02	6 PISTON CALIPER	20590972/73/77	20856452/53/57	05209130/31/35
XB07703/04	4 PISTON CALIPER	20865017/20	XA37709/10	05209135/38
XB0L213/14	4 PISTON FORGED CALIPER	20795411/15	20852722/26	05209130/34
XB0L253/54	4 PISTON CALIPER	20795411/15	20852722/26	05209130/34
XB10511/12	4 PISTON CALIPER	20795416/18	20B68537/39	05209135/37
XB1E701/02/03/04	4 PISTON CALIPER	20795428/30	20B68538/40	05209136/38
XB1E711/12/13/14	4 PISTON CALIPER	20795428/30	20B68538/40	05209136/38
XB1E721/22/23/24	4 PISTON CALIPER	20795426/28	20B68536/38	05209134/36
XB1E731/32/33/34	4 PISTON CALIPER	20795426/28	20B68536/38	05209134/36
XB22211/12	6 PISTON CALIPER	20590909/74/75	20856444/45/49	05209132/33/37
XB2H711/12	4 PISTON CALIPER	20865056/58	20B68556/58	05209134/36
XB2V001/02	6 PISTON CALIPER	20590972/73/77	20820423/24/28	05209130/31/35
XB35801/02	4 PISTON CALIPER	20865054/57	20546253/56	05209132/35



Seal kits	Pad abutment	Pad abutment screw	Rigid pipe	Bleed screw
105722440/44	20726886		XA83010	05281213
105722444/46	20726886		XA83010	05281213
105722440/41/45	20451705/37			05281213
105722440/41/45	20451705/37			052812 13
105722440/41/45	20451705			05281213
105722440/41/45	20451705			05281213
105595553/54/58	20726852/53	05582917		05281221
105722440/41/45	20726893/97			05281213
105722440/41/45	20726893/97			X990352
105595557				05281213
105595558				05281213
105595559				05281213
105595557				05281213
105595553/54/58	20726852	A11244100		05281221
105722442/45	20451706/24			05281221
105595556/58	20451706/24			05281213
105722440/41/45	20726831/32	05582917		05281228
105595557/60	20451762/63	A12041100		05281213
105722440/44	20726886	A12041100		05281228
105722440/44	20726886	05582917	XA83010	05281213
105722445/47	20726888/89	05582917	06431759	05281213
105722446/48	20B33108	05582916	06451827	05281213
105722446/48	20B33108	05582916	06451827	05281213
105722444/46	20B33108	05582916	06451827	05281213
105722444/46	20B33108	05582916	06451827	05281213
105595554/55/59	20451758/59	05582917	06451851	05281213
105595556/58	20726967	05442461		05281221
105722440/41/45	20451700	XA5K050		05281213
105722442/45	20451706/24	05582917		05281221