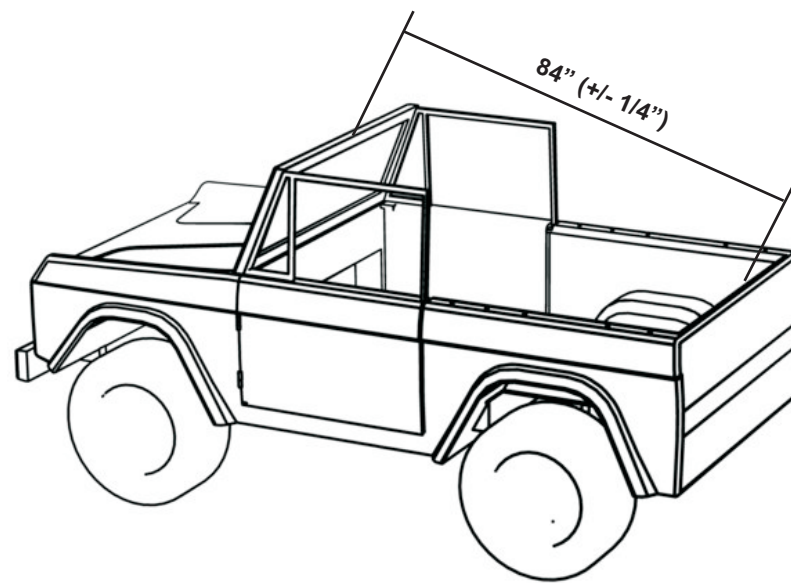




INSTALLATION INSTRUCTIONS
BRONCO ZIPPER FASTRACK TOP
PART #984xx
BRONCO 1966-1977

TOOLS REQUIRED

3/8" WRENCH	7/16" WRENCH
1/2" WRENCH	#2 PHILLIPS SCREWDRIVER
1/8" DRILL BIT	9/64" DRILL BIT
5/32" DRILL BIT	3/8" DRILL BIT
ELECTRIC DRILL	8 TAPE MEASURE



Thank you for purchasing Rampage Products Convertible Top for your Bronco. Please read and follow, precisely, all installation instructions provided when installing top. Failure to do so may result in a poor fitting top and could place occupants in a potentially hazardous situation.

INSTALLATION TIPS

Before you begin installing this top, here a few tips to make installation easier.

Windshield Adjustment. If your windshield frame is improperly adjusted, the top will not fit or function properly. Measure from the inside edge of windshield frame to the inside edge of tailgate as shown in figure 1. For a proper fit this measurement should be 83 3/4" to 84". If it measures slightly more than 84" the tension from the top may pull it into position. If it measures less than 83 3/4" you will need to loosen the hand bolts on both sides of windshield frame and place shims under windshield frame and retighten bolts.

This top should be installed where the temperature is above 72 degrees Fahrenheit. Below this temperature, the top may contract making it difficult to install. It is normal for a top ton contract and wrinkle when stored in the shipping carton. The top will relax and wrinkles will disappear within a few days of installation as fabric adjusts to shape of mounting hardware.

INSTALLATION PROCEDURES

On page 7 of this instruction manual there is an assembly drawing. Please refer to it for identification of parts and assembly assistance. Also refer to page 6 to assure that all parts are included in your kit.

BOW INSTALLATION

Step 1.

Body Aluminum. Mount body aluminum (B1) to the top edge of the body with notch to inside of vehicle and rivet at the rear of vehicle. Locate body aluminum 1 1/8" from the inside edge of body and 2 1/8" from the drop in door opening. Body aluminum should be parallel to vehicle body front to rear. Place 5/16-18 hex bolts (H1) through 5/16" flat washers (H3) original hard to mounting holes. Secure with 5/16-18 flat nuts (H2). Drill 5/32" hole in top of body using rear hole in body aluminum as a template. Install #14 x 1/2" sheet metal screw (H6) to secure rear of body aluminum to vehicle.

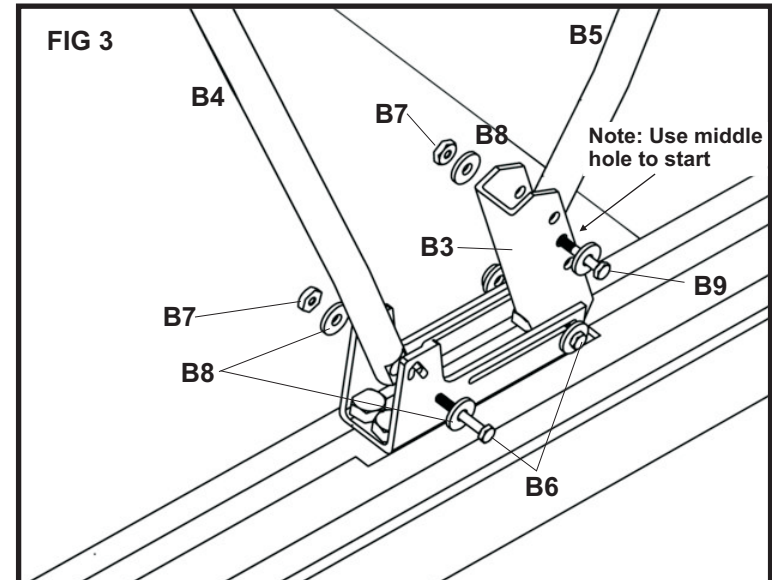
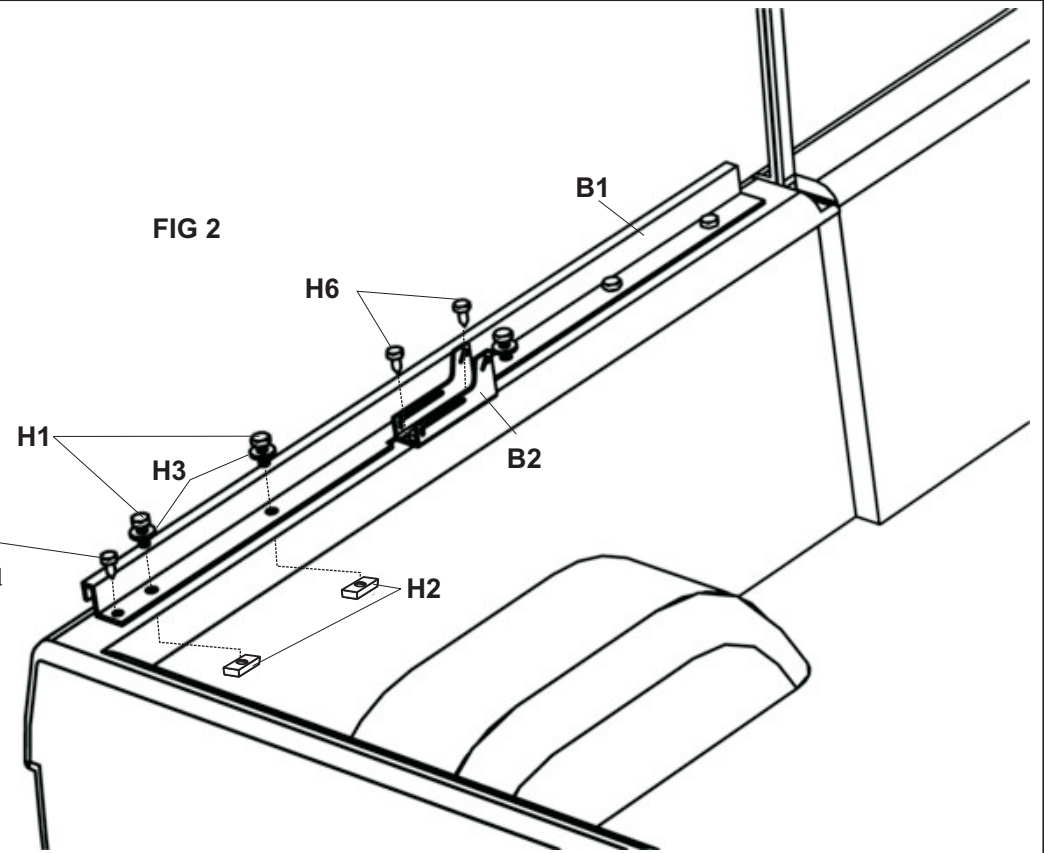
See Figure 2

Step 2.

Bow Mount. Fit bow mount (B2) into the forward corner of notch in body aluminum. Using bow mount as a template, mark and drill two 5/32" holes, one at the front H6 inside of bracket and one at the rear inside of bracket. Secure with #14 x 1/2" hex head sheet metal screws (H6) Repeat for the other side. See figure 2

Step 3

Bows. Secure bow release bracket (B3) to bow mount by placing 1/4-20 x 1 3/4" hex head bolt (B6) through 1/4" flat washer (B8), then through one side of bow mount, the bow release bracket, the other side of bow mount and another 1/4" flat washer. Secure with 1/4-20 lock nut (B7). These items must pivot so do not over tighten. Repeat for other side. Place rear bow sleeves (B10) over rear bows (B4, B5), see the illustration on page 7 for placement. Slide rear bow halves together. Mount rear bow into center set of holes in bow release bracket (B3) by placing 1/4-20 x 1 1/2" hex head bolt (B9) through one side of release bracket, rear bow and then through the other side of release bracket. Secure with 1/4-20 lock nut (B7). Again these items must pivot so do not over tighten. Repeat for other side. Slide front bow sleeves (B10) over front bow halves (B4). Place front bow into front slot in bow mount so that the large holes in bow are facing towards the front of vehicle. Secure front bow to bow mount with 1/4-20 x 1 3/4" hex head bolt (B6) through 1/4" flat washer (B8) one side of bow mount, front bow, the other side of bow mount, and another 1/4" flat washer. Secure with 1/4-20 lock nut. Again these items must pivot so do not over tighten, Repeat for other side. See Figure 3



HEADER CHANNEL AND DOOR FRAME INSTALLATION

Step 1

Position riser (W1), on top of windshield frame, centering it from side to side. Place 5/16-18x 3/4" hex bolts (H1) through 5/16" flat washer (H3). Secure with 5/16-18 flat nut (H2). On both ends of the riser you will need to mount horizontal rod brackets (W2) as shown in figure 4. These brackets sit on top of riser and are attached with the same bolts that secure the riser to the windshield frame. See FIG 5

Step 2

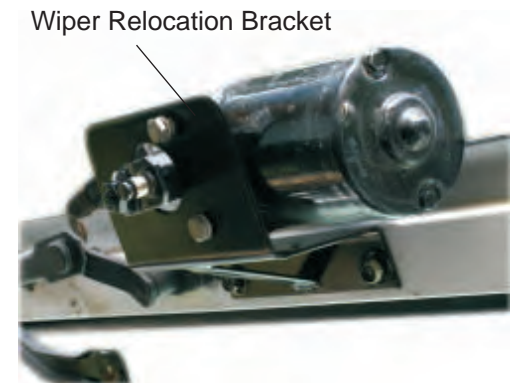
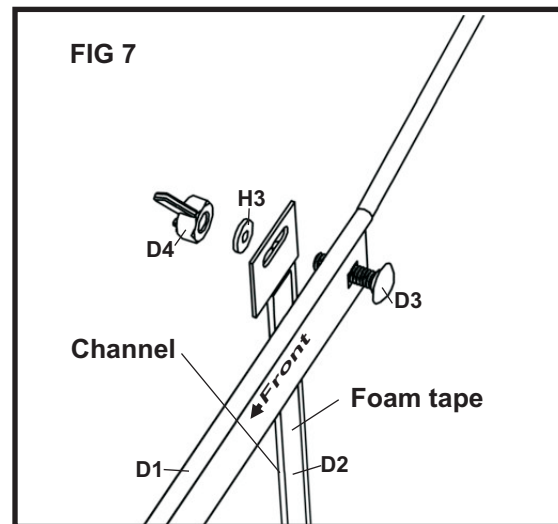
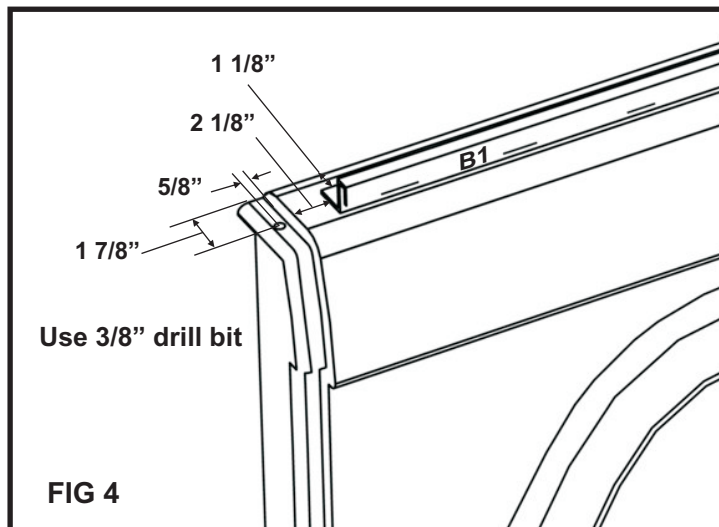
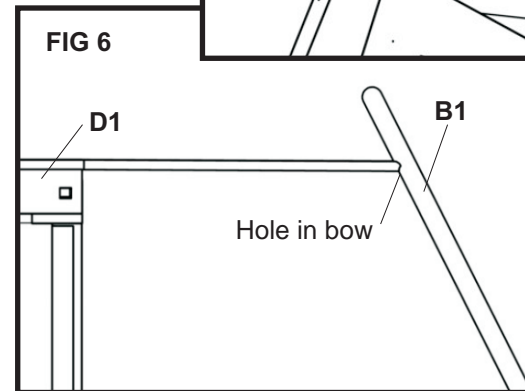
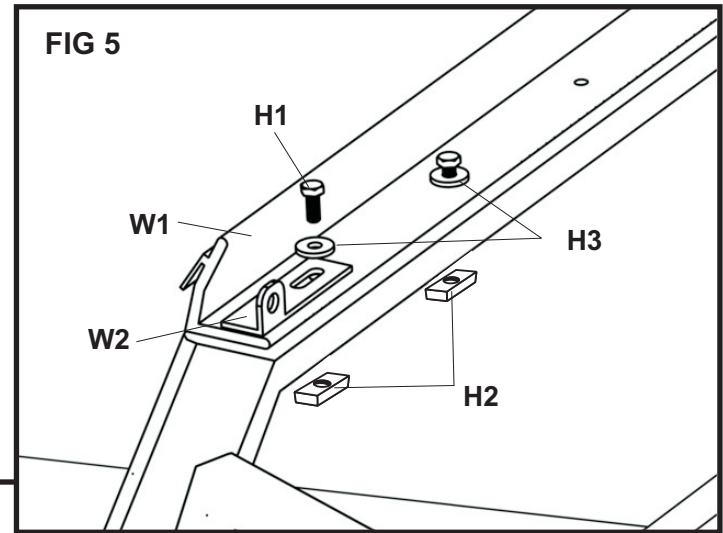
Using a 3/8" bit, drill mounting hole for door frame upright (D2) in body on top just behind the door opening using dimensions in FIG 4. NOTE: It is necessary to either cut a portion of the rubber gasket or push it aside for use with the hard top later.

Step 3

Insert door frame top (D1) into W2 on the windshield and into the hole in the front bow as shown in FIG 6. Be sure the channel is facing down on D1 and the rubber seal is facing out on D2. Insert the upright door frame (D2) into the hole drilled into the body (FIG 4). Install 5/16" x 3/4" carriage bolt through square hole in horizontal rod and slotted hole in vertical rod. Place 5/16" flat washer on next and secure with 5/16" wing nut as shown in FIG 7. Repeat for other side.

Step 4.

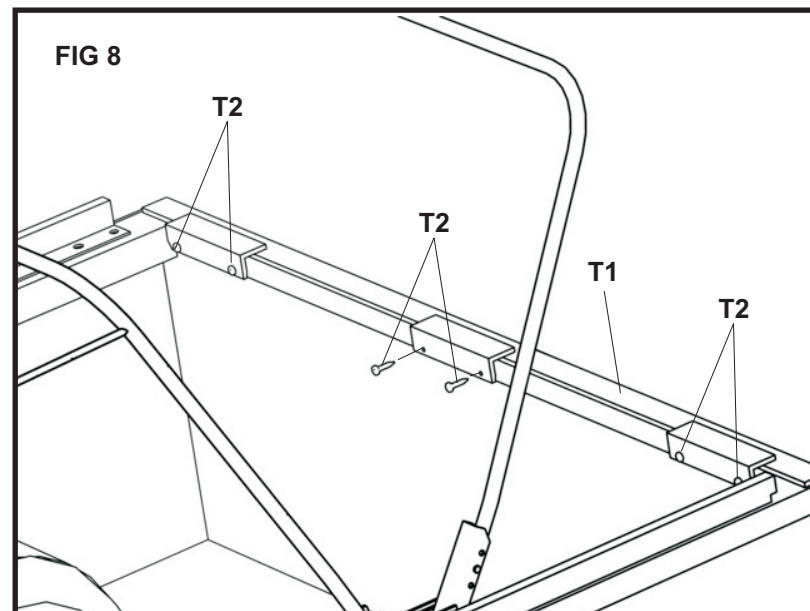
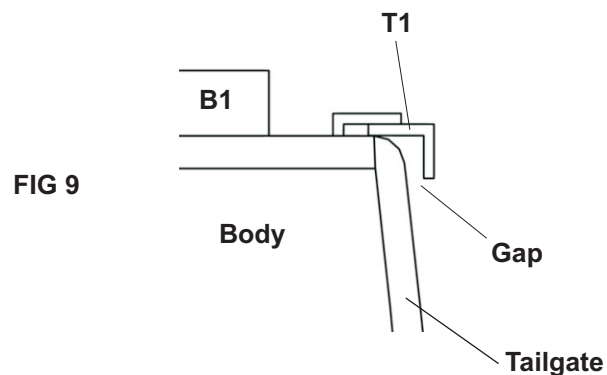
Windshield Wiper Motor Bracket. On certain models a windshield wiper motor bracket (W4) will need to be installed to lower the windshield wiper motor and keep it from protruding into the top. Remove wiper arm from motor. Remove motor from original bracket and bracket from windshield frame. Install windshield wiper motor bracket provided in the kit into original holes. Turn motor over and install into wiper motor bracket using original fasteners. Re-attach wiper arm making sure that wipers are in the correct positions.



Tailgate Channel

Step 1

Measure 3 1/2" from edge of tailgate and 1/2" down from top of tailgate on inside on both ends. Mark for location of end holes of tailgate channel (T1) Drill 1/8" holes on these marks. Mount tailgate channel to tailgate using these two holes and #10 x 1/2" sheet metal screws (T2). Using tailgate channel as a template, mark and drill the rest of the 1/8" holes. Secure tailgate channel to tailgate with #10 x 1/2" sheet metal screws (T2) See Figure 8.



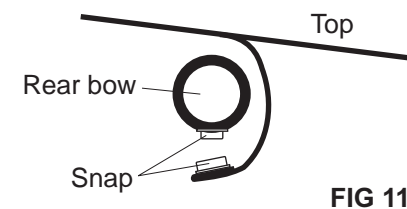
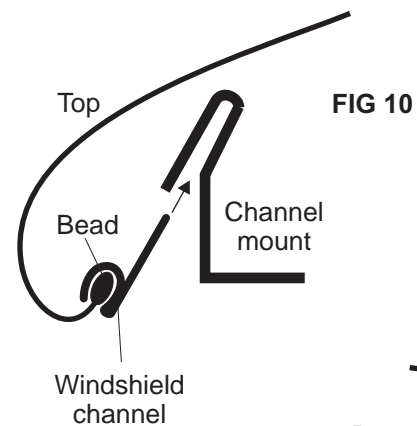
Fabric Installation

Step 1

Channel Installation. Place top on hood of vehicle, vinyl side down. Slide sewn in rope into channel (W3) See figure 10. Slip channel into windshield channel mount (fig 10) Flip top up and over front bow. Snap rear bow flap to rear bow. See Figure 11.

Step 2

Top Installation. Pull to the rear and down on rear bottom corners of top until 4" pieces for plastic are fully engaged on rear of belt rail in front of rivet. Place loop at rear of side panel onto hook at rear section of vinyl top. Starting at the door opening zip side panel to top. Repeat for the other side. Clip K-locks to body aluminum (Fig 12). Place sewn in plastic at front of side panel into channel in vertical rod. Place sewn in plastic at door opening of vinyl top into channel of horizontal rod. Starting at lower drivers side of tailgate opening zip in rear curtain. Center rear curtain from side to side. Place sewn in plastic at bottom of rear curtain into tailgate channel. Unzip each side of rear curtain. Reach into vehicle and pull rear bows into locked position. Close zipper at each side of rear curtain. Tuck rear corner flap of top into tailgate channel on each side.



Step 3

Windshield Snap Studs. Pull down on tab at front side of top. Mark and drill for best position of snap stud. Mark and drill 9/64" hole. Install 3/8" sheet metal screw stud (W3). Repeat for other side. See illustration FIG 13.

Removing Side Panels and Rear Curtain. It is possible to remove your side panels and rear curtain to provide more ventilation in your vehicle. Prior to removing and storing the side or rear curtains, you must first make sure that windows are clean. If not properly cleaned, dirt will scratch them reducing top life. To clean windows, wash them with a mild detergent soap and water. You may want to fold them with a soft cloth between them to prevent marring of the window glass. To remove the side panels, unzip the zippers, unlock rear bow, un-fasten side panels remove the sewed in plastic from vertical rod, fold side panels in half and store in the bag provided. Lock rear bow to remove rear curtain, unzip zipper, remove rear curtain, roll curtain, when clean, and store in bag provided. To roll up rear curtain, when clean remove bottom of rear curtain from tailgate channel, unzip zipper on both sides, roll curtain and secure with retaining straps on top. You may want to roll rear curtain with soft cloth to prevent marring of window by straps.

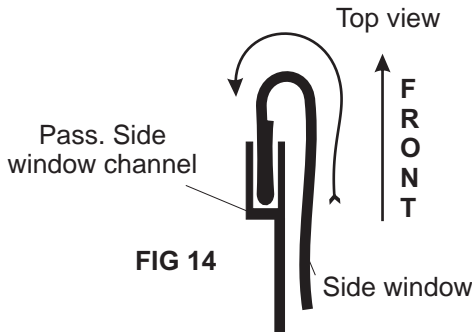


FIG 14

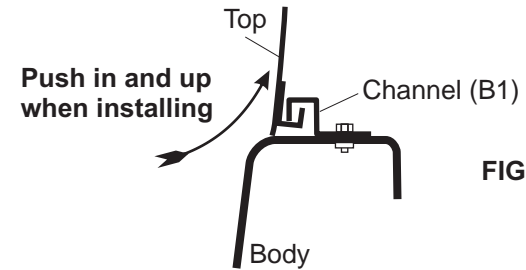


FIG 12

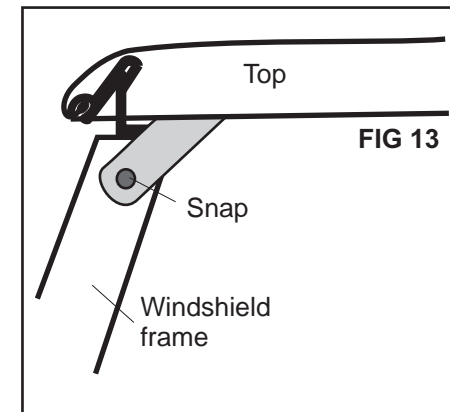


FIG 13

Folding Instructions:

Step 1

Unlock rear bow and unfasten K-locks. Remove side panels and rear curtain.

Step 2

Remove horizontal and vertical rods.

Step 3

Slip channel out of windshield riser. Fold front of top to the rear over bows.

Step 4

As you pull the front of top and bows to the rear of vehicle, let the top sag in between bows.

Step 5

Continue to lay bows down and let them come to rest on top of tailgate. Hook bow tie down strap under the flange on the belt rail, bring snap end of strap under bows to inside of the vehicle, wrap over the top of bows, and snap the snap on end of the strap. Repeat for other side.

H1  (21x) 5/16-18 x 3/4"

B9  (4x) 1/4-20 x 1 1/2"

B6  (4x) 1/4-20 x 1 1/4"

H6  (8x) #14 x 1/2"


B7  (8x) 1/4-20

H2  (19x) 5/16-18

T2  (6x) #10 x 1/2"
philips

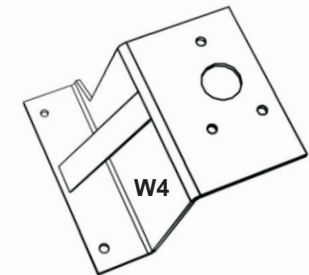
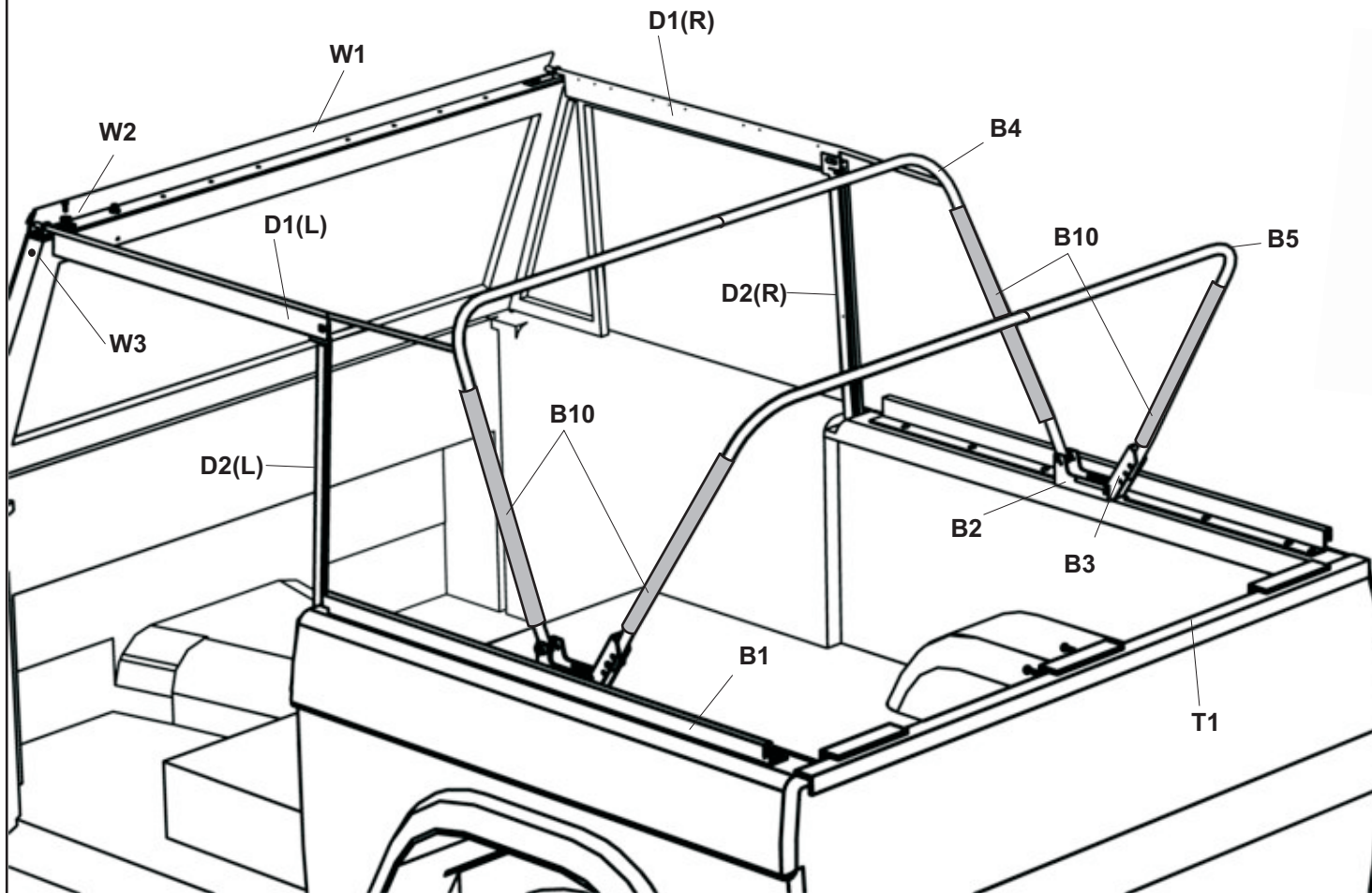
D3  (2x) 5/16-18 x 3/4"
Carriage bolt

B8  (16x) 1/4

H3  (31x) 5/16

W3  (2x) Snap

D3  (2x) 5/16-18
Wing nut



Windshield relocation bracket (x1)



(PART MIRRORED FOR OTHER SIDE)