



86606 Swing-Away Rear Bumper

07+ Jeep JK 2 and 4 door vehicles

Parts list

Bumper components.		6mm x 25 blk cap head	1	3/8" washer	4
Rear Bumper	1	3/4" D rings	2	3/8"-16 nuts	1
12mm x 30 bolts	6	Frame reinforcement plate	1	1 1/4"-7 bolt (blk)	1
10mm x 30 bolts	2	Shaft Circlip	1	1 1/4"-7 nuts	3
10mm washers	2			1/2"-20 nuts (for lugs)	3
12mm x 120 bolts	2	Swing away components.		1/2"-20 Lugs	3
12mm lock washer	9	Swing away assy.	1	6mm x 25 socket head bolt	3
12mm x 110 bolt	1	3/8"-24 x 1 1/4" bolt	2	Heim joint assy	1
12mm nuts	5	3/8"-24 Nylock nut	2	Plastic washer	1
Rubber Pad	1	3/8"-16 x 2" bolt	2	Rubber bump stops	2

PROCEDURE:

1. REMOVE CONTENTS FROM BOX. VERIFY ALL PARTS ARE PRESENT. READ INSTRUCTIONS CAREFULLY.

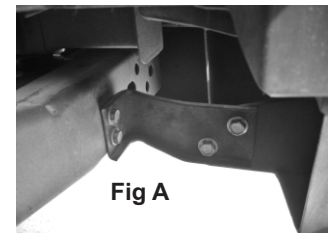
2. Remove rear factory bumper cover:

- a) Loosen two bolts on the "S" brackets located on the steel bumper cross member.
- b) Remove two bolts on "S" bracket that hold the Bumper cover, remove "S" brackets.
- c) Remove four bolts and nuts on the brackets that extend from the outside bumper return near the outer rear qtr panel. Remove the passenger side bracket completely.
- d) Remove two long center bolts above hitch attachment area.

3. RRB bumper Lighting; Rampage lamp kits part numbers:

NOTE: If you plan to install lighting do this now before installing on vehicle.

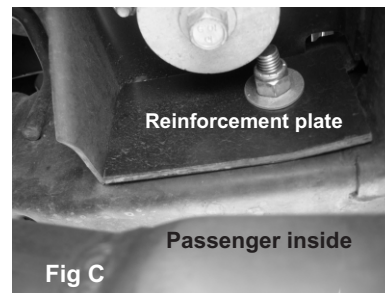
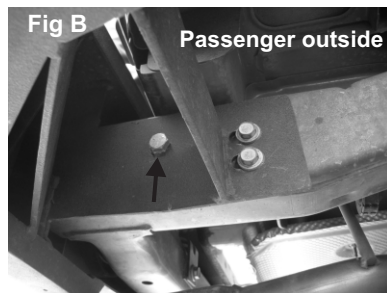
- a) 5083059 Fog Lamp Kit 5083060 Driving Lamp Kit
- b) Use the wire harness kit provided with the lights.



4. Install new RRB rear bumper:

- a) Have two other people help you hold the rear bumper up in place.
- b) Attach the driver side outer factory bracket to the RRB bumper with the 12mm bolts nuts and washers. Leave loose to allow adjustment. Fig. A
- c) Attach the Passenger side bracket to the factory locations with the factory hardware. Leave loose to allow adjustment.

Reinforcement plate detail



- d) Install the inner re-inforcement plate to the inside of the passenger side frame using the 12mm x 110mm bolt/nut/washer.
- e) Install the two center bolts through the frame using the 12mm x120mm hex head bolts and washers
- f) Align the two "S" brackets to the pre threaded holes in the frame member and the bumper. Fig D
- g) Adjust position on vehicle and tighten all bolts and nuts to 45 ft lbs of torque.



5. Install swing away tire carrier:

- a) Remove spare tire and factory spare tire carrier from tailgate.
- b) Install plastic washer on post of the main bumper assembly already installed on vehicle, then slide swing away onto post. Fig E
- c) Install 3/8"-24 x 1 1/4" bolts/lock nuts /washers onto tire carrier as shown below.

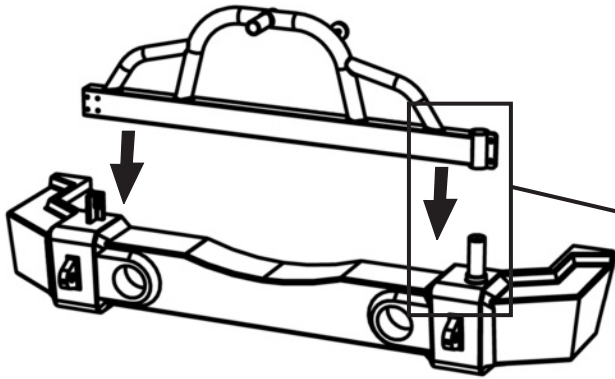
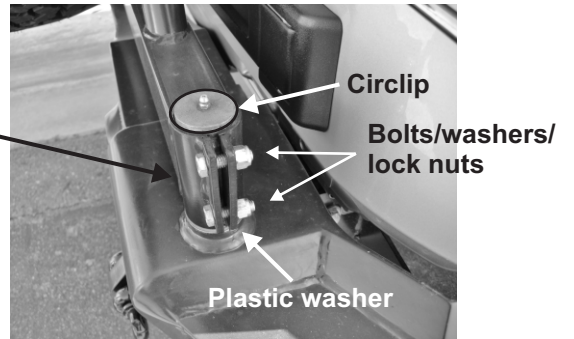


Fig E



NOTE: Use grease fitting on the top of post to lubricate the swing away.

NOTE: Do not over tighten bolts as this will restrict movement of the swing away.

NOTE: The tension of these bolts can be used to adjust the height at the far side of the carrier. Use this adjustment to level the swing away to the main bumper.

6. Install the hiem joint assembly:

- a) First install the Tailgate reinforcement plate "A" and hiem mount "B" to the tailgate with the factory fasteners. Use the extra fasteners to fill the unused holes. Leave the bolt for the hiem mount loose for now. Fig F
- b) Install the spare tire mounting plate using the large bolt and nuts in the order shown below. Fig G. Be sure the 1/2"-20 bolts are installed in the plate. Lug nuts are included to mount the spare.
- c) Use the longer 3/8"-16 bolts to mount the hiem joint assembly onto the tailgate mount and the swing away. Fig H. Open the tailgate/swing away to the 45 deg. position as shown in Fig I.

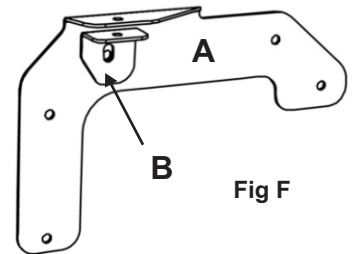
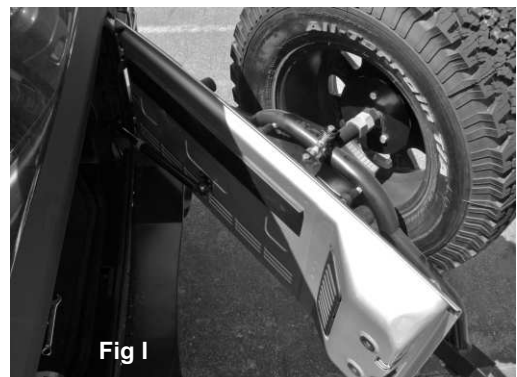
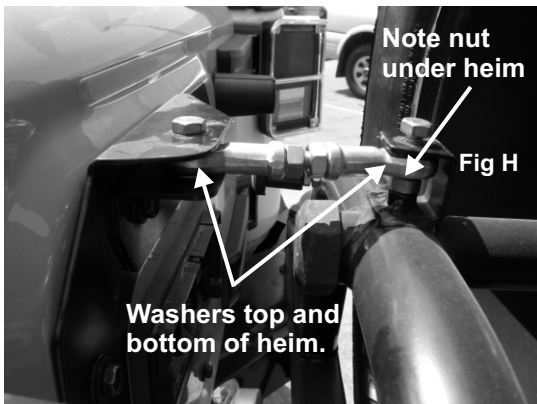
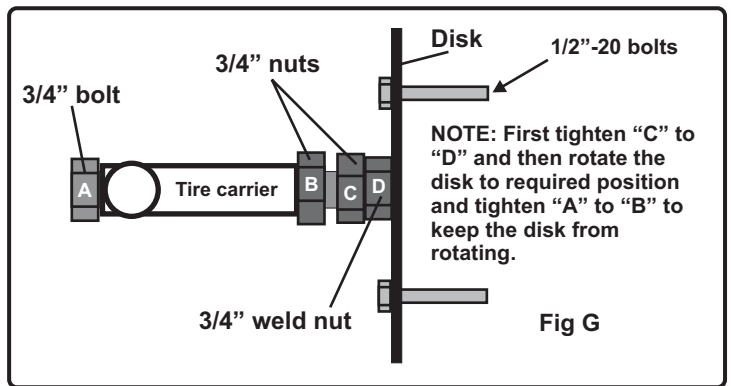


Fig F

Note: Install washers above and below the hiem joints on both sides of the mounts to allow the hiem movement.

Note: The bolt that attaches the hiem to the swing away also acts as a lock for the 1 1/4" bolt on the tire carrier. It should be tightened down tight enough to lock off the bolt. The nut installed on the bolt below the hiem could be used to tighten the hiem up to the mounting bracket.



7. Swing away adjustment

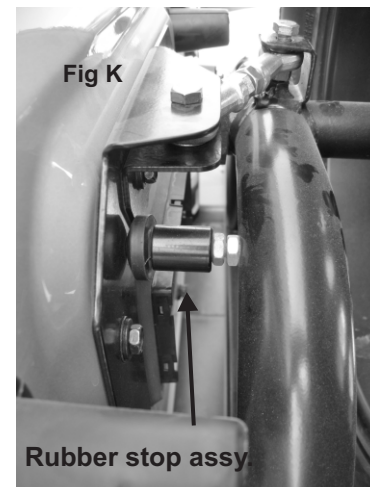
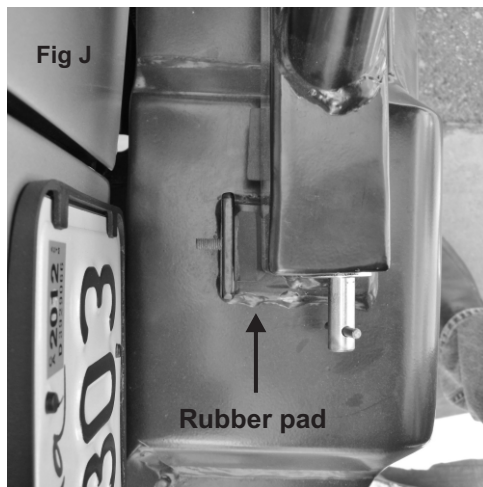
Please review:

The heim assembly is the primary adjuster for the function of the swing away. The rubber bump stops allow additional fine tuning for function and to adjust out any rattles. The heim assembly ties the swing away to the door so that when the door handle opens the tailgate, the swing away will open with only one hand. The heim assembly is not *required*, and the swing away can be installed without it, or the reinforcement plate. Without these components it will work like a traditional swing away.

a) The heim should be adjusted so the swing away is parallel to the rear bumper and just in contact with the rubber pad on the stop mounted to the top of the bumper (Fig J). Adjust the overall length by tightening or loosening the ends of the heim assembly. Use the secondary jam nuts to tighten off the ends of the heims. **NOTE: be sure there is sufficient thread engagement from the threaded rod inside each end of the heims.**

b) Now install the rubber stops into the swing away assembly with the jam nuts as shown in fig K. Adjust the rubber pads so that there is some force applied to the swing away when the tailgate is shut, but so it is not excessive. Some load is required to eliminate rattles.

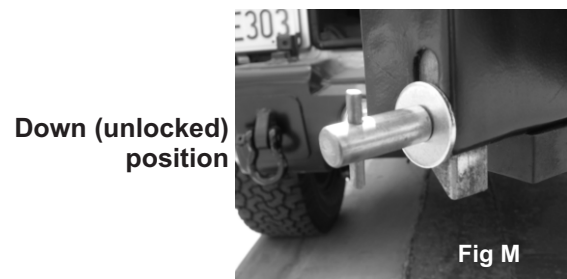
c) Once properly adjusted on both sides, tighten the jam nuts against the swing away on the one side and the metal tube on the other to lock the bump stop.



8. Secondary latch use.

NOTE: The secondary latch mechanism is provided for additional safety when traveling off road in extreme terrain. It is intended as a back up for the main heim assy or if the heim is not used.

a) The latch itself is spring loaded and the “T” handle is intended to lock it in either the up (unlocked) or down (locked) position. In normal on-road use it can be tightened in the up position to allow ease of use for the tailgate. **It must be tightened in one of the two positions or the “T” handle may come loose and fall off.**



Warranty Information

Rampage products, Inc. warrants to the original purchaser of any step product it manufactures, that the product will be free of defects in material or workmanship for a period of 1 year from date of purchase. Such obligations under this warranty shall be limited to the repair or replacement, at Rampage products discretion, of any assembly or parts which, upon examination by Rampage products, Inc. proves to be defective. All defective items must be returned with proof of purchase to Rampage products, Inc., freight prepaid. This warranty does not cover damage resulting from abuse, misuse, alteration, accident or damage in transit. Rampage products obligations under this warranty are limited to the aforementioned repair or replacement of warranty defects for which the return authorization has been received during the warranty period, and Rampage products, Inc. shall not be liable for any incidental or consequential damages arising from breach of this or any implied warranty.