



UCH-101-BL &  
RWA-202-BL

# Universal Cup-iT™ Cup Holder Mount

## IMPORTANT NOTE

PLEASE READ INSTRUCTIONS COMPLETELY BEFORE INSTALLING THIS MOUNT KIT

## A MOUNTING AND REMOVAL

# A

Insert the mount into your cup holder. Turn the adjustment knob counter clockwise to expand the bottom of the mount securing it to your cup holder. Do not overtighten.

360° Rotating Head

Fully Bendable Neck

Expansion Knob

Turn to  
tighten in  
cup holder

Turn to  
loosen out  
of cup holder

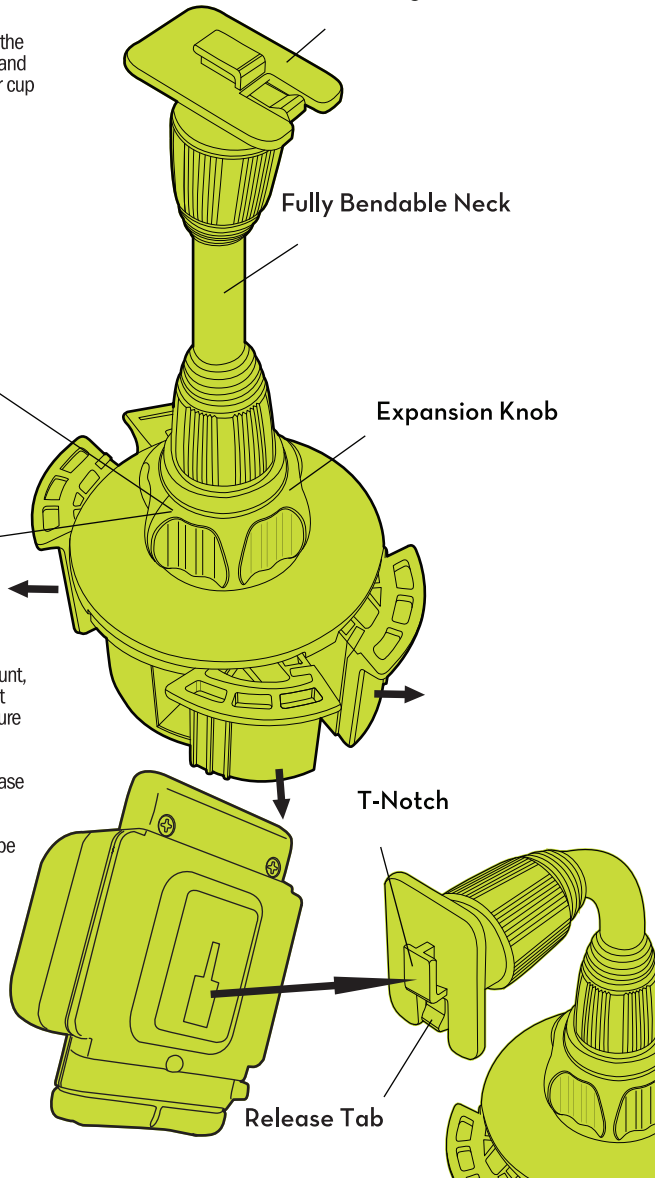
To mount the Grip-iT to the Cup Holder Mount, slide the T-notch connector on to the Grip-it mounting plate. Press down to lock & secure in place.

To remove the Grip-iT, pull back on the release tab and pull the mount from the post.

Rotate Grip-iT 360° for portrait or landscape viewing angles.

T-Notch

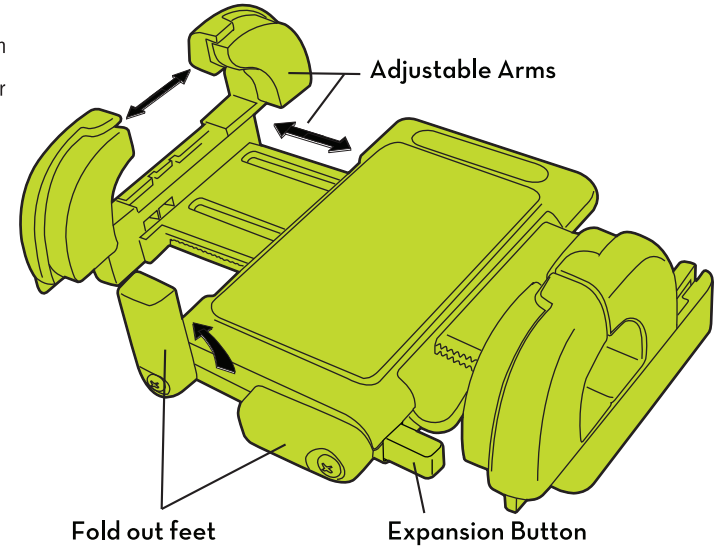
Release Tab



# B

## GRIP-IT ADJUSTMENT

Press the Expansion Button to open the Grip-iT arms. Insert your device and squeeze the arm back together to secure your device.



# C

## OVERVIEW

