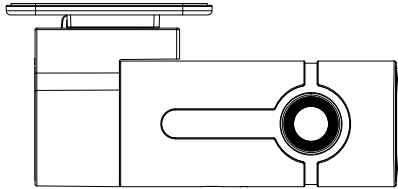


BOYO[®]
VISION

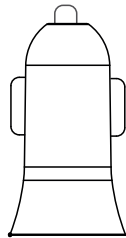
VTR 117GW

User Manual

PACKAGE CONTENTS



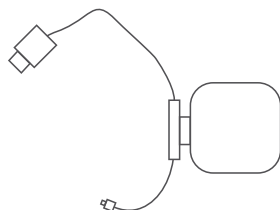
Dash Cam and
Mounting Bracket ×1



Dual USB Charger×1



3M VHB Mounting Tape×2

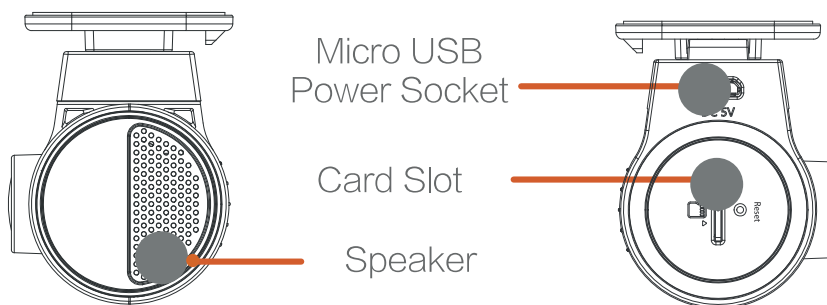
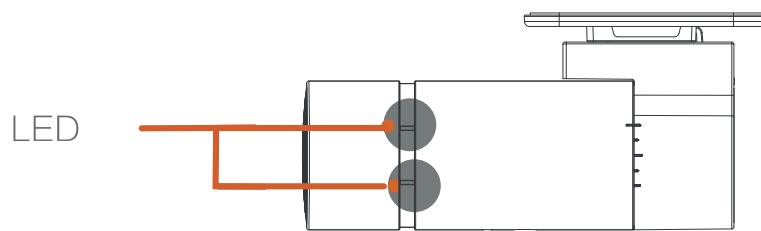
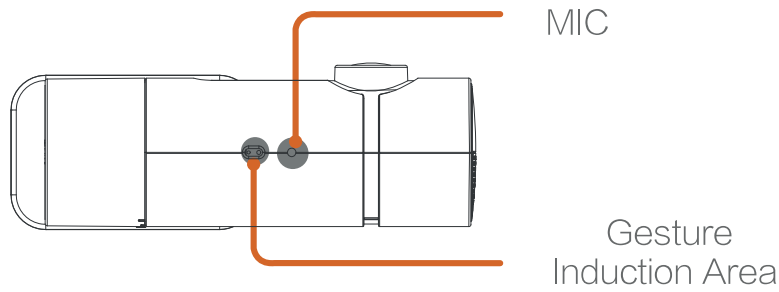
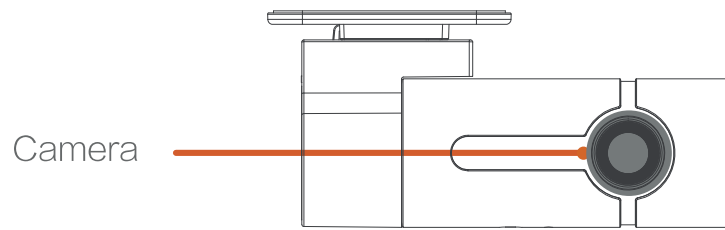


GPS Module/Power Cable x1



16 GB TF Card x 1

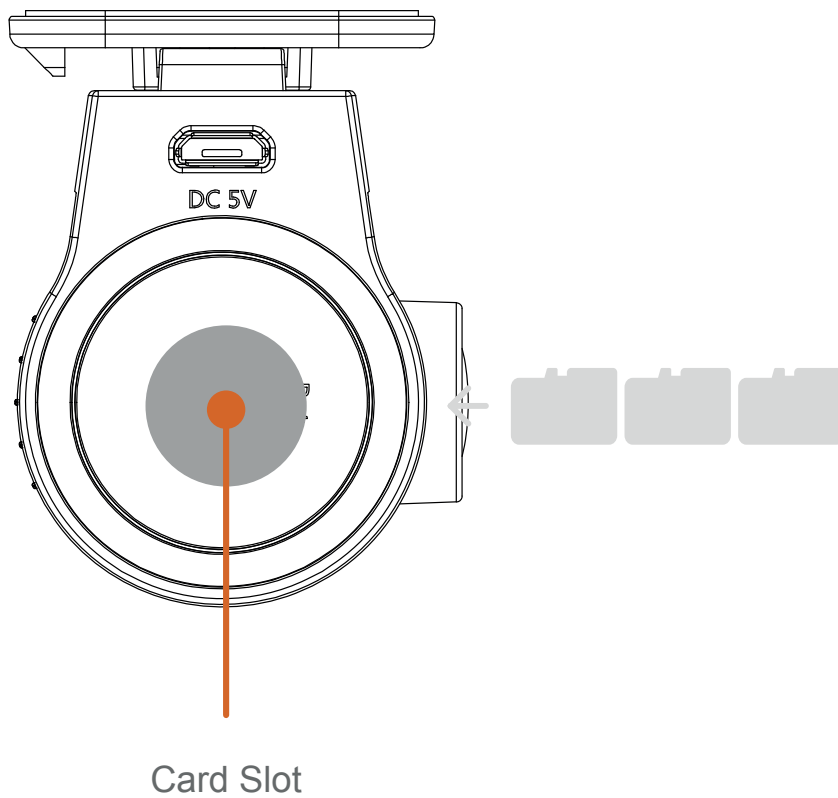
PRODUCT DIAGRAM AND FUNCTIONS



LED GUIDE:
Red: Flashing when recording;
Green: Mobile phone connected;

OPERATION

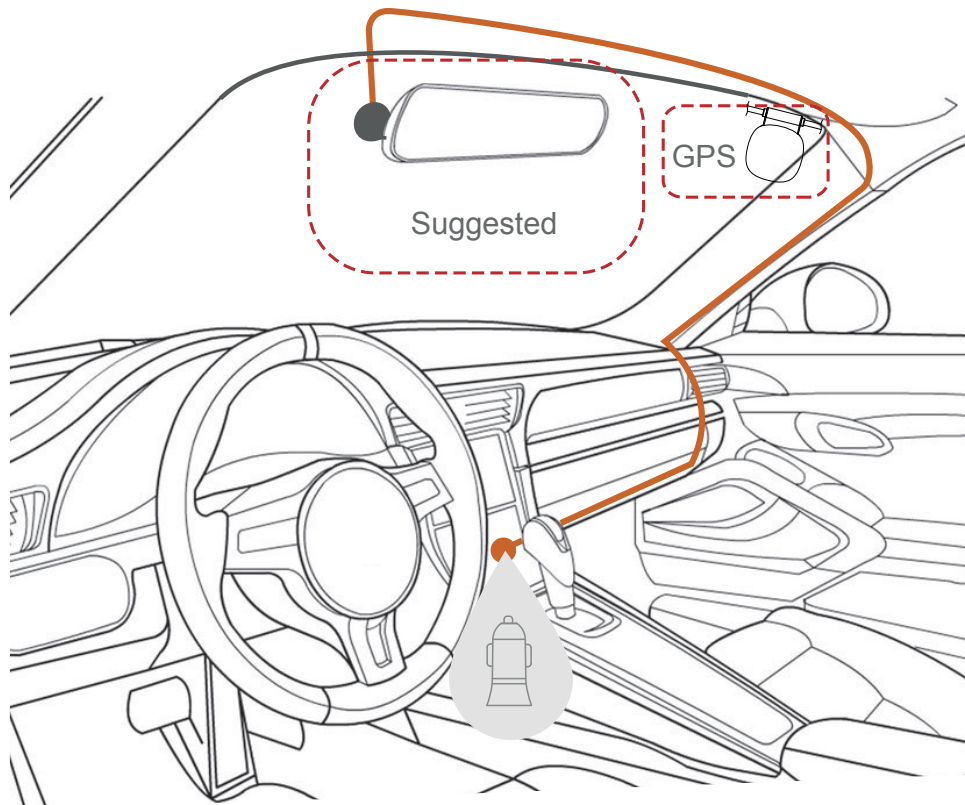
1. Insert TF card



The dash cam supports up to 64GB TF card. A Class 10 TF card is required.

2. Mounting the dash cam

As shown below



2.1 Mount the dash cam on the inside surface of the windshield. The area near the rear-view mirror is suggested.

2.2 Connect the USB power cable to the dash cam and the car charger, route the cable as illustrated above.

2.3 When the vehicle starts up, the dash cam will boot up automatically and voice "hello".

3. Connect the dash cam to a mobile device

Settings--- WLAN--- Select “BOYO HD Dashcam”---Enter password “12345678”--- Join --- BOYO HD Dashcam APP --- Success.

4. Take a photo or a short video

Motion your hand across the dash cam gesture area to take a photo. Switch to “Photography with Video” option in the dash cam settings to record a 10s short video (5s before and 5s after the action of your photo). You can download the photos and videos to your mobile device in the Album Page.

5. GPS

The GPS module is attached to the USB power cable. The GPS module captures the position and speed of the vehicle. It records the track of each route event.

Notes: For fast GPS positioning, the GPS module must be mounted as far away from the dash cam. Make sure the 3M tape is mounted to the windshield toward the sky with no obstructions.

6. BOYO APP, playback and download

BOYO APP: When the mobile device is connected to the APP, click it to preview the real-time video.

Playback: Click the video icon in the BOYO HD Dashcam APP and select the videos you would like to view.

7.Update

The dash cam has an OTA updating system, you will receive the latest firmware from the BOYO app. Click the “Send Firmware and Upgrade” in the camera settings to complete the firmware update.

8.Other settings

Enter the settings page to modify the general settings. You can change the G-sensor sensitivity, mic mute, volume level and etc.

9.Reset

Press the reset button for a few seconds to reset the dash cam, the default Wi-Fi password is 12345678.

10. Battery Protection Module (Optional)

When the dash cam enters 24H parking mode, the video will change to 1fps/sec to save SD card storage and reduce vehicle battery power drain; If there are any external impacts, the G-sensor will wake up the dash cam and switch back to 30fps/sec recording.

The function of the battery protection module is to detect low voltage of the vehicle battery power and make adjustments to reduce battery drain. For example when the dash cam is in 24H parking mode and the vehicle is left sitting for 10 to 15 days, the dash cam will continue to record and can drain the vehicle's battery power to a point in which the vehicle cannot be started. The battery protection module will make the necessary adjustments to reduce battery drain of the vehicle if low voltage has been detected.

11. Disclaimer

This device is NOT intended to be used for illegal purposes and shall not be used in any form as evidence for claiming purposes. Some countries prohibit drivers from mounting anything on the windshield, or restrict mounting to specific areas of the windshield. It is the owner's responsibility to mount the device in compliance with local laws. Errors may occur depending on the surrounding environment and the voltage of the vehicle. We are not liable/responsible for nonrecorded event, missing files, etc.

Do not operate the device while driving. Using this device does not change the requirement for a driver to take full responsibility for his or her behavior. This responsibility includes observing all traffic rules and regulations in order to avoid accidents, personal injury or property damage.

SPECIFICATIONS

1. Hardware

CPU: Hisilicon3561C_V200

Image sensor: Panasonic CMOS sensor.

Lens: 6-glass, 152° Wide Angle, F1.8 .

Wi-Fi: 2.4GHz, 802.11b/g/n.

G-sensor: three-axis accelerometer.

2. Technical

Video information: 1920x1080 (16:9), @30fps, *.mp4.

Audio information: 8KHz, 2 channels, AAC.

Photo information: 1920x1080, *.JPG.

Storage: Class 10 TF card, up to 64GB.

Working temperature: -4 °F to 158 °F

Working voltage & current: DC 5V & 1A.

Video processing: 3D denoising, image enhancement, LDC correction, etc.