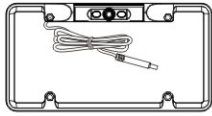


1. Parts list



A Camera×1



B Camera power extending line×1



C Screw set×4



D Allen key x1

2. Specifications

Key features

High sensitive 1/3.7" PC3030 Color CMOS built-in
 Effective Pixels:640(H)X480(V)
 Remarkable True color reproduction
 0.1 lux at F2.0 (0 lux with LED lights on)
 Excellent Auto White Balance
 Waterproof(IP67)
 Reverse/Non-reverse Image Switch
 Distance Guideline on/off Switch
 LED Lights on/off Switch

*Super sensitive 0.1lux image capture CMOS technology

5 times brighter than a standard camera in a low light illumination.

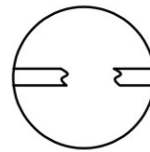
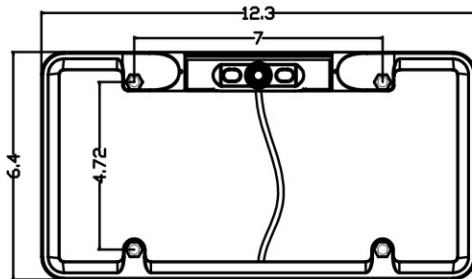
*Anti-scratch coating resists damage to the finish

Reduces visual wear and tear from exposure to the elements.

Specification

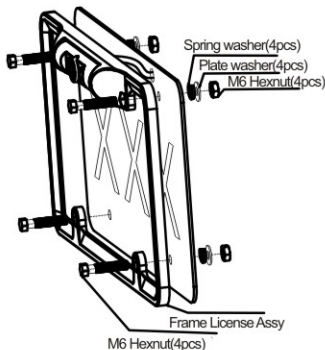
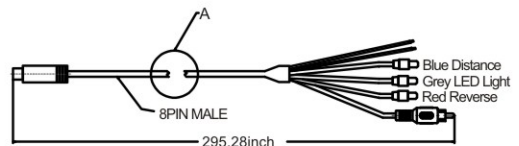
Image Sensor	1/3.7"color CMOS (PC3030)
System	NTSC
Effective Pixels	640(H)X480(V)
Viewing Angle	170° (diagonal)120°(H)/90°(V)
Min. Illumination	0.1 lux (0 lux with LED lights on)
Waterproof	IP67
Video Output	RCA connector, 1.0Vp-p, 75Ω
Current Consumption	100mA, Max700mA
Supply Voltage	DC7-24V Standard 12V
Operating Temperature	-4°F~+158°F , RH95%MAX
Storage Temperature	-22°F~+185°F , RH95%MAX

3. Dimension (inch) & Wiring

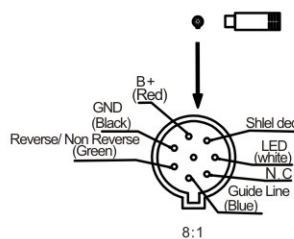


A
3:1

23.62inch, 8PIN FEMALE



M6 Hexnut(4pcs)



8:1