



## Super Slim License Plate Camera INSTRUCTION MANUAL

**\*Model**  VTL275TJ     VTL375TJ  
 VTL405TJ     VTL425TJ



CAUTION

Do not display a direct view of the sun for long periods

- A burned image could remain on the screen.

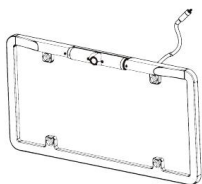
---

## Table of contents

1.Package -----	3-4
2. Limited time warranty -----	5
3. Care instructions -----	5
4.Key Features -----	5
5.Dimension& Wiring -----	6-7
6.Specification -----	8

## 1.Package

### 1-1.VTL275TJ / VTL375TJ



Super Slim Camera  
1FA



Instruction manual  
1EA



M6 Hex bolt  
4EA



Spring Washer  
4EA



Plate washer  
4EA



M6 Hex nut  
4EA



1.5ØL-wrench  
1EA



Adaptor cable  
1EA



Warranty card  
1EA

BOYO Wakon Tech America, Inc.	
Product Registration	
Name: _____	Company: _____
Address: _____	City: _____
State: _____	Zip: _____
Model No.: _____	Serial No.: _____
Purchase Date: _____	Store Name: _____
City/State of Store: _____	

Registration card  
1EA

## 1.Package

1-2.VTL405TJ / VTL425TJ †



Super Slim Camera  
1EA



Instruction manual  
1EA



M6 Hex bolt  
2EA



Spring Washer  
2EA



Spring Washer  
2EA



Spring Washer  
2EA



1.5ØL-wrench  
1EA



Adaptor cable  
1EA



Warranty card  
1EA

BOYO Valve Tech America, Inc.		Product Registration	
Name _____	Company _____		
Address _____			
City _____	State _____	Zip _____	
Phone _____	Fax _____		
Model No. _____	Serial No. _____		
Purchased Date _____	Sales Name _____		
City/State of Sale _____			

Registration card  
1EA

---

## 2.Limited time warranty

---

Limited time warranty applies only if care instructions are followed regularly.  
In the event of defective product or workmanship, please return the item to place of purchase.

---

## 3.Care instructions

---

Periodically when the frames appearance need maintenance, please take following action to restore its original brilliant luster.  
Use non abrasive mild soap detergent and water only to clean.

---

## 4.Key Features

---

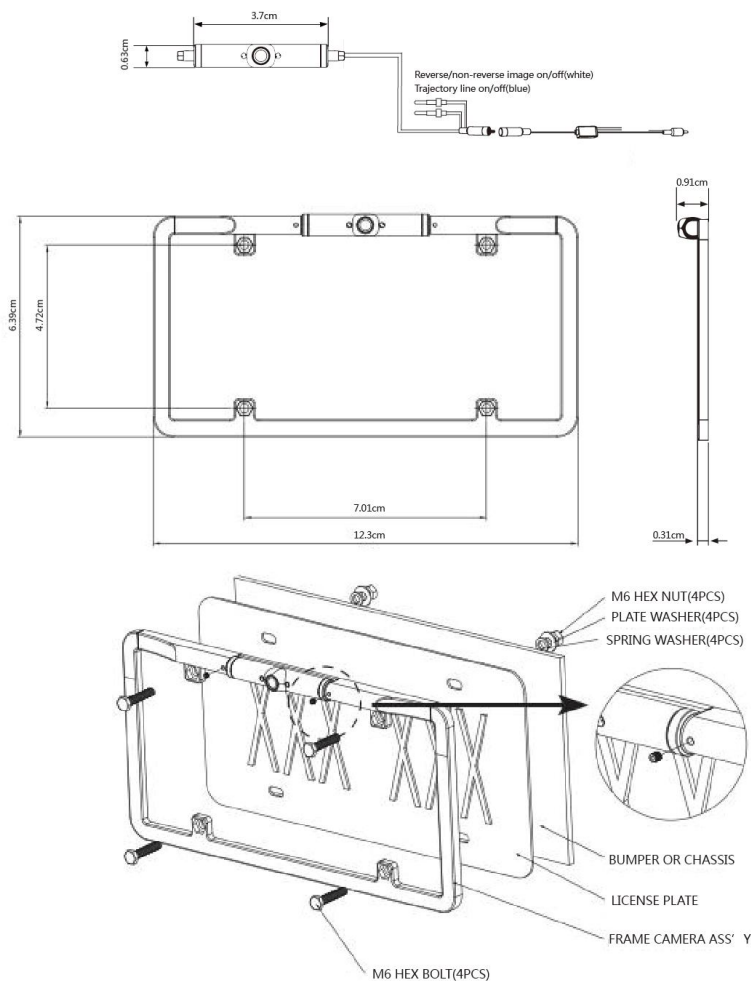
- 170°Wide viewing angle(D)
- 520 TVL Horizontal Resolution(VTL275TJ / VTL375TJ / VTL405 / VTL425TJ)
- Trajectory Parking lines
- Excellent Auto White Balance
- Waterproof(IP67)
- Parking lines on/off selectable
- Viewing angle adjustable up & down
- Reverse /Non-Reverse image selectable

### **\*Beautiful design & anti-scratch coating**

The camera design matches well with the products quality.  
It looks so elegant as much as the camera quality stands for.  
The unique face aims to best fit to the environment decorative to any place.  
It lasts its beautiful shape long time with scratch-free coating.

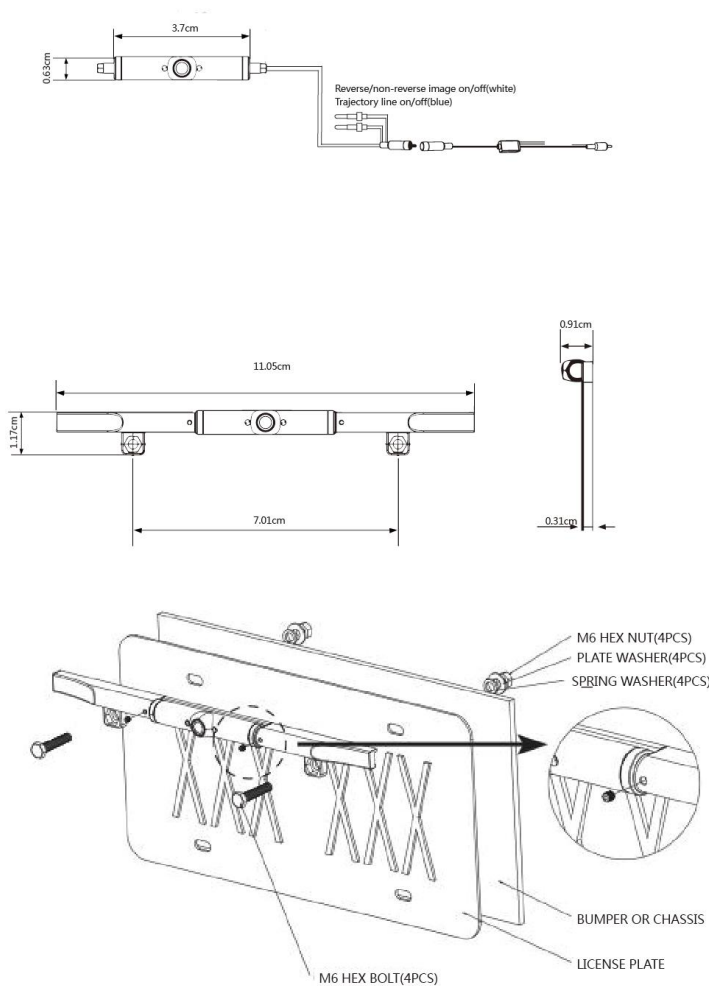
## 5.Dimension& Wiring

### 5-1.VTL275TJ / VTL375TJ



## 5.Dimension& Wiring

### 5-2.VTL405TJ / VTL425TJ



---

## 6.Specification

---

### 6-1.VTL275TJ / VTL375TJ / VTL405TJ / VTL425TJ

Description	Super Slim License Plate Camera
Effective Pixels	NTSC : 768(H)X494(V)
Horizontal resolution	520TV Lines
Total number of pixels	NTSC : 380K
Min.Illumination	0.1 Lux At F2.0
Synchronizing system	Internal
Scanning system	Interlaced
Video output	1Vp-p 75 ohm composite
S/N Ratio	More than 50dB
Electronic iris	1/50.1/60-1/100,00sec
Smear effect	0.005%
Gamma correction	$\gamma=0.45$
White balance	Auto.2100*K - 9100*K
Gain control	Auto.4dB - 30dB
Lens mount	1.56mm Board lens (175°D )
MTBF	80,000 hours
Power source	Car Electric Source DC12V (Tolerance:9-16V) Built-in transient impulse protection circuit
Operating current	70mA w/regulated power in
Operating Temp.	-4°F~-122°F ( -20°C~+60°C )
Storage Temp.	-40°F~-176°F ( -40°C~+80°C )
Humidity	Up to 90% RH(non-condensing)
Measurement	Camera Size : 3.70(L)X0.63(D)(Camera)
Weight(Approx.g)	VTL275TJ,VTL375TJ:469.5g/VTL405TJ,VTL425TJ:259.5g