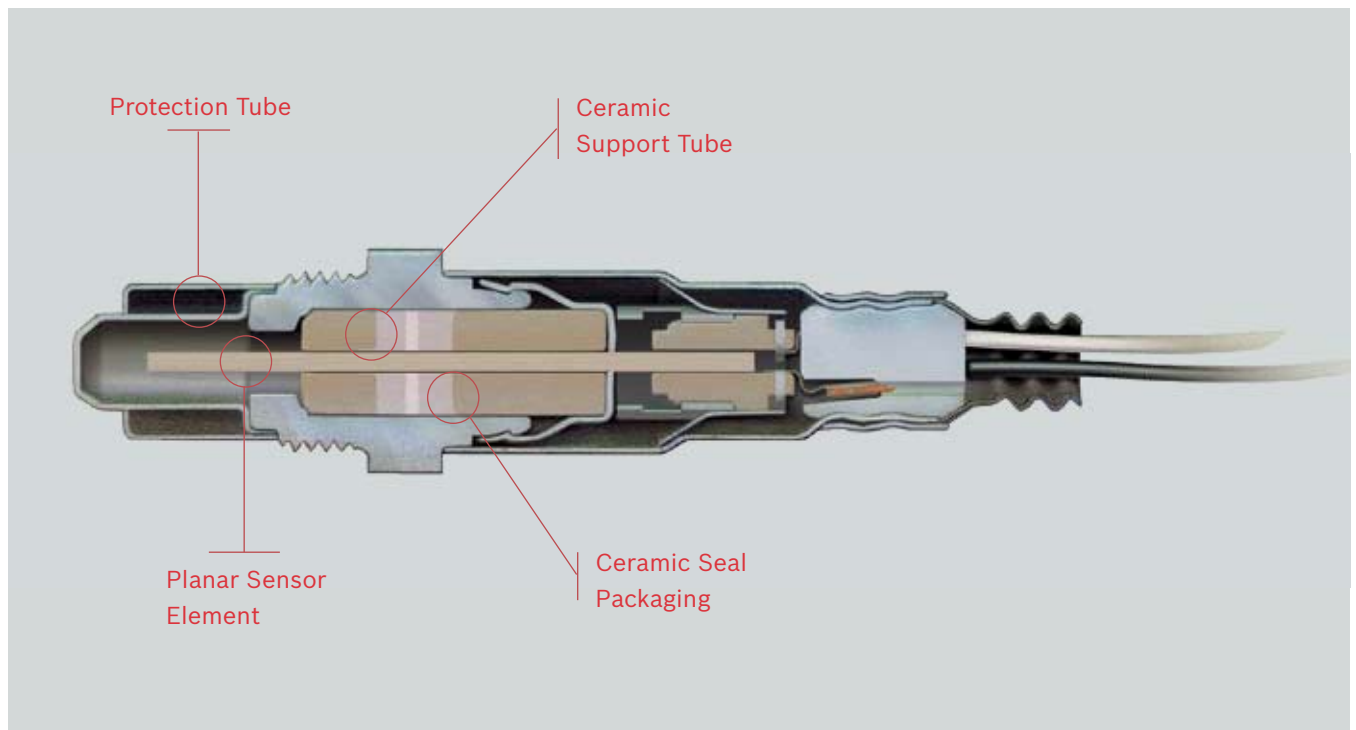


Bosch Planar Oxygen Sensor



BOSCH

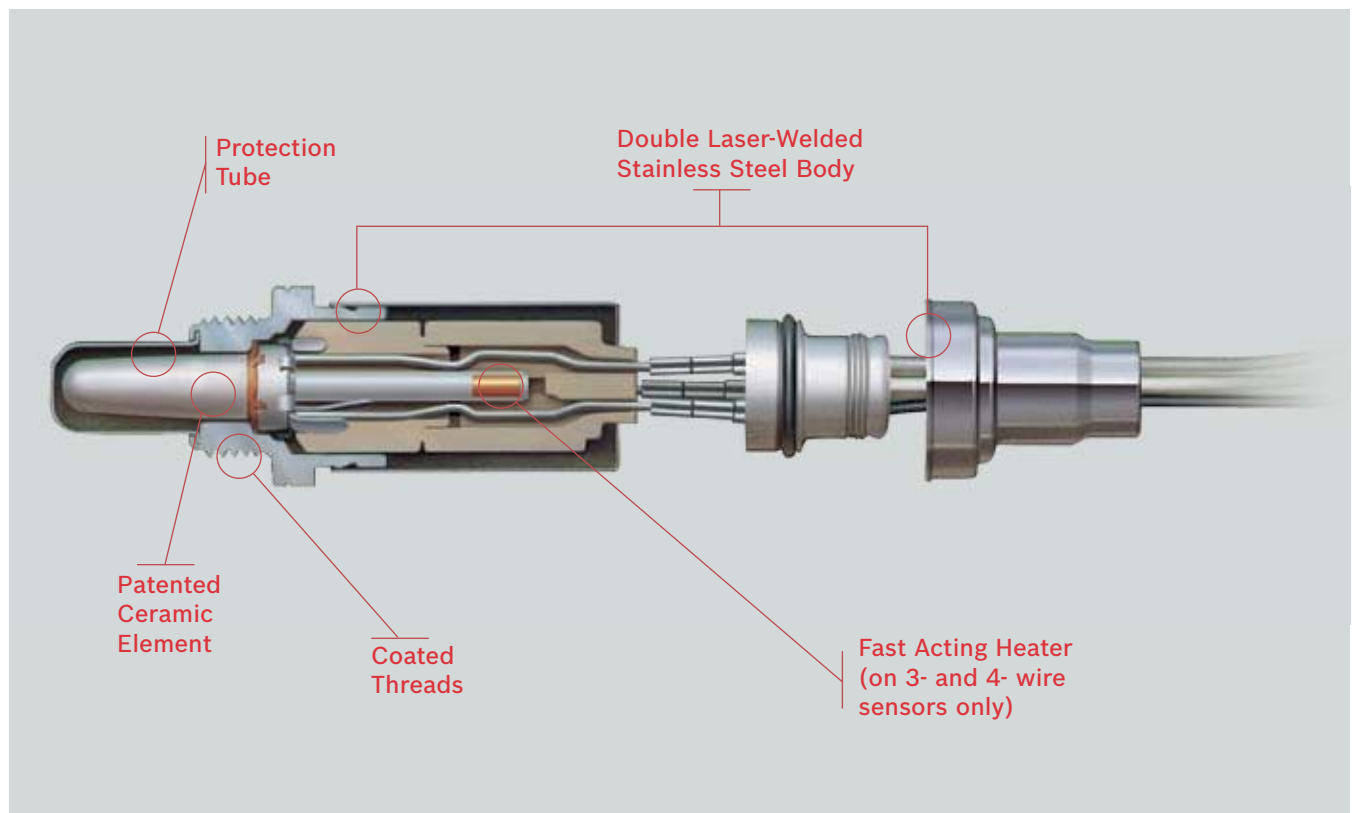


Premium Oxygen Sensors

Thimble Oxygen Sensor

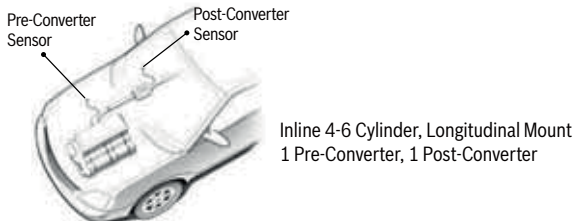


BOSCH

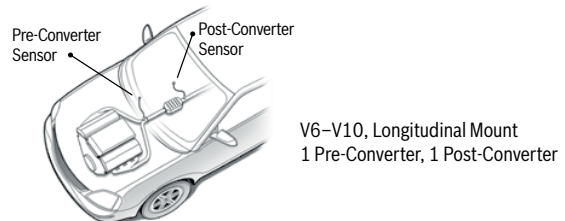


Oxygen Sensors Mounting Locations

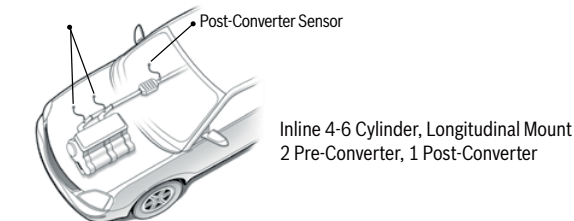
The illustrations below show several of the most common mounting configurations for oxygen sensors, depending on engine type and alignments. Check carefully to ensure that you are using the correct sensor for each location. Please note that the left side is the drivers side, the right is the passenger side.



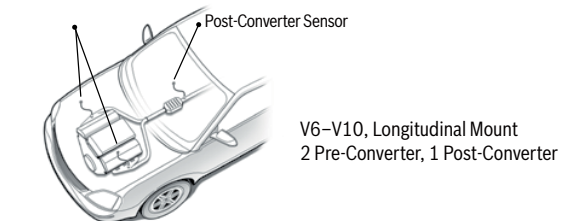
Pre-Converter Sensor, Front and Rear Manifold/Exhaust



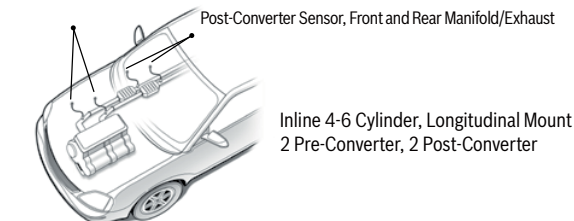
Pre-Converter Sensor, Front and Left Manifold/Exhaust



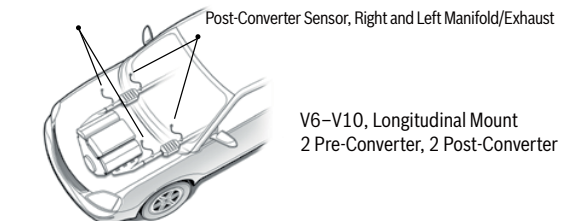
Pre-Converter Sensor, Front and Rear Manifold/Exhaust



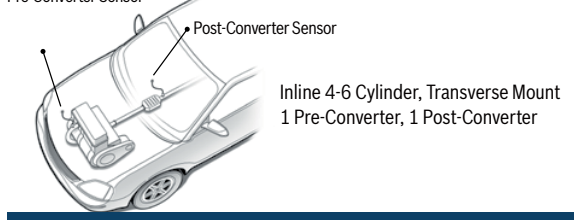
Pre-Converter Sensor, Front and Left Manifold/Exhaust



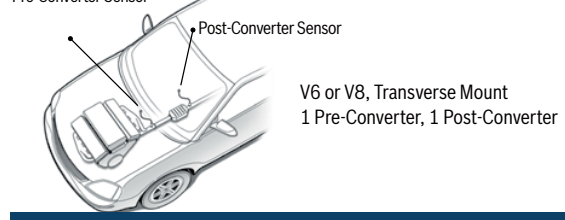
Pre-Converter Sensor



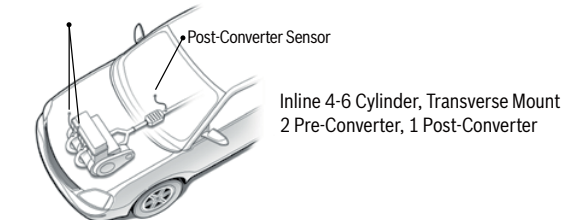
Pre-Converter Sensor



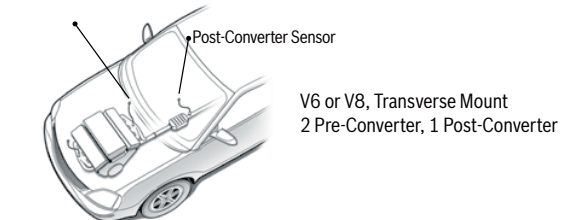
Pre-Converter Sensor, Right and Left Manifold/Exhaust



Pre-Converter Sensor, Front and Rear Manifold/Exhaust



Pre-Converter Sensor, Right and Left Manifold/Exhaust



Pre-Converter Sensor, Front and Rear Manifold/Exhaust

