

Installation Guide for Ford F-150 Raptor & Raptor R

PNs 60727BC, 60727CFBA



******* Please compare the parts in the box with the bill of materials provided *****
to assure that you have all the parts necessary for this installation.**

These instructions have been written to help you with the installation of your Borla Performance exhaust system. Please read this document completely before beginning the installation of your system.

To ensure this part number fits your specific model year, please visit our website for the latest model year listings at www.BORLA.com

Thank you for purchasing a Borla Performance exhaust system.

Borla Performance Tail Pipe Kit PNs 60727BC and 60727CFBA are designed for the Ford F-150 Raptor equipped with a 3.5L V6 twin turbo-charged engine and 4WD automatic transmission and for the Ford F-150 Raptor R equipped with a 5.2L V8 supercharged engine and 4WD automatic transmission.

NOTE: These components are compatible and will mate to the factory exhaust.

Borla Performance Industries recommends that an exhaust shop or professional after market parts installer, who has all the necessary equipment, tools and experienced personnel needed for proper installation, should perform the installation of this system. However, if you decide to perform the installation, we recommend someone should help you. Ensure the installer uses all under car safety precautions including eye protection.

Please take time to read and understand the following...

By installing your Borla Performance exhaust system, you indicate that you have read this document and you agree with the terms stated below.

It is the responsibility of the purchaser to follow all installation instruction guidelines and safety procedures supplied with your Borla Performance exhaust system.

Borla Performance Industries assumes no responsibility for damages occurring from misuse, abuse, improper installation, improper operation, lack of responsible care, or all previously stated reasons resulting from incompatibility with other manufacturer's products and/or systems.

Included with your Borla Performance exhaust system is a warranty card. Please read it carefully before you begin any work on your vehicle. If you should have any questions regarding our warranty policy, installation, or any other matter pertaining to your new Borla Performance exhaust system, please give us a call at the number provided on the warranty card.

Minimum Required Tool List:

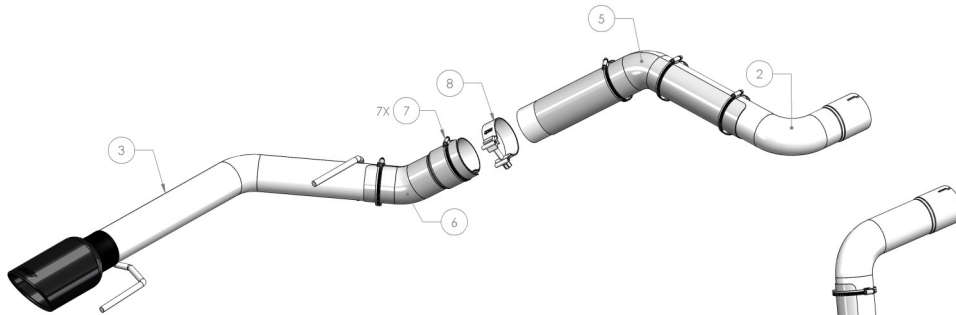
TOOLS:

1. 3/8" drive ratchet
2. 3/8" drive extension 6"
3. 10mm socket
4. 15mm deep well socket
5. Pry bar

SHOP SUPPLIES:

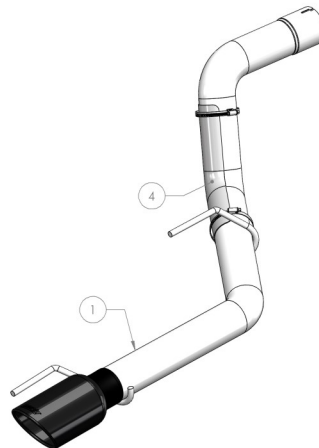
1. Spray lubricant

Borla Performance - Bill of Materials



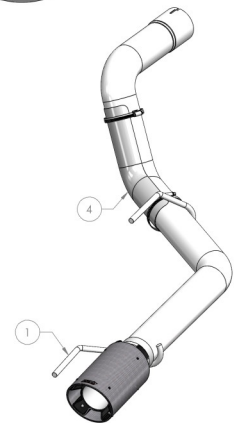
60727BC

ITEM NO.	QTY.	PART NUMBER	DESCRIPTION
1	1	57917BC	R/H TAILPIPE ASSEMBLY
2	1	621596	L/H CROSS-OVER PIPE: Dia. 3.00" X 33.82"
3	1	57918BC	L/H TAILPIPE ASSEMBLY
4	1	470636	R/H TAILPIPE HEAT SHIELD
5	1	470637	CROSS-OVER PIPE HEAT SHIELD
6	1	470638	L/H TAILPIPE HEAT SHIELD
7	7	90731	CLAMP, WORM-DRIVE HOSE & TUBE, #48, 3.0"
8	1	90114	3.00 ACCUSEAL CLAMP



60727CFBA

ITEM NO.	QTY.	PART NUMBER	DESCRIPTION
1	1	57917CFBA	R/H TAILPIPE ASSEMBLY
2	1	621596	L/H CROSS-OVER PIPE: Dia. 3.00" X 33.82"
3	1	57918CFBA	L/H TAILPIPE ASSEMBLY
4	1	470636	R/H TAILPIPE HEAT SHIELD
5	1	470637	CROSS-OVER PIPE HEAT SHIELD
6	1	470638	L/H TAILPIPE HEAT SHIELD
7	7	90731	CLAMP, WORM-DRIVE HOSE & TUBE, #48, 3.0"
8	1	90114	3.00 ACCUSEAL CLAMP



Caution!!! *Never work on a hot exhaust system. Serious injury in the form of burns can result if the vehicle has been in use and the exhaust system is hot, allow vehicle to cool for at least 1 hour. Always wear eye protection when working under any vehicle.*

Note: It is our recommendation that you use a hoist or hydraulic lift to facilitate the installation of your new Borla Performance Exhaust System.

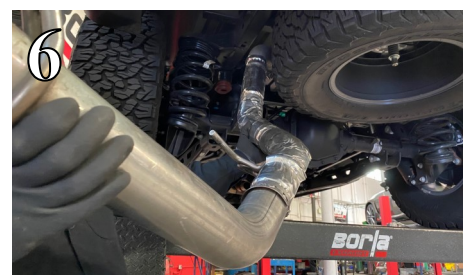
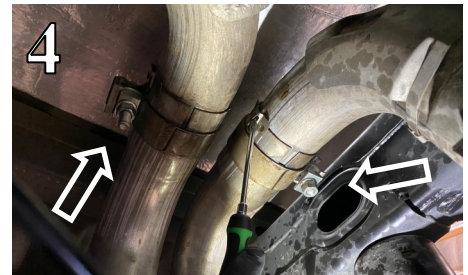
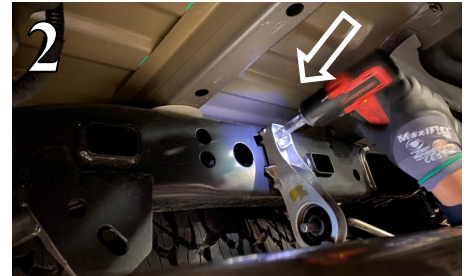
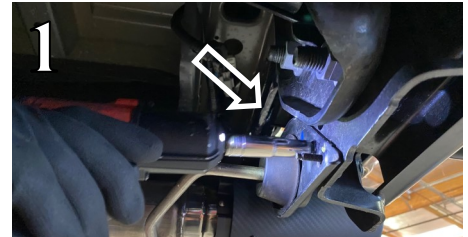
Taking all under car safety precautions, lift the vehicle using a hoist or hydraulic lift. Once this has been done, you may begin the removal of your old exhaust system from your vehicle.

Note: Before removing the original exhaust system from your vehicle, please compare the parts you have received with the bill of materials provided on the previous page to assure that you have all the parts necessary for the installation of your new Borla Performance Exhaust System.

Note: With a used vehicle, we suggest a penetrating spray lubricant to be applied liberally to all exhaust fasteners and allowing a significant period of time for the chemical to lubricate the threads before attempting to disassemble.

Original Exhaust System Removal

1. Lubricate all hangers, rubber isolators, bolts and nuts.
2. Remove the hardware that attaches the original right rear isolator assembly to the vehicle and remove the assembly from the tailpipe (Fig. 1). Save hardware and isolator for re-installation.
3. Remove the hardware that attaches the original right center isolator assembly to the vehicle. Lift the isolator assembly upward so that it releases from the frame and remove the assembly from the tailpipe (Figs. 2-3). Save hardware and isolator for re-installation.
4. Loosen clamp that attaches the right tailpipe to the exhaust system. Using a flathead screwdriver or a prybar, pry up on the clip to release the tailpipe from the vehicle (Fig. 4).
5. Remove right tailpipe from the vehicle by sliding the inlet out of the original exhaust system and lowering it to the floor (Fig. 5).
6. Repeat steps 2-5 on the left tailpipe of the vehicle (Fig. 6).
7. Original tailpipes removed.



Borla Performance Tail Pipe Kit Installation

1. Orient components on shop floor according to Borla bill of materials drawing on page 2.
2. Place a clamp over the expanded end of the **R/H Tailpipe Assembly** and feed it up and over the axle, inserting the inlet to the **Muffler Assembly** (Fig. 7). Do not tighten the clamp.
3. Install the two original isolator assemblies onto the hangers and reattach them to the vehicle using the original hardware (Figs. 8-10).
4. Place a clamp over the expanded end of the **L/H Cross-Over Pipe** and feed it up and over the axle, inserting the inlet to the **Muffler Assembly** (Fig. 11). Do not tighten the clamp.
5. Place a clamp over the expanded end of the **L/H Tailpipe Assembly** and insert the inlet to the **L/H Cross-Over Pipe** (Fig. 12). Do not tighten the clamp.
6. Repeat step 3 for installation of **L/H Tailpipe Assembly**.
7. Check your exhaust system for proper clearance under the vehicle and also for tip alignment (Fig. 13).
8. Once position has been determined to be correct, tighten the Accuseal clamps to 32-35 ft. lbs.
9. Before starting your vehicle, make sure to check all wires, hoses, brake lines, body parts and tires for safe clearance from the exhaust system.
10. Start the vehicle and check for any leaks. If any leaks are found, determine cause (such as loose or incorrectly positioned clamp) and repair as necessary.



WARNING: Use extreme caution during installation. Torque all fasteners according to manufacturer's torque values and tightening sequence. **DO NOT** use air impact tools to tighten fasteners on Borla Performance Exhaust Systems. Use of such tools may result in bent flanges or gasket contact areas leading to exhaust leaks.

NOTE: When you first start your vehicle after the installation of your new Borla Performance Exhaust System, there may be some smoke and fumes coming from the system. This is a protective oil based coating used in the manufacturing of mandrel bent performance exhaust tubing. This is not a problem and will disappear within a very short period of time after the exhaust has reached normal operating temperatures.