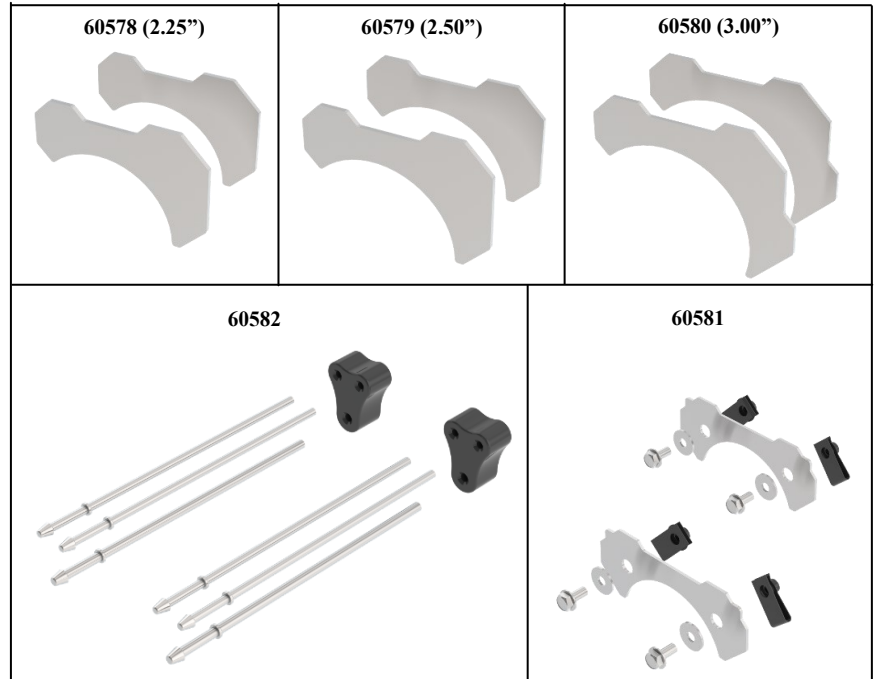


CrateMuffler™ Accessory Installation Guide



******* Please compare the parts in the box with the bill of materials provided ***** to assure that you have all the parts necessary for this installation.**

These instructions have been written to help you with the installation of your Borla Performance System. Please read this document completely before beginning the installation of your system.

Borla Performance Industries recommends that an exhaust shop or professional after market parts installer perform the installation of this system. However, if you decide to perform the installation on your own it is recommended that two people work together. This installation should not be performed by one person due to the risk of injury. Ensure the installers use all under car safety precautions including eye protection.

Please take time to read and understand the following...

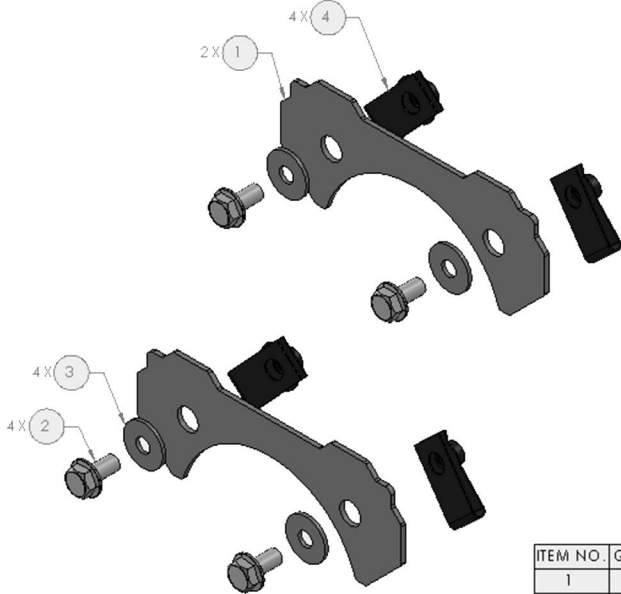
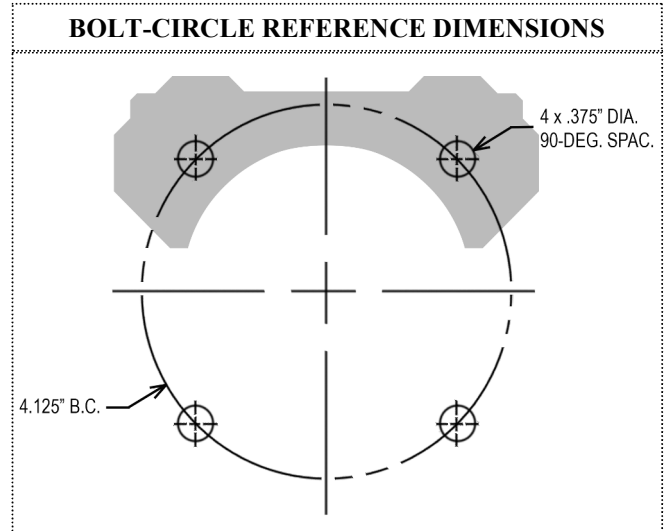
By installing your Borla Performance Exhaust Accessory, you indicate that you have read this document and you agree with the terms stated below.

It is the responsibility of the purchaser to follow all installation instruction guidelines and safety procedures supplied with your Borla Performance Accessory.

Borla Performance Industries assumes no responsibility for damages occurring from misuse, abuse, improper installation, improper operation, lack of responsible care, or all previously stated reasons resulting from incompatibility with other manufacturer's products and/or systems.

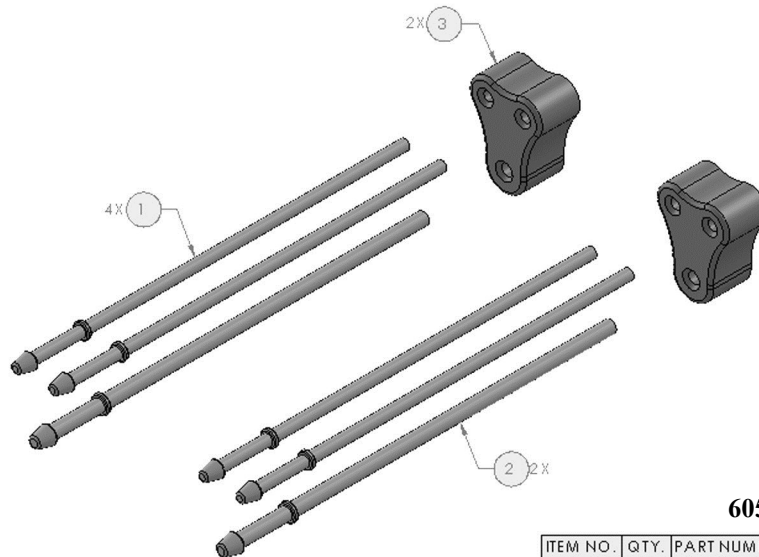
Included with your Borla Performance Accessory is a warranty card. Please read it carefully before you begin any work on your vehicle. If you should have any questions regarding our warranty policy, installation, or any other matter pertaining to your new Borla Performance Accessory, please give us a call at the number provided on the warranty card.

Borla Performance - Bill of Materials



60581 Endplate Bracket Kit

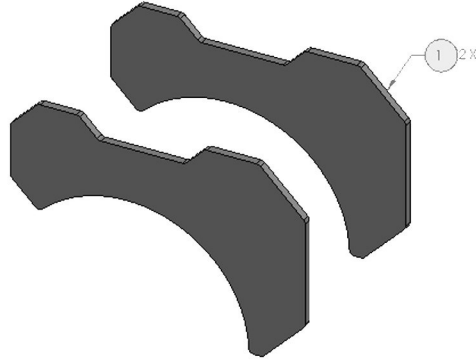
ITEM NO.	QTY.	PART NUMBER	DESCRIPTION
1	2	22461	ENDPLATE BRACKET
2	4	92244444	BOLT/SCREW-EXH MANIF H/SHLD
3	4	92039	Flat Washer: M6 Screw Size, 1.8mm OD
4	4	93077	Clip-on Nut: M6 Size, 1mm Pitch



60582 8-PC Hanger Kit

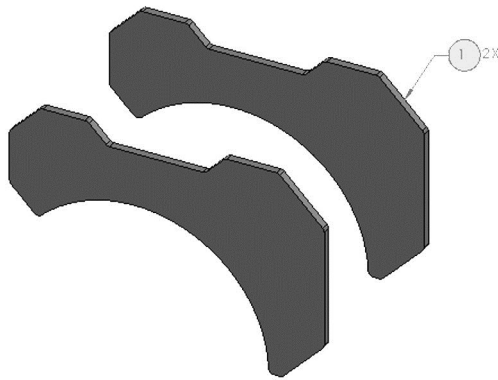
ITEM NO.	QTY.	PART NUMBER	DESCRIPTION
1	4	73227	HANGER: DIA.(8mm).31 X 12.00" LG
2	2	73228	HANGER: DIA.(9.5mm).38 X 12.00" LG
3	2	94273	ISOLATOR: 2.27 X 2.91 X 1.30"

Borla Performance - Bill of Materials



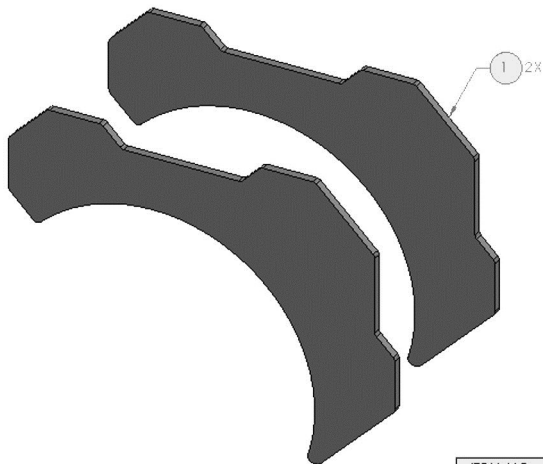
60578 2.25" Tube Bracket

ITEM NO.	QTY.	PART NUMBER	DESCRIPTION
1	2	22462	Ø2.25" TUBE BRACKET



60579 2.50" Tube Bracket

ITEM NO.	QTY.	PART NUMBER	DESCRIPTION
1	2	22463	Ø2.50" TUBE BRACKET



60580 3.00" Tube Bracket

ITEM NO.	QTY.	PART NUMBER	DESCRIPTION
1	2	22464	Ø3.00" TUBE BRACKET

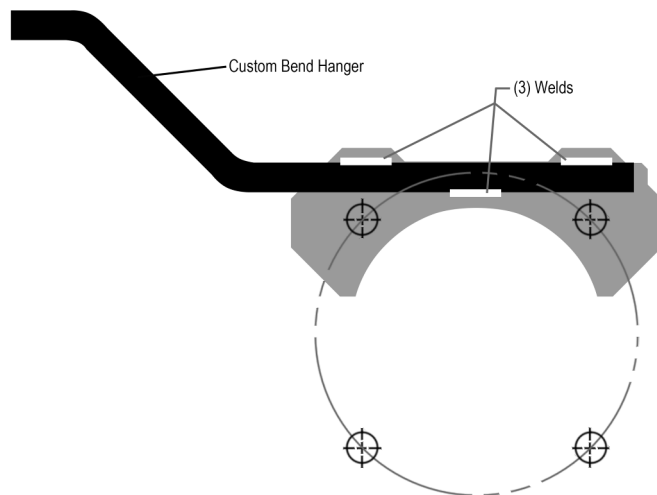
ENDPLATE BRACKET KIT INSTALLATION

Borla Endplate Brackets allow the fabricator to create a service removable Borla CrateMuffler™ hanger system. This approach also allows unlimited customization in color-matching or polishing components for builders looking for creative detailing.

Borla Endplate Brackets bolt directly to Borla CrateMuffler™ endplates with slip-on U-Nuts and M6 bolts/washers. They can be rotated 90 -degrees (4-positions) on the **Center Exit** Borla CrateMuffler™ allowing design flexibility. (*Note: Endplate Brackets have 1-position on the Offset Exit Borla CrateMuffler™.*)

Hangers are welded to Borla Endplate Brackets; hangers are inserted into rubber isolators (kit available separately, PN-60582). This system allows the fabricator to complete a styled hanger tailored to the vehicle.

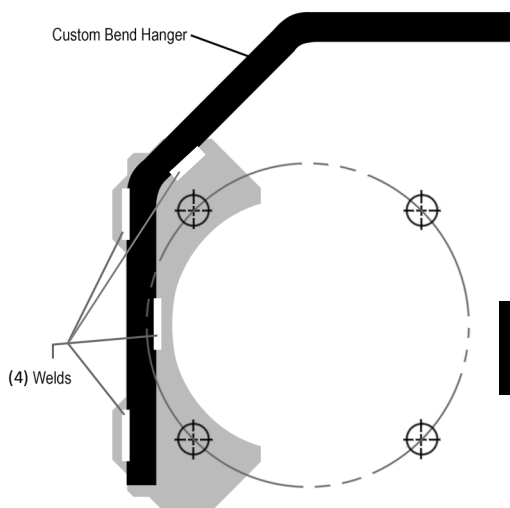
(RECOMMENDED) MINIMUM HANGER WELDS - CENTER EXIT CrateMuffler™



M6 Bolt Torque:
14 ft. lbs.



MINIMUM HANGER WELDS - OFFSET EXIT CrateMuffler™



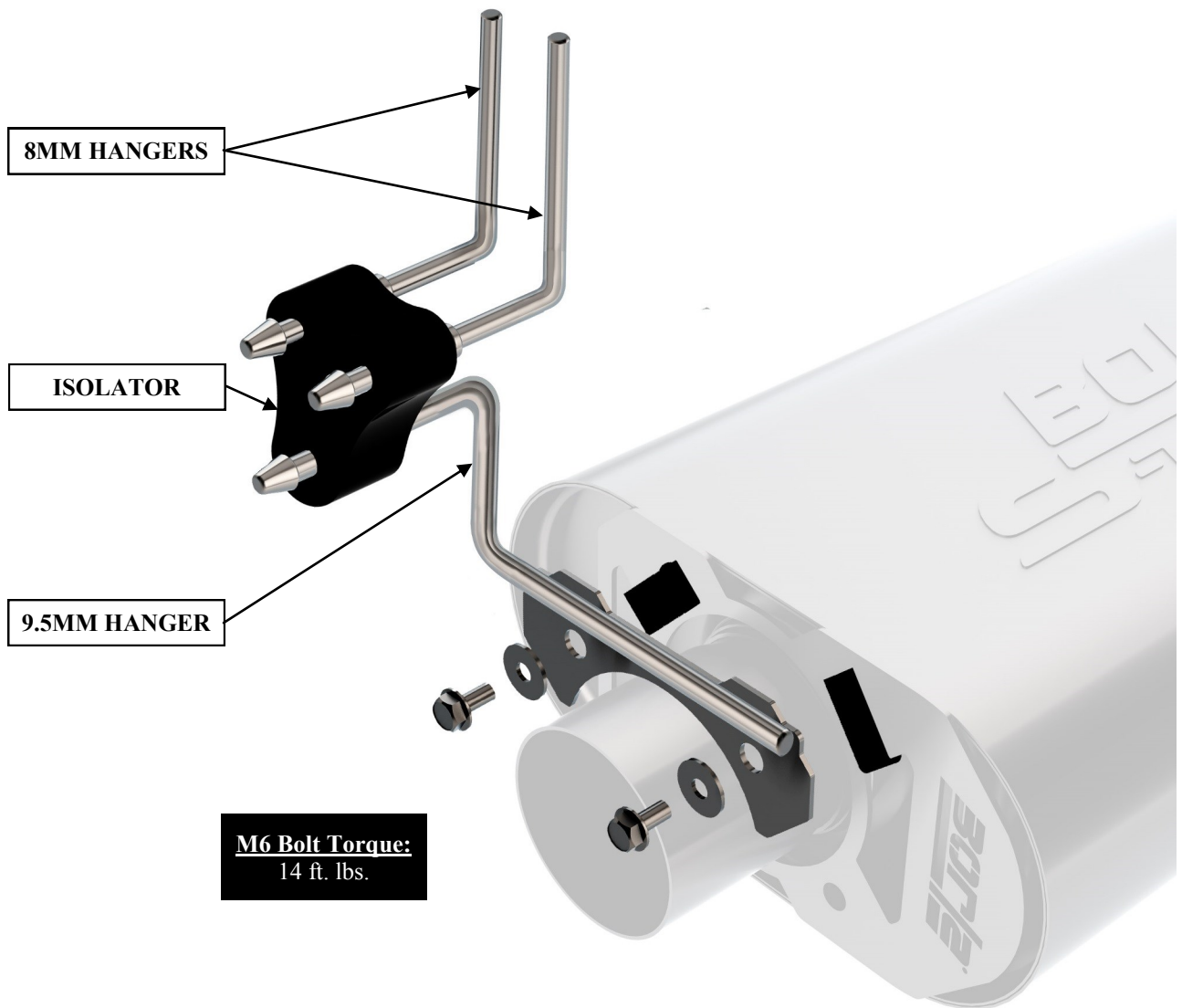
M6 Bolt Torque:
14 ft. lbs.



8-PIECE BRACKET KIT

The Borla 8-Piece Bracket Kit is designed to compliment Borla Endplate Brackets (PN-60581) and Borla Tubing Brackets (PNs 60578, 60579, 60580) which completes your Borla CrateMuffler™ system. This system enables the fabricator to design a styled hanger tailored to the vehicle.

TYPICAL HANGER BEND LAYOUT - CENTER EXIT CrateMuffler™ (LEFT-SIDE)



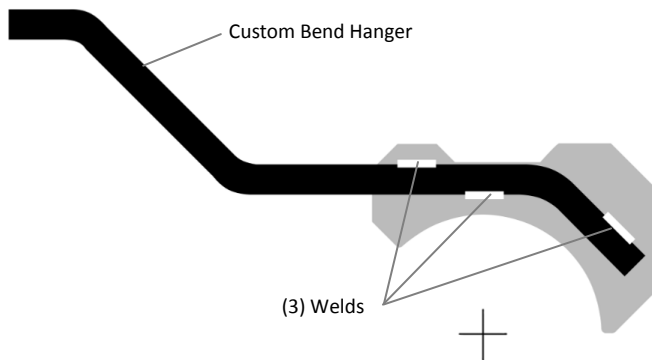
TUBE BRACKETS

Borla Tube Brackets compliment Borla CrateMuffler™ aesthetics. They require less time to install (compared to bending hanger rod to match tubing diameter) and with some creativity, there is flexibility to create a custom look.

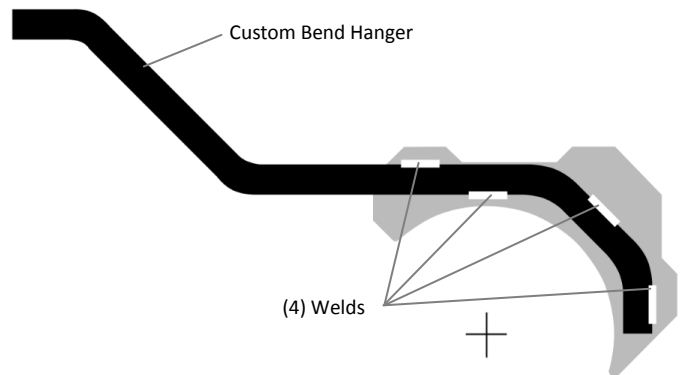
Exhaust tubing is secured with welded Borla Tube Brackets, welded hangers inserted into rubber isolators (kit available separately, PN-60582). This system allows the fabricator to complete a styled hanger tailored to the vehicle.

(RECOMMENDED) MINIMUM HANGER WELD LOCATIONS (BACK-SIDE)

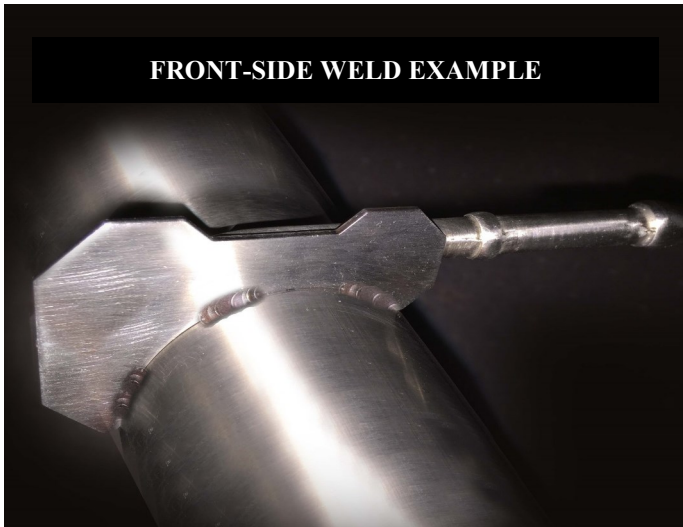
60578 (2.25") & 60579 (2.50")



60580 (3.00")



FRONT-SIDE WELD EXAMPLE



BACK-SIDE WELD EXAMPLE

