

## Installation Guide for Jeep Grand Cherokee V6 PNs 140835, 140835BC, 140836



**\*\*\*\*\* Please compare the parts in the box with the bill of materials provided \*\*\*\*\*  
to assure that you have all the parts necessary for this installation.**

These instructions have been written to help you with the installation of your Borla Performance Exhaust System. Please read this document completely before beginning the installation of your system.

**Thank you for purchasing a Borla Performance Exhaust System.**

**These Borla Performance Cat-Back™ Exhaust Systems (PNs 140835, 140835BC, 140836) are designed for the Jeep Grand Cherokee equipped with a 3.6L V6 engine, and 2WD or 4WD automatic transmission. Please note that PN 140836 is designed to work only with Grand Cherokee models equipped with rectangular tips, and reuses the stock tips.**

Borla Performance Industries recommends that an exhaust shop or professional after market parts installer, who has all the necessary equipment, tools and experienced personnel needed for proper installation, should perform the installation of this system. However, if you decide to perform the installation, we recommend someone should help you. Ensure the installer uses all under-car safety precautions including eye protection.

*Please take time to read and understand the following...*

By installing your Borla Performance Exhaust System, you indicate that you have read this document and you agree with the terms stated below.

It is the responsibility of the purchaser to follow all installation instruction guidelines and safety procedures supplied with your Borla Performance Exhaust System.

Borla Performance Industries assumes no responsibility for damages occurring from misuse, abuse, improper installation, improper operation, lack of responsible care, or all previously stated reasons resulting from incompatibility with other manufacturer's products and/or systems.

Included with your Borla Performance Exhaust System is a warranty card. Please read it carefully before you begin any work on your vehicle. If you should have any questions regarding our warranty policy, installation, or any other matter pertaining to your new Borla Performance Exhaust System, please give us a call at the number provided on the warranty card.

**Minimum Required Tool List:**

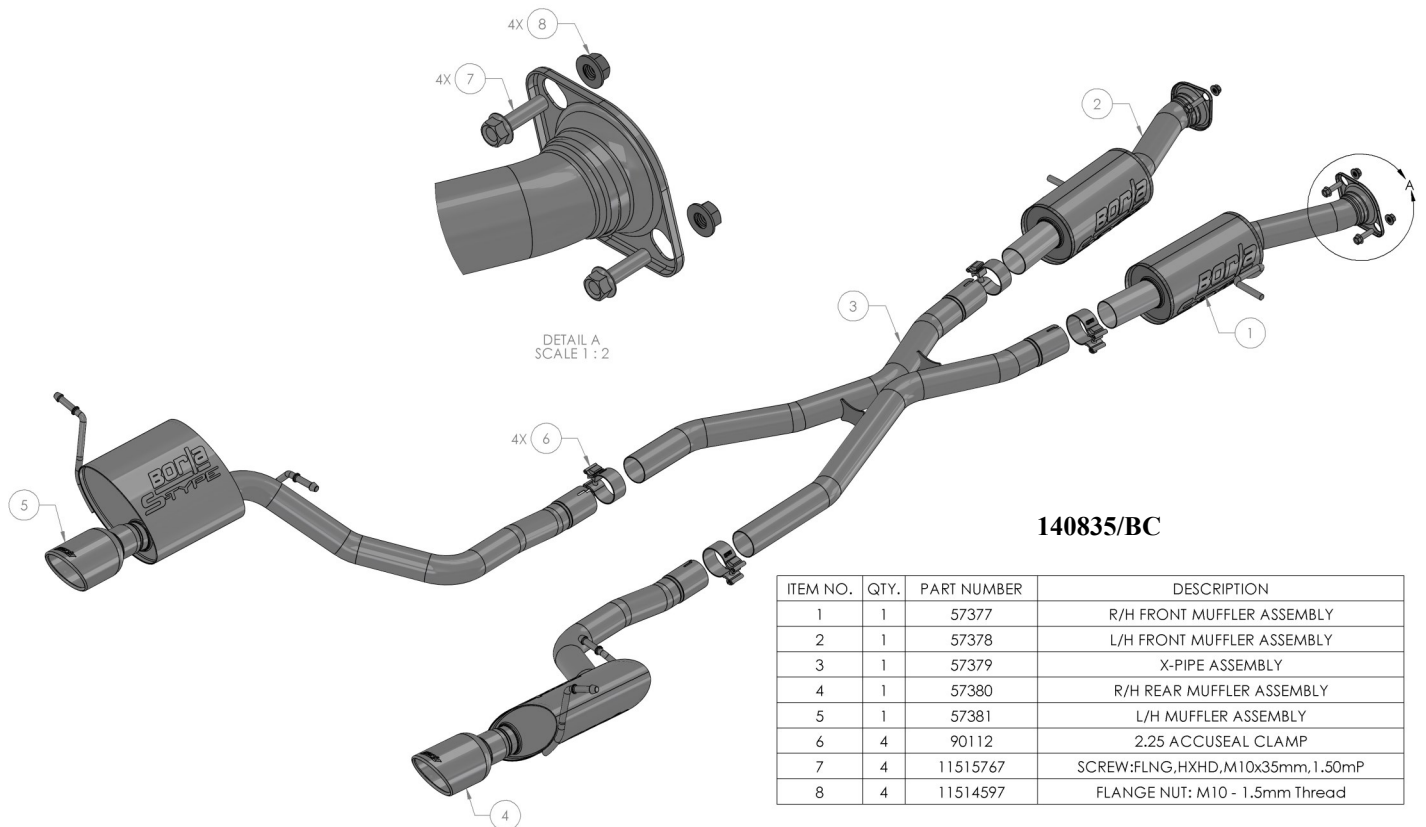
**TOOLS:**

1. 3/8” drive ratchet
2. 3/8” drive extension 3”
3. 15mm deep well socket
4. 13mm socket
5. Pry bar

**SHOP SUPPLIES:**

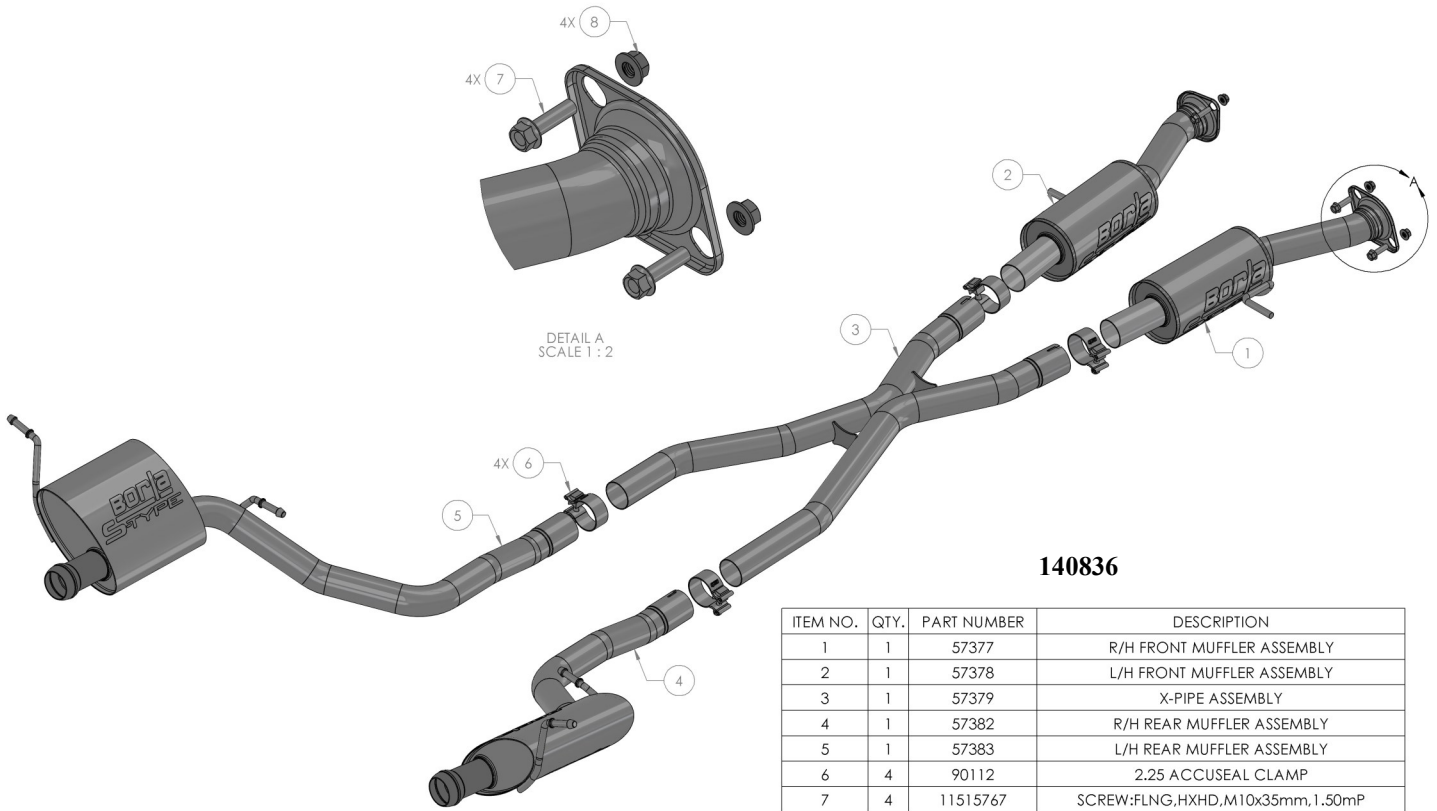
1. Spray lubricant

**Borla Performance - Bill of Materials**



**140835/BC**

| ITEM NO. | QTY. | PART NUMBER | DESCRIPTION                     |
|----------|------|-------------|---------------------------------|
| 1        | 1    | 57377       | R/H FRONT MUFFLER ASSEMBLY      |
| 2        | 1    | 57378       | L/H FRONT MUFFLER ASSEMBLY      |
| 3        | 1    | 57379       | X-PIPE ASSEMBLY                 |
| 4        | 1    | 57380       | R/H REAR MUFFLER ASSEMBLY       |
| 5        | 1    | 57381       | L/H MUFFLER ASSEMBLY            |
| 6        | 4    | 90112       | 2.25 ACCUSEAL CLAMP             |
| 7        | 4    | 11515767    | SCREW:FLNG,HXHD,M10x35mm,1.50mP |
| 8        | 4    | 11514597    | FLANGE NUT: M10 - 1.5mm Thread  |



**140836**

| ITEM NO. | QTY. | PART NUMBER | DESCRIPTION                     |
|----------|------|-------------|---------------------------------|
| 1        | 1    | 57377       | R/H FRONT MUFFLER ASSEMBLY      |
| 2        | 1    | 57378       | L/H FRONT MUFFLER ASSEMBLY      |
| 3        | 1    | 57379       | X-PIPE ASSEMBLY                 |
| 4        | 1    | 57382       | R/H REAR MUFFLER ASSEMBLY       |
| 5        | 1    | 57383       | L/H REAR MUFFLER ASSEMBLY       |
| 6        | 4    | 90112       | 2.25 ACCUSEAL CLAMP             |
| 7        | 4    | 11515767    | SCREW:FLNG,HXHD,M10x35mm,1.50mP |
| 8        | 4    | 11514597    | FLANGE NUT: M10 - 1.5mm Thread  |

**Caution!!!** *Never work on a hot exhaust system. Serious injury in the form of burns can result if the vehicle has been in use and the exhaust system is hot, allow vehicle to cool for at least 1 hour. Always wear eye protection when working under any vehicle.*

**Note:** *It is our recommendation that you use a hoist or hydraulic lift to facilitate the installation of your new Borla Performance Exhaust System.*

**Taking all under car safety precautions, lift the vehicle using a hoist or hydraulic lift. Once this has been done, you may begin the removal of your old exhaust system from your vehicle.**

**Note:** *Before removing the original exhaust system from your vehicle, please compare the parts you have received with the bill of materials provided on the previous page to assure that you have all the parts necessary for the installation of your new Borla Performance Exhaust System.*

**Note:** *With a used vehicle, we suggest a penetrating spray lubricant to be applied liberally to all exhaust fasteners and allowing a significant period of time for the chemical to lubricate the threads before attempting to disassemble.*

## Original Exhaust System Removal

1. Lubricate all hangers, rubber isolators, nuts and bolts.
2. Loosen the hardware on the L/H rear muffler assembly (fig. 1).
3. Remove the L/H rear muffler hangers from the rubber isolators (fig. 2).
4. Carefully remove the L/H rear muffler assembly (fig. 3).
5. Remove the hardware on the front flanges and set it aside (fig. 4).
6. Loosen the bolts securing the front muffler assembly hangers to the vehicle (fig. 5). Keep the bolts for later reinstallation.





**Caution!!!** *Never work on a hot exhaust system. Serious injury in the form of burns can result if the vehicle has been in use and the exhaust system is hot, allow vehicle to cool for at least 1 hour. Always wear eye protection when working under any vehicle.*

**Note:** *It is our recommendation that you use a hoist or hydraulic lift to facilitate the installation of your new Borla Performance Exhaust System.*

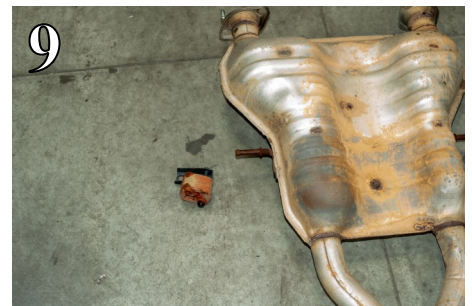
**Taking all under car safety precautions, lift the vehicle using a hoist or hydraulic lift. Once this has been done, you may begin the removal of your old exhaust system from your vehicle.**

**Note:** *Before removing the original exhaust system from your vehicle, please compare the parts you have received with the bill of materials provided on the previous page to assure that you have all the parts necessary for the installation of your new Borla Performance Exhaust System.*

**Note:** *With a used vehicle, we suggest a penetrating spray lubricant to be applied liberally to all exhaust fasteners and allowing a significant period of time for the chemical to lubricate the threads before attempting to disassemble.*

## Original Exhaust System Removal

7. 140836 only: loosen the clamp holding the R/H exhaust tip to the R/H rear muffler and remove the tip (fig. 6). Keep the tip and clamp for later reinstallation.
8. Remove the R/H rear muffler assembly hangers from the rubber isolators (fig. 7).
9. Using a muffler stand or an additional person, carefully remove the original exhaust from the vehicle (fig. 8).
10. Ensure that the rubber isolators and hangers are removed from the original exhaust system (fig. 9).
11. 140836 only: ensure that the exhaust tips are removed from the original system (fig. 10).



## Borla Performance Cat-Back™ Exhaust System Installation

1. Orient the components on floor referencing the drawing on page 2 or 3.
2. Reinstall the front hangers and rubber isolators onto the vehicle.
3. Raise the R/H Borla front muffler assembly to the vehicle and insert the hanger into the rubber isolator (fig. 11). Loosely install the hardware on the flanges, but do not tighten yet.
4. Repeat step 3 for the L/H Borla front muffler assembly (fig. 12).
5. Slide 2 clamps over the inlets of the Borla X-pipe assembly and connect it to the Borla front muffler assemblies (fig. 13). Do not tighten the clamps yet.
6. Tighten the hardware on the front flanges (fig. 14).
7. Tighten the clamps on the X-pipe assembly (fig. 15).

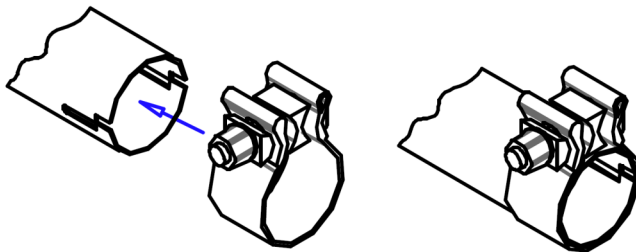


**WARNING:** Use extreme caution during installation. Torque all fasteners according to manufacturer's torque values and tightening sequence. **DO NOT** use air impact tools to tighten fasteners on Borla Performance Exhaust Systems. Use of such tools may result in bent flanges or gasket contact areas leading to exhaust leaks.

**NOTE:** When you first start your vehicle after the installation of your new Borla Performance Exhaust System, there may be some smoke and fumes coming from the system. This is a protective oil based coating used in the manufacturing of mandrel bent performance exhaust tubing. This is not a problem and will disappear within a very short period of time after the exhaust has reached normal operating temperatures.

## Borla Performance Cat-Back™ Exhaust System Installation

8. Place a clamp on the inlet of the L/H Borla rear muffler assembly and connect it to the outlet of the X-pipe. Insert the hangers into the rubber isolators (fig. 16).
9. Repeat step 8 for the Borla R/H rear muffler assembly (fig. 17).
10. Start at front flanges and move to the rear of vehicle. Tighten the flange bolt hardware to 10 ft. lbs. torque.
11. Orient position of bolt (on supplied clamps) between (not over) pipe notches and tighten nut to 35 ft. lbs. torque.
12. Align tip and tighten clamps. Loosen clamps to rotate or slide pipe for better alignment.
13. Before starting your vehicle, make sure to check all wires, hoses, brake lines, body parts and tires for safe clearance from the exhaust system.
14. Start vehicle and check for any leaks. If any leaks are found, determine cause (such as loose or incorrectly positioned clamp) and repair as necessary.



**WARNING:** Use extreme caution during installation. Torque all fasteners according to manufacturer's torque values and tightening sequence. **DO NOT** use air impact tools to tighten fasteners on Borla Performance Exhaust Systems. Use of such tools may result in bent flanges or gasket contact areas leading to exhaust leaks.

**NOTE:** When you first start your vehicle after the installation of your new Borla Performance Exhaust System, there may be some smoke and fumes coming from the system. This is a protective oil based coating used in the manufacturing of mandrel bent performance exhaust tubing. This is not a problem and will disappear within a very short period of time after the exhaust has reached normal operating temperatures.