

## Installation Guide for Dodge Durango SRT PNs 140791, 140791BC, 140792, 140792BC, 60694, 60695



**\*\*\*\*\* Please compare the parts in the box with the bill of materials provided \*\*\*\*\*  
to ensure that you have all the parts necessary for this installation.**

These instructions have been written to help you with the installation of your Borla Performance exhaust system. Please read this document completely before beginning the installation of your system.

Thank you for purchasing a Borla Performance Cat-Back™ exhaust system.

These Borla Performance Cat-Back™ exhaust systems (PNs 140791, 140791BC, 140792, 140792BC, 60694, 60695) are designed for the Dodge Durango SRT, equipped with a 6.4L V8 engine and AWD automatic transmission.

Borla Performance Industries recommends that an exhaust shop or professional after market parts installer, who has all the necessary equipment, tools and experienced personnel needed for proper installation, should perform the installation of this system. However, if you decide to perform the installation, we recommend someone should help you. Ensure the installer uses all under car safety precautions including eye protection.

*Please take time to read and understand the following...*

By installing your Borla Performance exhaust system, you indicate that you have read this document and you agree with the terms stated below.

It is the responsibility of the purchaser to follow all installation instruction guidelines and safety procedures supplied with your Borla Performance exhaust system.

Borla Performance Industries assumes no responsibility for damages occurring from misuse, abuse, improper installation, improper operation, lack of responsible care, or all previously stated reasons resulting from incompatibility with other manufacturer's products and/or systems.

Included with your Borla Performance exhaust system is a warranty card. Please read it carefully before you begin any work on your vehicle. If you should have any questions regarding our warranty policy, installation, or any other matter pertaining to your new Borla Performance exhaust system, please give us a call at the number provided on the warranty card.

**Minimum Required Tool List:**

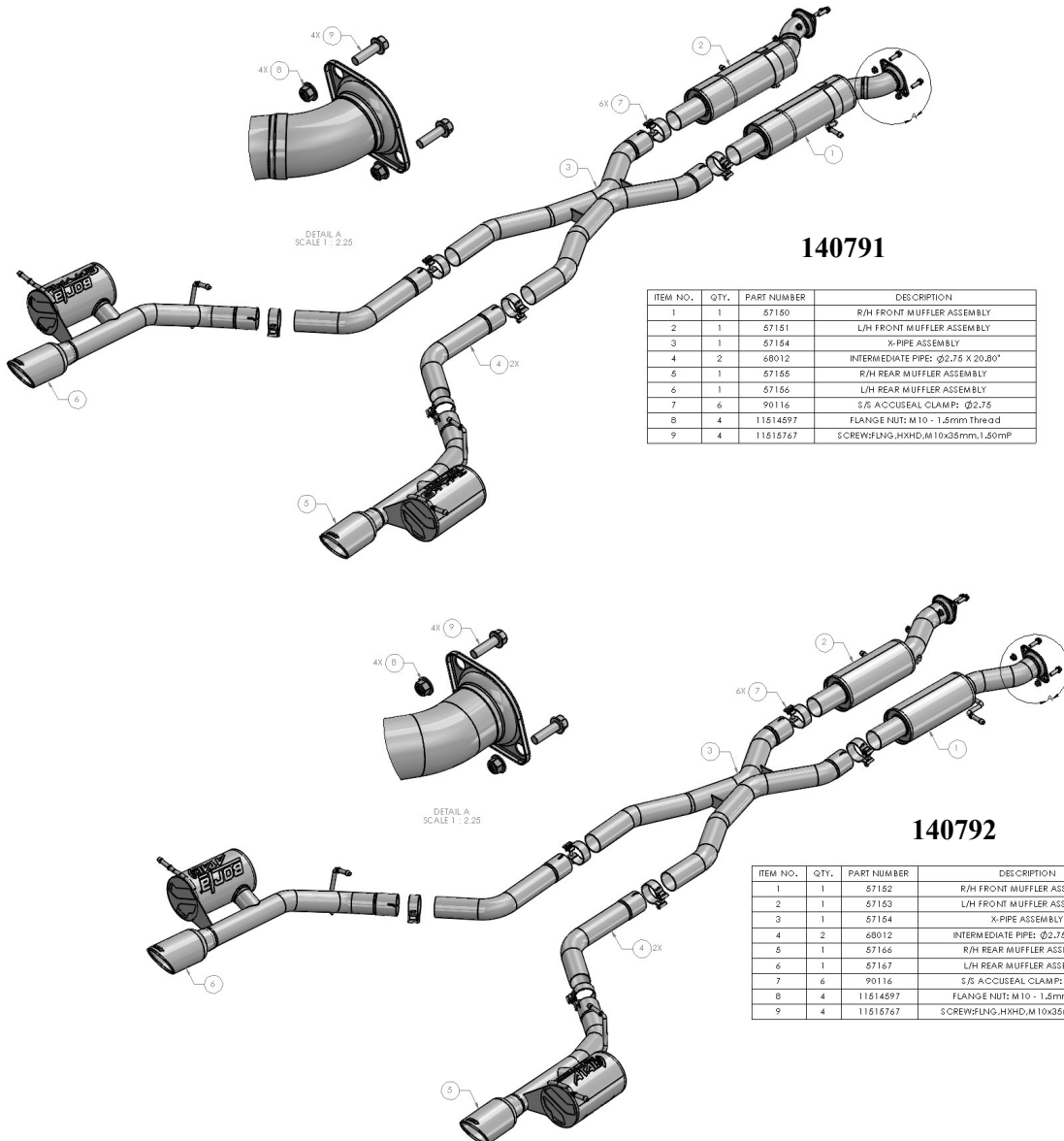
**TOOLS:**

1. 3/8" drive ratchet
2. 3/8" drive extension 6"
3. 17mm socket
4. 15mm deep well socket
5. 13mm socket
6. 17mm wrench
7. Pry bar

**SHOP SUPPLIES:**

1. Spray lubricant

**Borla Performance - Bill of Materials**

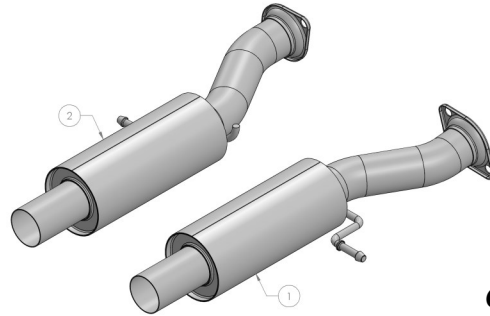


**140791**

ITEM NO.	QTY.	PART NUMBER	DESCRIPTION
1	1	57150	R/H FRONT MUFFLER ASSEMBLY
2	1	57151	L/H FRONT MUFFLER ASSEMBLY
3	1	57154	X-PIPE ASSEMBLY
4	2	68012	INTERMEDIATE PIPE: Ø2.75 X 20.80"
5	1	57155	R/H REAR MUFFLER ASSEMBLY
6	1	57156	L/H REAR MUFFLER ASSEMBLY
7	6	90116	S/S ACCUSSEAL CLAMP: Ø2.75
8	4	11614597	FLANGE NUT: M10 - 1.5mm Thread
9	4	11615767	SCREW:FLNG.HXHD;M10x25mm;1.50mP

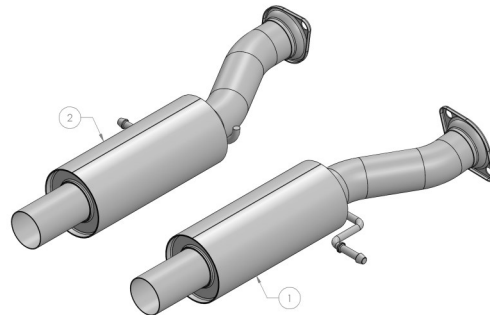
**140792**

ITEM NO.	QTY.	PART NUMBER	DESCRIPTION
1	1	57152	R/H FRONT MUFFLER ASSEMBLY
2	1	57153	L/H FRONT MUFFLER ASSEMBLY
3	1	57154	X-PIPE ASSEMBLY
4	2	68012	INTERMEDIATE PIPE: Ø2.75 X 20.80"
5	1	57156	R/H REAR MUFFLER ASSEMBLY
6	1	57157	L/H REAR MUFFLER ASSEMBLY
7	6	90116	S/S ACCUSSEAL CLAMP: Ø2.75
8	4	11614597	FLANGE NUT: M10 - 1.5mm Thread
9	4	11615767	SCREW:FLNG.HXHD;M10x25mm;1.50mP



**60694**

ITEM NO.	QTY.	PART NUMBER	DESCRIPTION
1	1	57152	R/H FRONT MUFFLER ASSEMBLY
2	1	57153	L/H FRONT MUFFLER ASSEMBLY



**60695**

ITEM NO.	QTY.	PART NUMBER	DESCRIPTION
1	1	57152	R/H FRONT MUFFLER ASSEMBLY
2	1	57153	L/H FRONT MUFFLER ASSEMBLY

**Caution!!!** *Never work on a hot exhaust system. Serious injury in the form of burns can result if the vehicle has been in use and the exhaust system is hot, allow vehicle to cool for at least 1 hour. Always wear eye protection when working under any vehicle.*

**Note:** *It is our recommendation that you use a hoist or hydraulic lift to facilitate the installation of your new Borla Performance Exhaust System.*

**Taking all under car safety precautions, lift the vehicle using a hoist or hydraulic lift. Once this has been done, you may begin the removal of your old exhaust system from your vehicle.**

**Note:** *Before removing the original exhaust system from your vehicle, please compare the parts you have received with the bill of materials provided on the previous page to assure that you have all the parts necessary for the installation of your new Borla Performance Exhaust System.*

**Note:** *With a used vehicle, we suggest a penetrating spray lubricant to be applied liberally to all exhaust fasteners and allowing a significant period of time for the chemical to lubricate the threads before attempting to disassemble.*

## Original Exhaust System Removal

1. Lubricate all hangers, rubber isolators, bolts and nuts.
2. Loosen the clamp nut holding the stock L/H rear muffler assembly to the stock exhaust system (fig. 1).
3. Remove the L/H rear muffler assembly from the vehicle (fig. 2).
4. Remove the R/H rear muffler assembly hanger from its rubber isolator, and unclip the ground wire (fig. 3).
5. Remove the L/H rear exhaust hanger from its rubber isolator (fig. 4).
6. Use a muffler stand or an additional person to support the stock exhaust system while you remove it from its supports (fig. 5).



**Caution!!!** *Never work on a hot exhaust system. Serious injury in the form of burns can result if the vehicle has been in use and the exhaust system is hot, allow vehicle to cool for at least 1 hour. Always wear eye protection when working under any vehicle.*

**Note:** *It is our recommendation that you use a hoist or hydraulic lift to facilitate the installation of your new Borla Performance Exhaust System.*

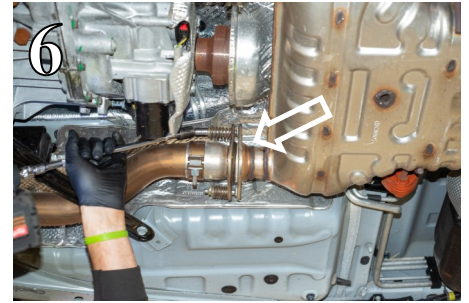
**Taking all under car safety precautions, lift the vehicle using a hoist or hydraulic lift. Once this has been done, you may begin the removal of your old exhaust system from your vehicle.**

**Note:** *Before removing the original exhaust system from your vehicle, please compare the parts you have received with the bill of materials provided on the previous page to assure that you have all the parts necessary for the installation of your new Borla Performance Exhaust System.*

**Note:** *With a used vehicle, we suggest a penetrating spray lubricant to be applied liberally to all exhaust fasteners and allowing a significant period of time for the chemical to lubricate the threads before attempting to disassemble.*

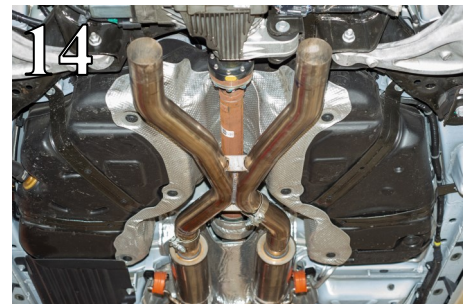
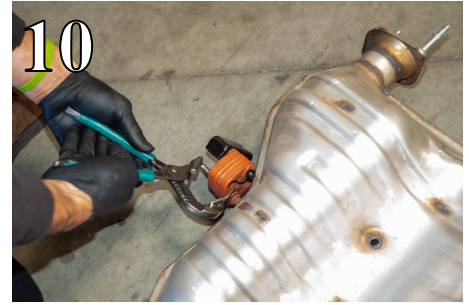
## Original Exhaust System Removal

7. Remove the nuts securing the front muffler assembly flanges to the vehicle (figs. 6 & 7). The nuts and springs will not be required for the installation of your Borla exhaust system.
8. Remove the bolts securing the front muffler assembly hanger brackets to the vehicle (fig 8). You will need to transfer the hanger brackets and the rubber isolator to the Borla exhaust system.
9. Using an additional person, carefully remove the original exhaust system from the vehicle (fig. 9).
10. Original exhaust system removed.



## Borla Performance Cat-Back™ Exhaust System Installation

1. Orient the components on shop floor according to the bill of materials drawing provided on page 2 or 3.
2. Remove the L/H and R/H front muffler assembly rubber isolators and hanger brackets from the original exhaust system (fig. 10).
3. Place the original rubber isolators and hanger brackets on the L/H and R/H Borla front muffler assemblies (fig. 11).
4. Put the L/H and R/H front muffler assemblies into place, using the original hardware for the hanger brackets and the provided hardware for the flanges (fig. 12).
5. Without fully tightening the hardware, put front muffler assemblies into place (fig. 13).
6. Slide two clamps over the inlets of the X-pipe assembly and connect it to the outlets of the front muffler assemblies (fig. 14). Do not tighten the clamps yet.

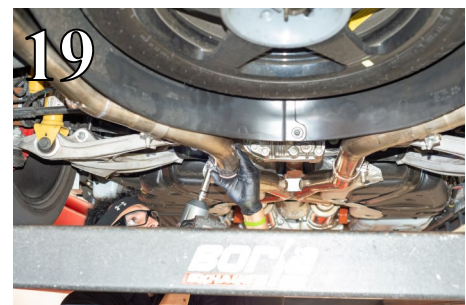


**WARNING:** Use extreme caution during installation. Torque all fasteners according to manufacturer's torque values and tightening sequence. **DO NOT** use air impact tools to tighten fasteners on Borla Performance Exhaust Systems. Use of such tools may result in bent flanges or gasket contact areas leading to exhaust leaks.

**NOTE:** When you first start your vehicle after the installation of your new Borla Performance Exhaust System, there may be some smoke and fumes coming from the system. This is a protective oil based coating used in the manufacturing of mandrel bent performance exhaust tubing. This is not a problem and will disappear within a very short period of time after the exhaust has reached normal operating temperatures.

## Borla Performance Cat-Back™ Exhaust System Installation Cont'd

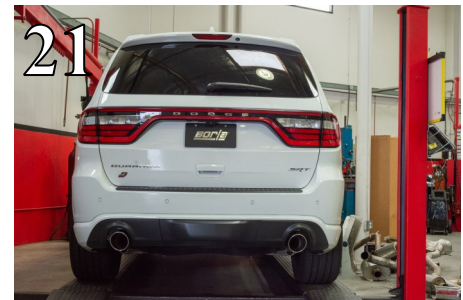
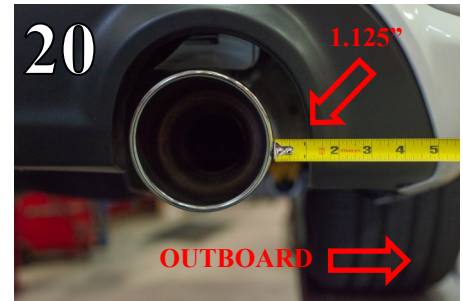
- Slide a clamp over the inlet of the L/H tailpipe assembly and connect it to the outlet of the X-pipe assembly (fig. 15). Do not tighten the clamp yet.
- Repeat step 7 for the R/H tailpipe assembly. (fig. 16).
- Connect the ground wire to the R/H tailpipe hanger (fig. 17).
- Tighten the L/H and R/H front muffler assembly hanger bracket bolts (fig. 18).



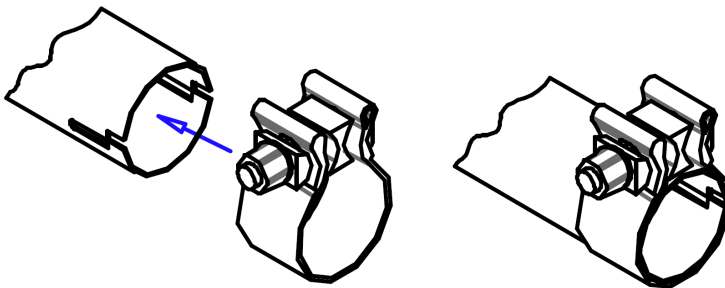
**WARNING:** Use extreme caution during installation. Torque all fasteners according to manufacturer's torque values and tightening sequence. **DO NOT** use air impact tools to tighten fasteners on Borla Performance Exhaust Systems. Use of such tools may result in bent flanges or gasket contact areas leading to exhaust leaks.

**NOTE:** When you first start your vehicle after the installation of your new Borla Performance Exhaust System, there may be some smoke and fumes coming from the system. This is a protective oil based coating used in the manufacturing of mandrel bent performance exhaust tubing. This is not a problem and will disappear within a very short period of time after the exhaust has reached normal operating temperatures.

## Borla Performance Cat-Back™ Exhaust System Installation Cont'd



18. Check your exhaust system for proper clearance under the vehicle and also for tip alignment. Starting at the front flanges and moving to the rear of vehicle, tighten the flange hardware/bolts. Orient the position of bolt (on supplied clamps) between (not over) pipe notches and tighten to 35 ft. lbs. torque.
19. Align tips and tighten hardware. Loosen clamps to rotate or slide pipe for better alignment.
- 20. Ensure correct distance (1.125") from the outboard lateral end of the valance cutout to the tip edge (fig. 21).**
21. Before starting your vehicle, make sure to check all wires, hoses, brake lines, body parts and tires for safe clearance from the exhaust system.
22. Start the vehicle and check for any leaks. If any leaks are found, determine cause (such as loose or incorrectly positioned clamp) and repair as necessary.



**WARNING:** Use extreme caution during installation. Torque all fasteners according to manufacturer's torque values and tightening sequence. **DO NOT** use air impact tools to tighten fasteners on Borla Performance Exhaust Systems. Use of such tools may result in bent flanges or gasket contact areas leading to exhaust leaks.

**NOTE:** When you first start your vehicle after the installation of your new Borla Performance Exhaust System, there may be some smoke and fumes coming from the system. This is a protective oil based coating used in the manufacturing of mandrel bent performance exhaust tubing. This is not a problem and will disappear within a very short period of time after the exhaust has reached normal operating temperatures.