

Toyota Corolla Hatchback Cat-Back Installation Guide PNs 140790, 60690



******* Please compare the parts in the box with the bill of materials provided *****
(view the following pages) to assure that you have all the parts necessary for this installation.**

These instructions have been written to help you with the installation of your Borla Performance System. Please read this document completely before beginning the installation of your system.

Thank you for purchasing a Borla Performance exhaust system.

This Borla Performance exhaust system (PN 140790) is designed for the Toyota Corolla Hatchback, equipped with a 2.0L naturally aspirated gasoline engine, FWD automatic or manual transmission.

Note: Borla Performance PN 60690 is designed only to work with PN 11961 as a complement. These two part numbers together will be functionally the same as 140790.

Borla Performance Industries recommends that an exhaust shop or professional after market parts installer, who has all the necessary equipment, tools and experienced personnel needed for proper installation, should perform the installation of this system. However, if you decide to perform the installation, we recommend someone should help you. Ensure the installer uses all under car safety precautions including eye protection.

Please take time to read and understand the following...

By installing your Borla Performance exhaust system, you indicate that you have read this document and you agree with the terms stated below.

It is the responsibility of the purchaser to follow all installation instruction guidelines and safety procedures supplied with your Borla Performance exhaust system.

Borla Performance Industries assumes no responsibility for damages occurring from misuse, abuse, improper installation, improper operation, lack of responsible care, or all previously stated reasons resulting from incompatibility with other manufacturer's products and/or systems.

Included with your Borla Performance exhaust system is a warranty card. Please read it carefully before you begin any work on your vehicle. If you should have any questions regarding our warranty policy, installation, or any other matter pertaining to your new Borla Performance exhaust system, please give us a call at the number provided on the warranty card.

Minimum Required Tool List:

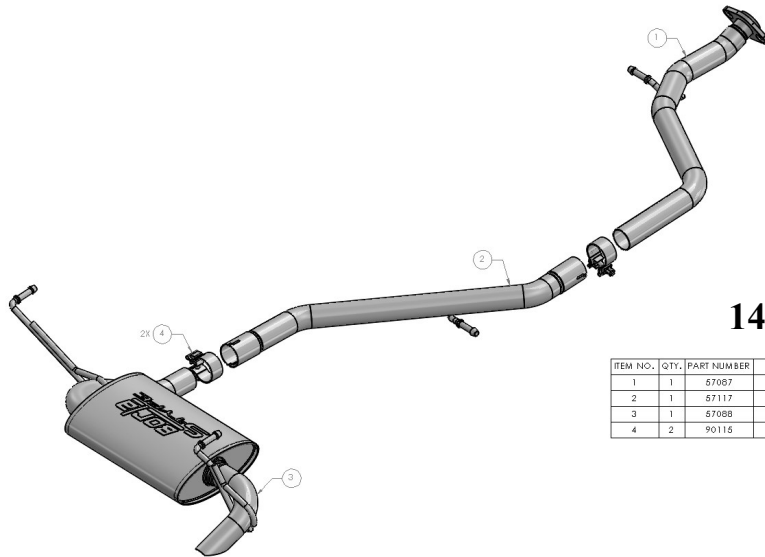
TOOLS:

1. 3/8" drive ratchet
2. 15mm socket
3. 14mm socket
4. Pry bar

SHOP SUPPLIES:

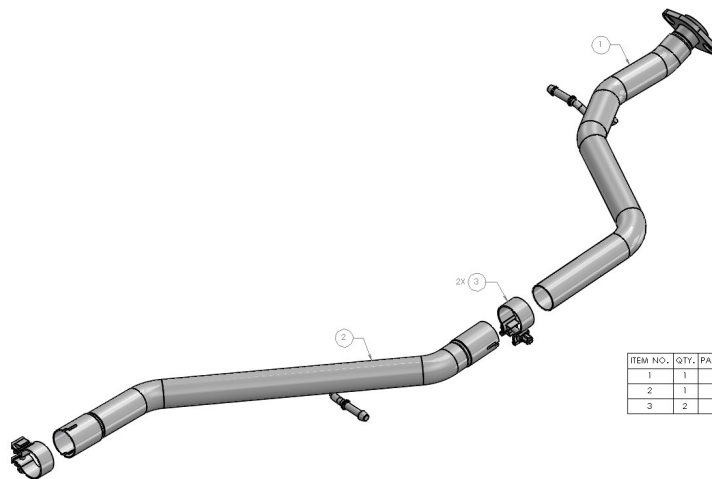
1. Spray lubricant

Borla Performance - Bill of Materials



140790

ITEM NO.	QTY.	PART NUMBER	DESCRIPTION
1	1	57087	FRONT PIPE ASSEMBLY
2	1	57117	MID PIPE ASSEMBLY
3	1	57088	MUFFLER ASSEMBLY
4	2	90115	S/S ACCUSAL CLAMP Ø2.00



60690

ITEM NO.	QTY.	PART NUMBER	DESCRIPTION
1	1	57087	FRONT PIPE ASSEMBLY
2	1	57117	MID PIPE ASSEMBLY
3	2	90115	S/S ACCUSAL CLAMP Ø2.00

Caution!!! *Never work on a hot exhaust system. Serious injury in the form of burns can result if the vehicle has been in use and the exhaust system is hot, allow vehicle to cool for at least 1 hour. Always wear eye protection when working under any vehicle.*

Note: *It is our recommendation that you use a hoist or hydraulic lift to facilitate the installation of your new Borla Performance Exhaust System.*

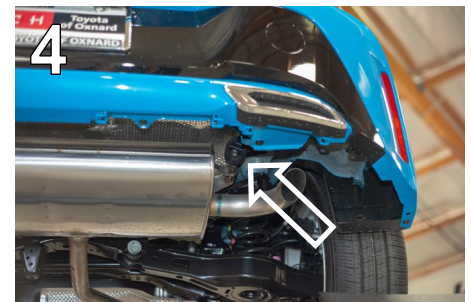
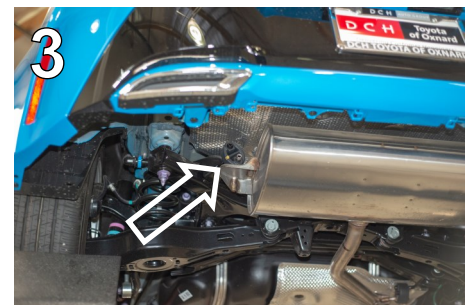
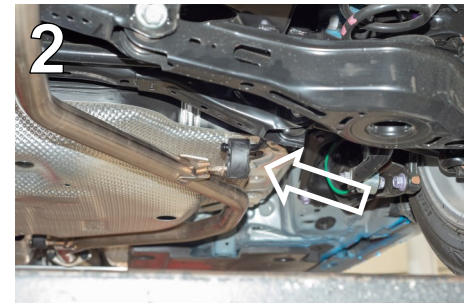
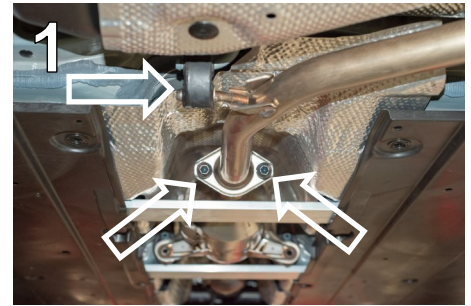
Taking all under car safety precautions, lift the vehicle using a hoist or hydraulic lift. Once this has been done, you may begin the removal of your old exhaust system from your vehicle.

Note: *Before removing the original exhaust system from your vehicle, please compare the parts you have received with the bill of materials provided on the previous page to assure that you have all the parts necessary for the installation of your new Borla Performance Exhaust System.*

Note: *With a used vehicle, we suggest a penetrating spray lubricant to be applied liberally to all exhaust fasteners and allowing a significant period of time for the chemical to lubricate the threads before attempting to disassemble.*

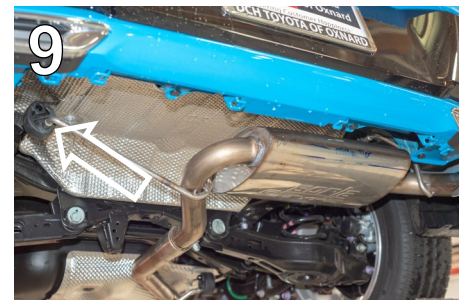
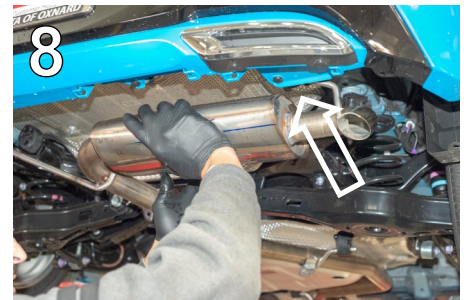
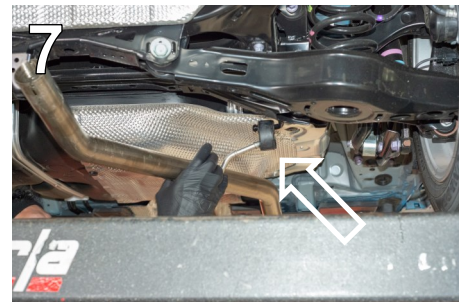
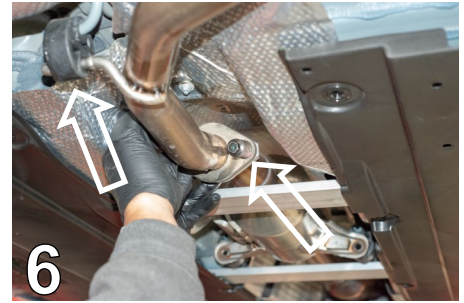
Original Exhaust System Removal

1. Lubricate all exhaust hangers, rubber isolators, and fasteners.
2. Remove hardware on front pipe flange (fig. 1). Keep for later reinstallation.
3. Remove front pipe hangers from rubber isolators (figs. 1, 2).
4. Remove muffler assembly hangers from rubber isolators (figs. 3, 4).
5. Using a muffler stand or additional person, carefully remove the stock exhaust from the vehicle (fig. 5).
6. Original exhaust system removed.



Borla Performance Cat-Back System Installation

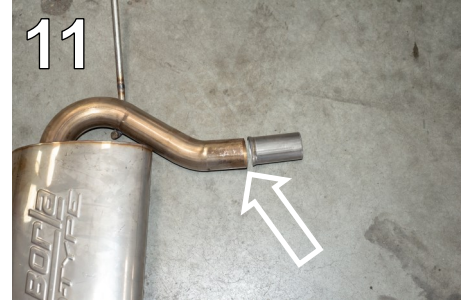
1. Orient the components on the shop floor according to the page-2 drawing.
2. Connect the front pipe to the flange, using original hardware (fig. 6).
3. Insert the front pipe hanger into the rubber isolator (fig. 6).
4. Slide a clamp over the inlet of the mid pipe and connect it to the front pipe.
5. Insert the mid pipe hanger into the rubber isolator (fig. 7).
6. Slide a clamp over the outlet of the mid pipe.
7. Connect the muffler assembly to the mid pipe.
8. Insert the muffler assembly hangers into the rubber isolators (figs. 8, 9).
9. Check your exhaust system for proper clearance under the vehicle (fig. 10).
10. Once position has been determined to be correct, tighten clamp bolt to 32-35 ft. lb.
11. Before starting your vehicle, make sure to check all wires, hoses, brake lines, body parts and tires for safe clearance from the exhaust system.
12. Start vehicle and check for any leaks. If any leaks are found, determine the cause (such as loose or incorrectly positioned clamp) and repair as necessary.



WARNING: Use extreme caution during installation. Torque all fasteners according to manufacturer's torque values and tightening sequence. **DO NOT** use air impact tools to tighten fasteners on Borla Performance exhaust systems. Use of such tools may result in bent flanges or gasket contact areas leading to exhaust leaks.

NOTE: When you first start your vehicle after the installation of your new Borla Performance exhaust system, there may be some smoke and fumes coming from the system. This is a protective oil based coating used in the manufacturing of mandrel bent performance exhaust tubing. This is not a problem and will disappear within a very short period of time after the exhaust has reached normal operating temperatures.

Borla Performance Front Pipe PN 60690 Installation



1. Make a cut on the inlet pipe of your Axle-Back exhaust (PN 11961) as shown (fig. 11).
2. Review this document from the beginning for installation of your Cat-Back exhaust.

WARNING: Use extreme caution during installation. Torque all fasteners according to manufacturer's torque values and tightening sequence. **DO NOT** use air impact tools to tighten fasteners on Borla Performance exhaust systems. Use of such tools may result in bent flanges or gasket contact areas leading to exhaust leaks.

NOTE: When you first start your vehicle after the installation of your new Borla Performance exhaust system, there may be some smoke and fumes coming from the system. This is a protective oil based coating used in the manufacturing of mandrel bent performance exhaust tubing. This is not a problem and will disappear within a very short period of time after the exhaust has reached normal operating temperatures.