

## Silverado/Sierra 2500 Installation PN 140762



**\*\*\*\*\* Please compare the parts in the box with the bill of materials provided \*\*\*\*\*  
(view the following pages) to assure that you have all the parts necessary for this installation.**

These instructions have been written to help you with the installation of your Borla Performance System. Please read this document completely before beginning the installation of your system.

**Thank you for purchasing a Borla Performance exhaust system.**

**This Borla Performance exhaust system (PN 140762) is designed for the Chevrolet Silverado/GM Sierra 2500, equipped with a 6.0L V8 gasoline engine, 2WD/4WD, automatic transmission.**

Borla Performance Industries recommends that an exhaust shop or professional after market parts installer, who has all the necessary equipment, tools and experienced personnel needed for proper installation, should perform the installation of this system. However, if you decide to perform the installation, we recommend someone should help you. Ensure the installer uses all under car safety precautions including eye protection.

*Please take time to read and understand the following...*

By installing your Borla Performance exhaust system, you indicate that you have read this document and you agree with the terms stated below.

It is the responsibility of the purchaser to follow all installation instruction guidelines and safety procedures supplied with your Borla Performance exhaust system.

Borla Performance Industries assumes no responsibility for damages occurring from misuse, abuse, improper installation, improper operation, lack of responsible care, or all previously stated reasons resulting from incompatibility with other manufacturer's products and/or systems.

Included with your Borla Performance exhaust system is a warranty card. Please read it carefully before you begin any work on your vehicle.

**Minimum Required Tool List:**

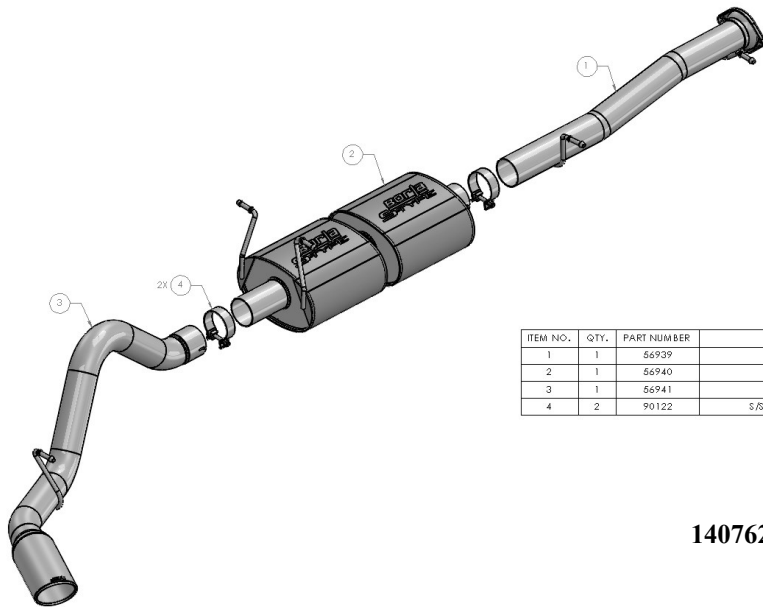
**TOOLS:**

1. 3/8" drive ratchet
2. 3/8" drive extension 3"
3. 15mm socket
4. 13mm socket
5. Pry bar

**SHOP SUPPLIES:**

1. Spray lubricant

**Borla Performance - Bill of Materials**



ITEM NO.	QTY.	PART NUMBER	DESCRIPTION
1	1	66939	FRONT PIPE ASSEMBLY
2	1	66940	MUFFLER ASSEMBLY
3	1	66941	TAILPIPE ASSEMBLY
4	2	90122	S/S ACCUSAL CLAMP Ø3.50

140762

**Caution!!!** *Never work on a hot exhaust system. Serious injury in the form of burns can result if the vehicle has been in use and the exhaust system is hot, allow vehicle to cool for at least 1 hour. Always wear eye protection when working under any vehicle.*

**Note:** *It is our recommendation that you use a hoist or hydraulic lift to facilitate the installation of your new Borla Performance Exhaust System.*

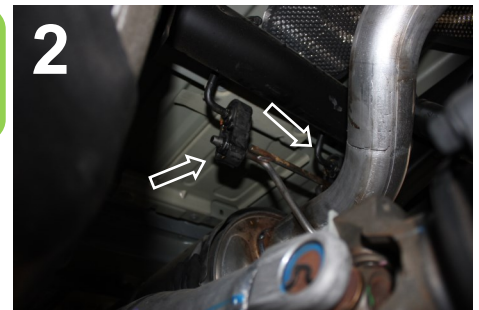
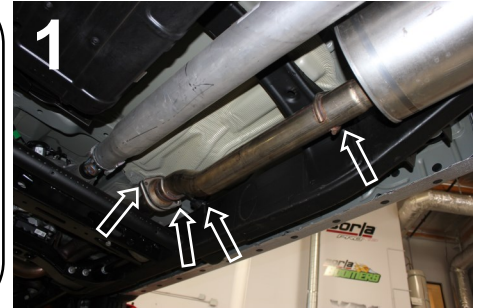
**Taking all under car safety precautions, lift the vehicle using a hoist or hydraulic lift. Once this has been done, you may begin the removal of your old exhaust system from your vehicle.**

**Note:** *Before removing the original exhaust system from your vehicle, please compare the parts you have received with the bill of materials provided on the previous page to assure that you have all the parts necessary for the installation of your new Borla Performance Exhaust System.*

**Note:** *With a used vehicle, we suggest a penetrating spray lubricant to be applied liberally to all exhaust fasteners and allowing a significant period of time for the chemical to lubricate the threads before attempting to disassemble.*

## Original Exhaust System Removal

1. Lubricate all exhaust hangers, rubber isolators, and fasteners.
2. Remove hardware on **front muffler assembly flange** and keep for later reinstallation (fig. 1).
3. Using a pry bar, remove **OE hangers** from OE rubber isolators (figs. 1, 2, 3).
4. Using a muffler stand or an additional person, carefully remove the OE exhaust from the vehicle (fig. 4).
5. OE exhaust removed (fig. 5).



## Borla Performance Cat-Back System Installation

1. Attach **front pipe assembly** inlet to the OE flange. Tighten the two (2) flange bolts on the **front pipe assembly** (fig. 6).
2. Insert front pipe hanger into OE rubber isolator (fig. 6).
3. Place a clamp over the outlet of the **front pipe assembly**.
4. Referencing the page-2 drawing for reference, place the inlet of the of the **muffler assembly** over the outlet of the **front pipe assembly** (fig. 7). Do not tighten the clamp.
5. Insert **muffler assembly hangers** into OE rubber isolators (fig. 7).
6. Place a clamp over the outlet of the **muffler assembly**.
7. Place the inlet of the **tailpipe assembly** over the outlet of the **muffler assembly** (fig. 8).
8. Insert **tailpipe assembly hanger** into OE rubber isolator.
9. Check your exhaust system for proper clearance under the vehicle.
10. Once position has been determined to be correct, tighten the hardware (starting at the front clamp and working to the rear clamp) tightening clamp bolts to 32-35 ft. lb. (fig. 9).
11. Before starting your vehicle, make sure to check all wires, hoses, brake lines, body parts and tires for safe clearance from the exhaust system.
12. Start vehicle and check for any leaks. If any leaks are found, determine cause (such as loose or incorrectly positioned clamp) and repair as necessary.



**WARNING:** Use extreme caution during installation. Torque all fasteners according to manufacturer's torque values and tightening sequence. **DO NOT** use air impact tools to tighten fasteners on Borla Performance Exhaust Systems. Use of such tools may result in bent flanges or gasket contact areas leading to exhaust leaks.

**NOTE:** When you first start your vehicle after the installation of your new Borla Performance Exhaust System, there may be some smoke and fumes coming from the system. This is a protective oil based coating used in the manufacturing of mandrel bent performance exhaust tubing. This is not a problem and will disappear within a very short period of time after the exhaust has reached normal operating temperatures.