

Exhaust System Installation for Audi A4 & A5 PNs 140315, 140733



******* Please compare the parts in the box with the bill of materials provided *****
to assure that you have all the parts necessary for this installation.**

These instructions have been written to help you with the installation of your Borla Performance Exhaust System. Please read this document completely before beginning the installation of your system.

Thank you for purchasing a Borla Performance Cat-Back™ Exhaust System.

Borla Performance Cat-Back™ Exhaust System (PN-140315) is designed for the Audi A4 2.0L 4-cylinder engine and automatic or manual transmission.

Borla Performance Cat-Back™ Exhaust System (PN-140733) is designed for the Audi A5 2.0L 4-cylinder engine and automatic or manual transmission.

Borla Performance Industries recommends that an exhaust shop or professional after market parts installer perform the installation of this system. However, if you decide to perform the installation on your own it is recommended that two people are used. This installation should not be performed by one person due to the risk of injury. Ensure the installers use all under car safety precautions including eye protection.

Please take time to read and understand the following...

By installing your Borla Performance Exhaust System, you indicate that you have read this document and you agree with the terms stated below.

It is the responsibility of the purchaser to follow all installation instruction guidelines and safety procedures supplied with your Borla Performance Exhaust System.

Borla Performance Industries assumes no responsibility for damages occurring from misuse, abuse, improper installation, improper operation, lack of responsible care, or all previously stated reasons resulting from incompatibility with other manufacturer's products and/or systems.

Minimum Required Tool List:

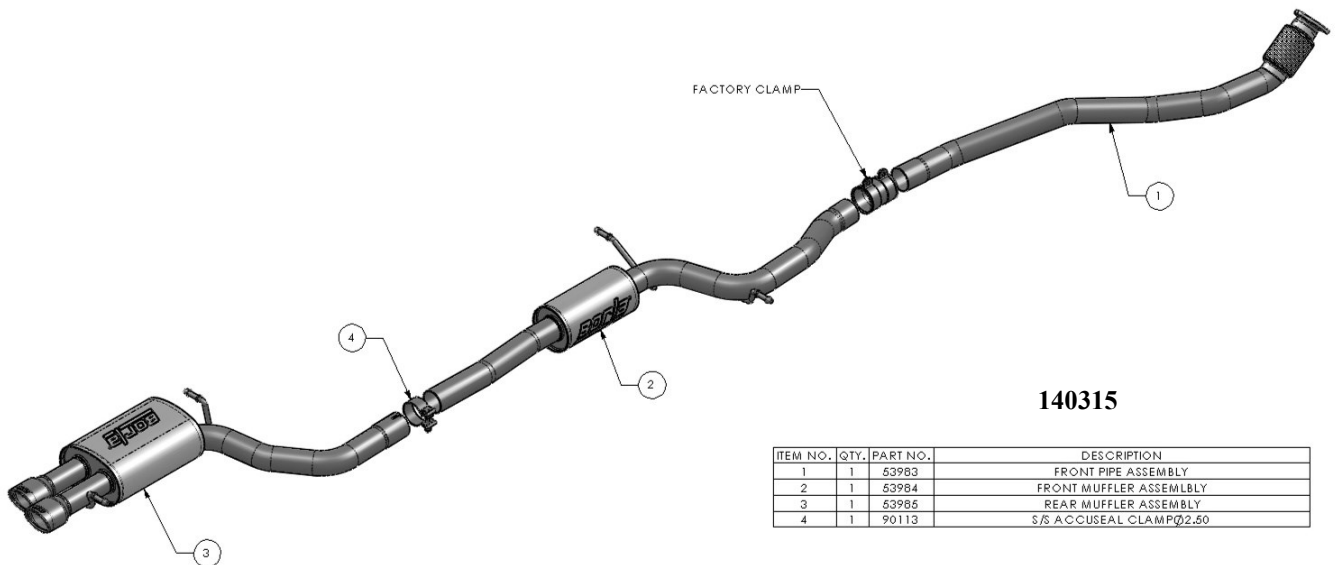
TOOLS:

1. 3/8" Drive Ratchet
2. 3/8" Drive Extension 3"
3. 10mm Socket
4. Torx socket
5. Pry Bar

SHOP SUPPLIES:

- 1 Spray Lubricant

Borla Performance Bill of Materials



ITEM NO.	QTY.	PART NO.	DESCRIPTION
1	1	53983	FRONT PIPE ASSEMBLY
2	1	53984	FRONT MUFFLER ASSEMBLY
3	1	53985	REAR MUFFLER ASSEMBLY
4	1	90113	S/S ACCUSEAL CLAMPØ2.50

Minimum Required Tool List:

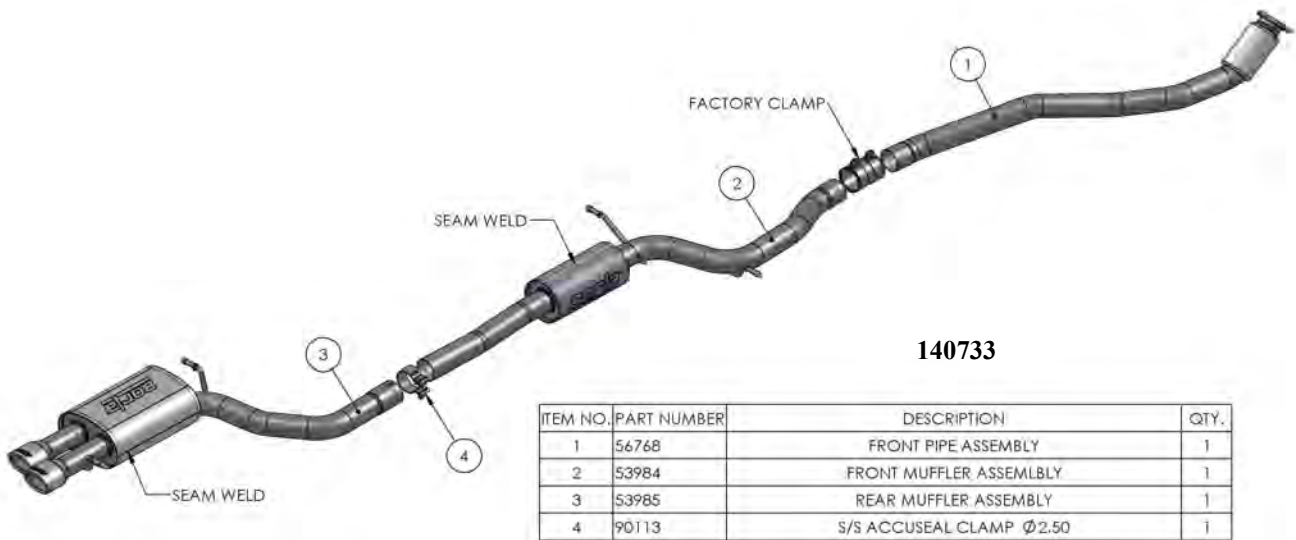
TOOLS:

1. 3/8" Drive Ratchet
2. 3/8" Drive Extension 3"
3. 10mm Socket
4. Torx socket
5. Pry Bar

SHOP SUPPLIES:

- 1 Spray Lubricant

Borla Performance Bill of Materials



ITEM NO.	PART NUMBER	DESCRIPTION	QTY.
1	56768	FRONT PIPE ASSEMBLY	1
2	53984	FRONT MUFFLER ASSEMBLY	1
3	53985	REAR MUFFLER ASSEMBLY	1
4	90113	S/S ACCUSEAL CLAMP Ø2.50	1

Caution!!! *Never work on a hot exhaust system. Serious injury in the form of burns can result if the vehicle has been in use and the exhaust system is hot, allow vehicle to cool for at least 1 hour. Always wear eye protection when working under any vehicle.*

Note: *It is our recommendation that you use a hoist or hydraulic lift to facilitate the installation of your new Borla Performance Exhaust System.*

Taking all under car safety precautions, lift the vehicle using a hoist or hydraulic lift. Once this has been done, you may begin the removal of your old exhaust system from your vehicle.

Note: *Before removing the original exhaust system from your vehicle, please compare the parts you have received with the bill of materials provided on the previous page to assure that you have all the parts necessary for the installation of your new Borla Performance Exhaust System.*

Note: *With a used vehicle, we suggest a penetrating spray lubricant to be applied liberally to all exhaust fasteners and allowing a significant period of time for the chemical to lubricate the threads before attempting to disassemble.*

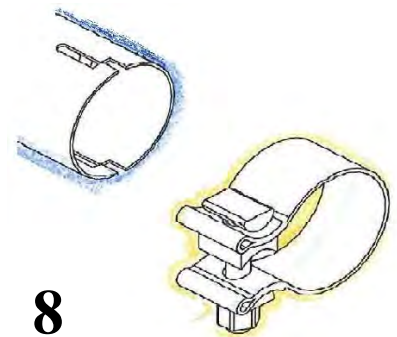
Original Exhaust System Removal

1. Loosen and remove front flange bolts. (See Fig.1)
2. Loosen factory clamp bolts and slide clamp rearward. (See Fig. 2) **DO NOT DISCARD** - this factory clamp will be used to install your new exhaust.
3. Support front pipe section with stand. Carefully remove rear muffler section from muffler hangers and remove from vehicle. Keep factory clamp. (See Fig. 3)
4. Carefully remove front muffler section from hangers and remove from vehicle. (See Fig. 4)



Borla Performance Cat-Back™ Exhaust System Installation

1. Install Front Pipe Assembly to factory flange using original hardware bolts. (See Fig. 5)
2. Place factory clamp over Front Pipe Assembly. Insert Front Muffler Assembly into clamp and insert hangers into rubber isolators. (See Fig. 6) Do not tighten clamp
3. Place provided clamp over expanded-end of Rear Muffler Assembly and insert pipe into Front Muffler Assembly. Insert hangers into rubber isolators. (See Fig. 7) Do not tighten clamp
4. Slide the Accuseal clamp over the notches and rotate the clamp-bolt 90-degrees from the notches. The clamp-bolt should be positioned between the notches. (See Fig. 8) Do not tighten this bolt. *NOTE: When properly clamped, the Accuseal pipe closes in a circular-shape with interlocking notches creating a proper seal. The pipe will distort or ovalize in shape if the clamp-bolt is positioned over the notches.*
5. Check your exhaust system for proper clearance under the vehicle and also for tip alignment. Once position has been determined to be correct, tighten the Accuseal™ clamp 32-35 ft. lbs. Tighten the OE clamp bolts. (See Figs. 9 & 10)
6. Start vehicle and check for any leaks. If any leaks are found, determine cause (such as loose or incorrectly positioned clamp) and repair as necessary.



WARNING: Use extreme caution during installation. Torque all fasteners according to manufacturer's torque values and tightening sequence. **DO NOT** use air impact tools to tighten fasteners on Borla Performance Exhaust Systems. Use of such tools may result in bent flanges or gasket contact areas leading to exhaust leaks.

NOTE: When you first start your vehicle after the installation of your new Borla Performance Exhaust System, there may be some smoke and fumes coming from the system. This is a protective oil based coating used in the manufacturing of mandrel bent performance exhaust tubing. This is not a problem and will disappear within a very short period of time after the exhaust has reached normal operating temperatures.