

Installation Guide for Ford Mustang GT

PNs 1014045, 1014045BC, 1014045CF, 1014046, 1014046BC, 1014046CF



******* Please compare the parts in the box with the bill of materials provided *****
to assure that you have all the parts necessary for this installation.**

These instructions have been written to help you with the installation of your Borla Performance exhaust system. Please read this document completely before beginning the installation of your system.

Thank you for purchasing a Borla Performance exhaust system.

These Borla Performance Cat-Back™ exhaust systems (PNs 1014045, 1014045BC, 1014045CF, 1014046, 1014046BC, 1014046CF) are designed for the Ford Mustang GT equipped with a 5.0L V8 engine, automatic or manual transmissions.

Borla Performance Industries recommends that an exhaust shop or professional after market parts installer, who has all the necessary equipment, tools and experienced personnel needed for proper installation, should perform the installation of this system. However, if you decide to perform the installation, we recommend someone should help you. Ensure the installer uses all under car safety precautions including eye protection.

Please take time to read and understand the following...

By installing your Borla Performance exhaust system, you indicate that you have read this document and you agree with the terms stated below.

It is the responsibility of the purchaser to follow all installation instruction guidelines and safety procedures supplied with your Borla Performance exhaust system.

Borla Performance Industries assumes no responsibility for damages occurring from misuse, abuse, improper installation, improper operation, lack of responsible care, or all previously stated reasons resulting from incompatibility with other manufacturer's products and/or systems.

Included with your Borla Performance exhaust system is a warranty card. Please read it carefully before you begin any work on your vehicle. If you should have any questions regarding our warranty policy, installation, or any other matter pertaining to your new Borla Performance exhaust system, please give us a call at the number provided on the warranty card.

Minimum Required Tool List:

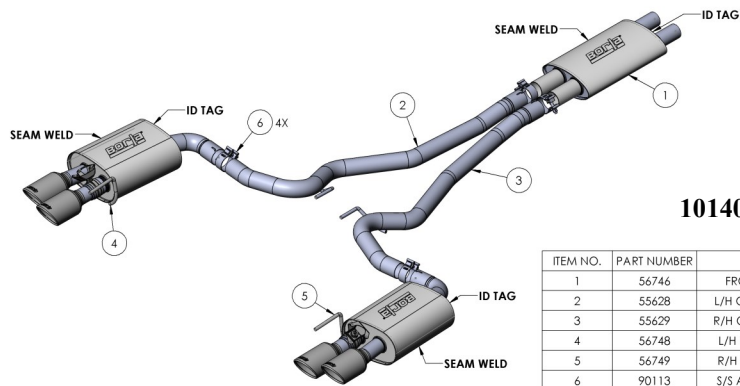
TOOLS:

1. 3/8" drive ratchet
2. 3/8" drive extension 3"
3. 15mm deep well socket
4. 13mm socket
5. Pry bar

SHOP SUPPLIES:

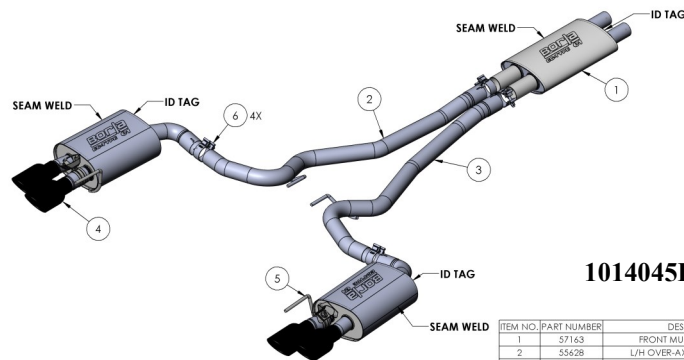
1. Spray lubricant

Borla Performance - Bill of Materials



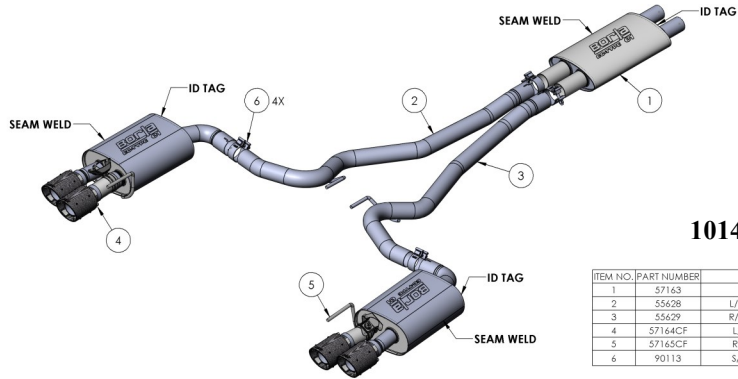
1014045

ITEM NO.	PART NUMBER	DESCRIPTION	QTY.
1	56746	FRONT MUFFLER ASSEMBLY	1
2	55628	L/H OVER-AXLE PIPE ASSEMBLY	1
3	55629	R/H OVER-AXLE PIPE ASSEMBLY	1
4	56748	L/H REAR MUFFLER ASSEMBLY	1
5	56749	R/H REAR MUFFLER ASSEMBLY	1
6	90113	S/S ACCUSEAL CLAMP Ø2.50	4



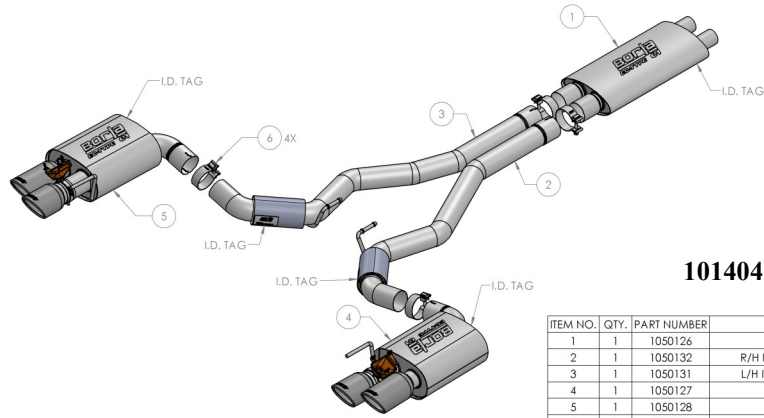
1014045BC

ITEM NO.	PART NUMBER	DESCRIPTION	QTY.
1	57163	FRONT MUFFLER ASSEMBLY	1
2	55628	L/H OVER-AXLE PIPE ASSEMBLY	1
3	55629	R/H OVER-AXLE PIPE ASSEMBLY	1
4	57164BC	L/H REAR MUFFLER ASSEMBLY	1
5	57165BC	R/H REAR MUFFLER ASSEMBLY	1
6	90113	S/S ACCUSEAL CLAMP Ø2.50	4



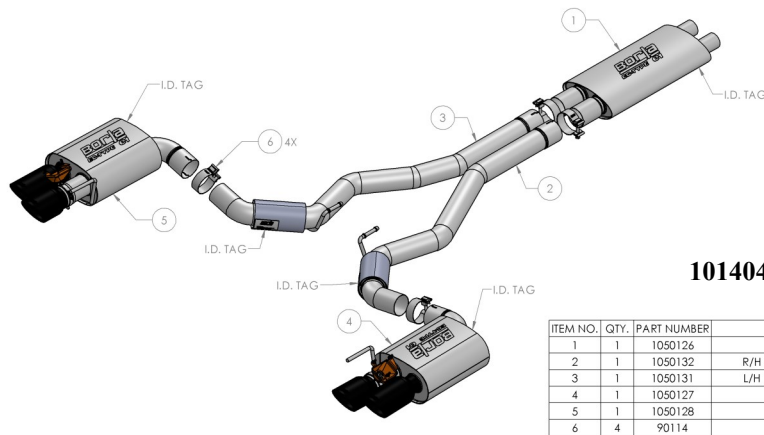
1014045CF

ITEM NO.	PART NUMBER	DESCRIPTION	QTY.
1	57163	FRONT MUFFLER ASSEMBLY	1
2	55628	L/H OVER-AXLE PIPE ASSEMBLY	1
3	55629	R/H OVER-AXLE PIPE ASSEMBLY	1
4	57164CF	L/H REAR MUFFLER ASSEMBLY	1
5	57165CF	R/H REAR MUFFLER ASSEMBLY	1
6	90113	S/S ACCUSEAL CLAMP Ø2.50	4



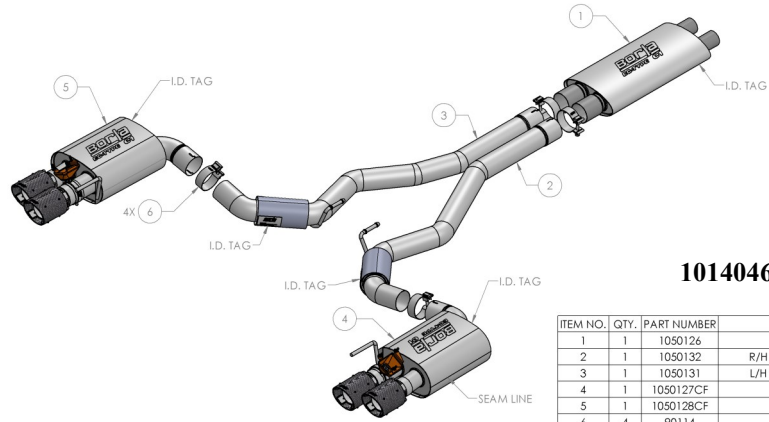
1014046

ITEM NO.	QTY.	PART NUMBER	DESCRIPTION
1	1	1050126	MUFFLER ASSEMBLY
2	1	1050132	R/H INTERMEDIATE PIPE ASSEMBLY
3	1	1050131	L/H INTERMEDIATE PIPE ASSEMBLY
4	1	1050127	R/H MUFFLER ASSEMBLY
5	1	1050128	L/H MUFFLER ASSEMBLY
6	4	90114	3.00 ACCUSEAL CLAMP



1014046BC

ITEM NO.	QTY.	PART NUMBER	DESCRIPTION
1	1	1050126	MUFFLER ASSEMBLY
2	1	1050132	R/H INTERMEDIATE PIPE ASSEMBLY
3	1	1050131	L/H INTERMEDIATE PIPE ASSEMBLY
4	1	1050127	R/H MUFFLER ASSEMBLY
5	1	1050128	L/H MUFFLER ASSEMBLY
6	4	90114	3.00 ACCUSEAL CLAMP



1014046CF

ITEM NO.	QTY.	PART NUMBER	DESCRIPTION
1	1	1050126	MUFFLER ASSEMBLY
2	1	1050132	R/H INTERMEDIATE PIPE ASSEMBLY
3	1	1050131	L/H INTERMEDIATE PIPE ASSEMBLY
4	1	1050127CF	R/H MUFFLER ASSEMBLY
5	1	1050128CF	L/H MUFFLER ASSEMBLY
6	4	90114	3.00 ACCUSEAL CLAMP

Caution!!! *Never work on a hot exhaust system. Serious injury in the form of burns can result. If the vehicle has been in use and the exhaust system is hot, allow vehicle to cool for at least 1 hour. Always wear eye protection when working under any vehicle.*

Note: *It is our recommendation that you use a hoist or hydraulic lift to facilitate the installation of your new Borla Performance exhaust system.*

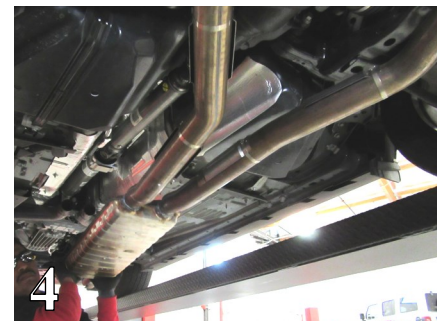
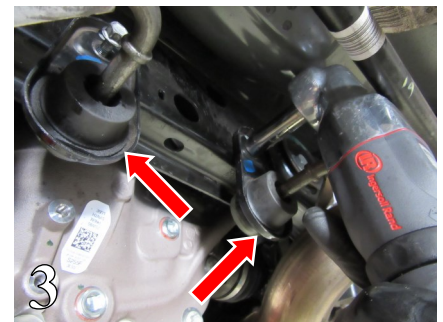
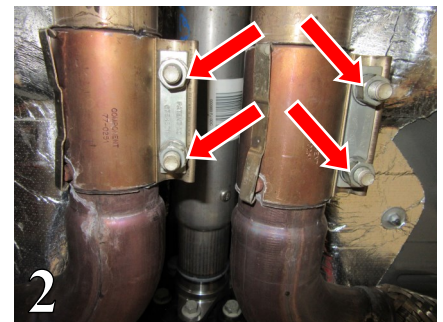
Taking all under car safety precautions, lift the vehicle using a hoist or hydraulic lift. Once this has been done, you may begin the removal of your old exhaust system from your vehicle.

Note: *Before removing the original exhaust system from your vehicle, please compare the parts you have received with the bill of materials provided on the previous page to assure that you have all the parts necessary for the installation of your new Borla Performance exhaust system.*

Note: *With a used vehicle, we suggest a penetrating spray lubricant to be applied liberally to all exhaust fasteners and allowing a significant period of time for the chemical to lubricate the threads before attempting to disassemble.*

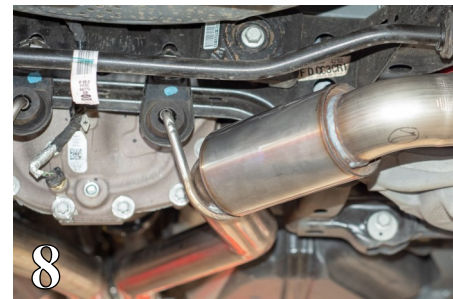
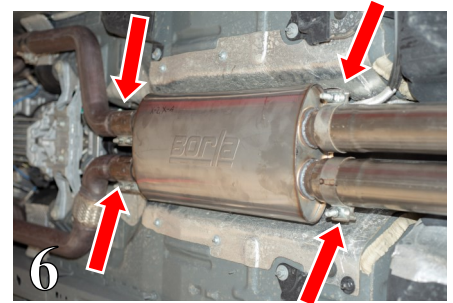
Original Exhaust System Removal

1. Disconnect the left and right side wire harness on the tailpipes by pulling the pin and sliding it out from the electrical assembly (fig. 1).
2. Beginning on the vehicle's left side, use a flat blade screwdriver to pull the clip to disengage it from the pipe (fig. 2).
3. Repeat step 2 for the vehicle right-side. Loosen the 4 clamp fasteners and retain the original clamps for re-installation.
4. Loosen the 2 factory bolts on both rear left-side and right-side rubber brackets. Leave the rubber isolator assemblies on the muffler hangers (fig. 3).
5. Using a muffler stand or an additional person, hold the muffler assembly in position, and carefully remove from vehicle (fig. 4).
6. Factory exhaust system removed (fig. 5).



Borla Performance Cat-Back™ Exhaust System Installation

1. Orient the components on the shop floor referencing the page-2 drawing.
2. Install the factory band clamps onto the stock front pipes and place band clamps on the outlet of the **front resonator**.
3. Install the **front resonator** onto the vehicle. Verify clamp position (fig. 6). Do not tighten the clamps yet.
4. Transfer both rubber isolators from factory exhaust to the **intermediate pipes** noting the correct orientation (fig. 7).
5. Install the **R/H intermediate pipe assembly** inserting the hanger into the rubber isolator (fig. 8). Hand-thread the bolt in, but do not tighten it yet.
6. REPEAT STEP 5 for the **L/H intermediate pipe assembly**.



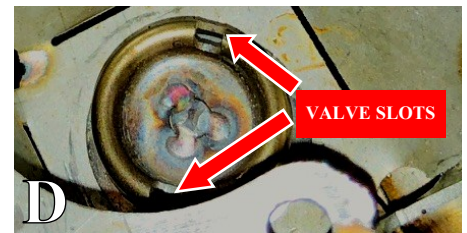
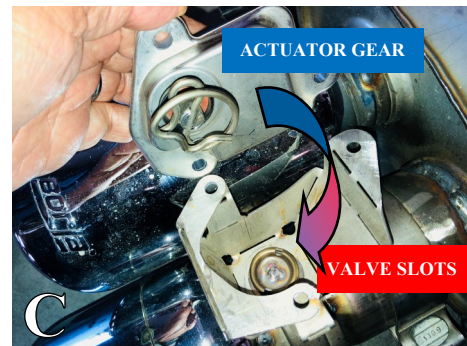
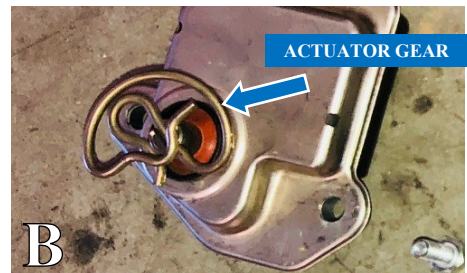
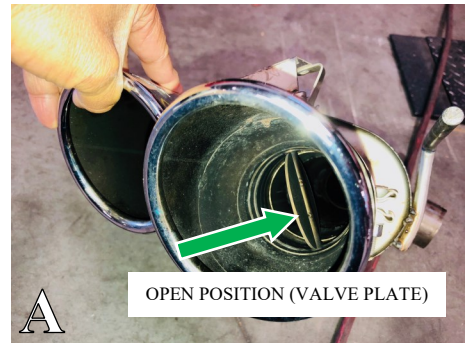
WARNING: Use extreme caution during installation. Torque all fasteners according to manufacturer's torque values and tightening sequence. **DO NOT** use air impact tools to tighten fasteners on Borla Performance exhaust systems. Use of such tools may result in bent flanges or gasket contact areas leading to exhaust leaks.

NOTE: When you first start your vehicle after the installation of your new Borla Performance exhaust system, there may be some smoke and fumes coming from the system. This is a protective oil based coating used in the manufacturing of mandrel bent performance exhaust tubing. This is not a problem and will disappear within a very short period of time after the exhaust has reached normal operating temperatures.

Borla Performance Cat-Back™ Exhaust System Installation (Cont'd)

NOTE: The actuator gear on the electronic actuator needs to be aligned to the valve slot for proper engagement. Improper function of the valves, a CEL, or damage can occur if these aren't aligned.

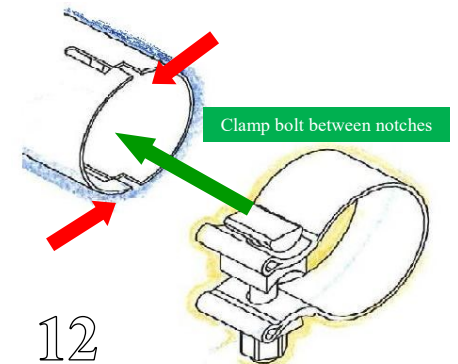
- A. The valve plate needs to be in the open position (please rotate valve prior to mounting the factory actuator to **R/H muffler assembly** (fig. A).
- B. Orient the actuator gear to the valve slot then position factory actuator bolt holes. Reuse the 3 factory bolt/washer/nut assemblies in securing the factory actuator to the **muffler assembly** (figs. B, C, D).
- C. Verify the alignment of the actuator gear to the valve slot. Tighten the nut/bolt assemblies to 8-9 ft. lb. torque. (See Fig. E)
- D. REPEAT STEPS A, B, & C for the **L/H muffler assembly** factory actuator installation.



WARNING: Use extreme caution during installation. Torque all fasteners according to manufacturer's torque values and tightening sequence. **DO NOT** use air impact tools to tighten fasteners on Borla Performance exhaust systems. Use of such tools may result in bent flanges or gasket contact areas leading to exhaust leaks.

NOTE: When you first start your vehicle after the installation of your new Borla Performance exhaust system, there may be some smoke and fumes coming from the system. This is a protective oil based coating used in the manufacturing of mandrel bent performance exhaust tubing. This is not a problem and will disappear within a very short period of time after the exhaust has reached normal operating temperatures.

Borla Performance Cat-Back™ Exhaust System Installation (Cont'd)



7. Reconnect the valve actuator wire harness to the **R/H muffler assembly** (fig. 9).
8. Starting on the left side of the vehicle, place a clamp on the **R/H muffler assembly** inlet pipe and connect the inlet pipe into the **R/H intermediate pipe assembly**. Insert the hanger into the rear rubber isolator (fig. 10). Do not tighten the clamps.
9. Repeat steps 7 and 8 for the vehicle **L/H muffler assembly**. Do not tighten the clamps.
10. Check your exhaust system for proper clearance under the vehicle and also for tip alignment (fig. 11).
11. Starting at front flanges and moving to rear of vehicle, tighten flange hardware bolts. Orient position of bolt (on supplied clamps) between (not over) pipe notches and tighten to 35 ft. lbs. torque (fig. 12).
12. Before starting your vehicle, make sure to check all wires, hoses, brake lines, body parts and tires for safe clearance from the exhaust system.
13. Start vehicle and check for any leaks. If any leaks are found, determine cause (such as loose or incorrectly positioned clamp) and repair as necessary.

WARNING: Use extreme caution during installation. Torque all fasteners according to manufacturer's torque values and tightening sequence. **DO NOT** use air impact tools to tighten fasteners on Borla Performance exhaust systems. Use of such tools may result in bent flanges or gasket contact areas leading to exhaust leaks.

NOTE: When you first start your vehicle after the installation of your new Borla Performance exhaust system, there may be some smoke and fumes coming from the system. This is a protective oil based coating used in the manufacturing of mandrel bent performance exhaust tubing. This is not a problem and will disappear within a very short period of time after the exhaust has reached normal operating temperatures.