

Single-Tip Exhaust System Installation Instructions PN-140461 (4-door) , 140462 (2-door)



Thank you for purchasing a Borla Performance Cat-Back™ Exhaust System.

These Borla Performance Cat-Back™ Exhaust Systems (140461, 140462) are designed for the Jeep Wrangler equipped with a 3.6L V6 engine, 4-wheel drive and automatic transmission.

Borla Performance Industries recommends that an exhaust shop or professional after market parts installer perform the installation of this system. However, if you decide to perform the installation on your own it is recommended that two people are used. This installation should not be performed by one person due to the risk of injury. Ensure the installers use all under car safety precautions including eye protection.

Please take time to read and understand the following...

By installing your Borla Performance Exhaust System, you indicate that you have read this document and you agree with the terms stated below.

It is the responsibility of the purchaser to follow all installation instruction guidelines and safety procedures supplied with your Borla Performance Exhaust System

Borla Performance Industries assumes no responsibility for damages occurring from misuse, abuse, improper installation, improper operation, lack of responsible care, or all previously stated reasons resulting from incompatibility with other manufacturer's products and/or systems.

Minimum Required Tool List:

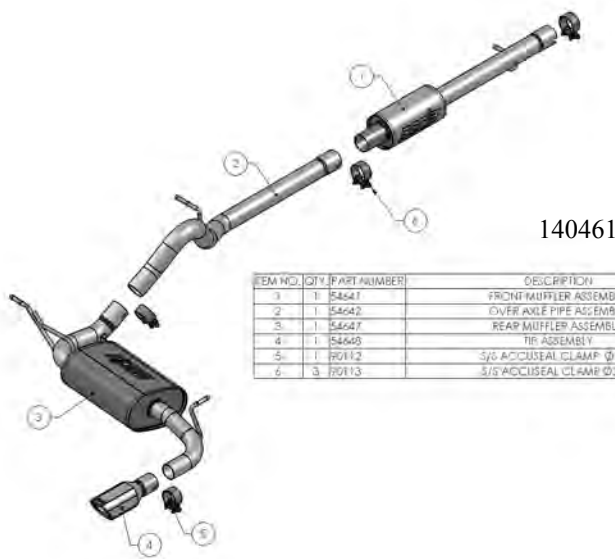
TOOLS:

1. 3/8” Drive Ratchet
2. 3/8” Drive Extension 3”
3. 15mm Deep Well Socket
4. Pry Bar

SHOP SUPPLIES:

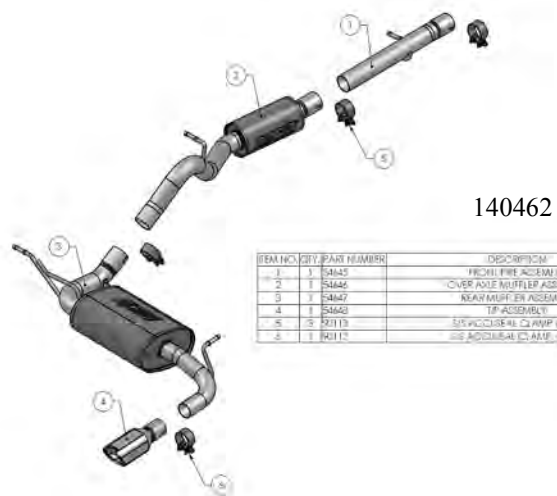
- 1 Spray Lubricant

Borla Performance Cat-back™ - Bill of Materials



140461

ITEM NO.	QTY	PART NUMBER	DESCRIPTION
1	1	54541	FRONT MUFFLER ASSEMBLY
2	1	54542	DRIVER SIDE PIPE ASSEMBLY
3	1	54543	REAR MUFFLER ASSEMBLY
4	1	54544	TIP ASSEMBLY
5	1	70112	3/8" ACQUSEAL CLAMP Ø2.25
6	3	70113	3/8" ACQUSEAL CLAMP Ø2.50



140462

ITEM NO.	QTY	PART NUMBER	DESCRIPTION
1	1	54645	FRONT PIPE ASSEMBLY
2	1	54646	DRIVER SIDE PIPE ASSEMBLY
3	1	54647	REAR MUFFLER ASSEMBLY
4	1	54648	TIP ASSEMBLY
5	2	70113	3/8" ACQUSEAL CLAMP Ø2.50
6	1	70112	3/8" ACQUSEAL CLAMP Ø2.25

Caution!!! *Never work on a hot exhaust system. Serious injury in the form of burns can result* If the vehicle has been in use and the exhaust system is hot, allow vehicle to cool for at least 1 hour. Always wear eye protection when working under any vehicle.

Note: It is our recommendation that you use a hoist or hydraulic lift to facilitate the installation of your new Borla Performance Rear Section Exhaust System.

Taking all under car safety precautions, lift the vehicle using a hoist or hydraulic lift. Once this has been done, you may begin the removal of your old exhaust system from your vehicle.

Note: Before removing the original exhaust system from your vehicle, please compare the parts you have received with the bill of materials provided on the previous page to assure that you have all the parts necessary for the installation of your new Borla Performance Rear Section Exhaust System.

Original Exhaust System Removal

Note: With a used vehicle, we suggest a penetrating spray lubricant to be applied liberally to all exhaust fasteners and allowing a significant period of time for the chemical to lubricate the threads before attempting to disassemble.

1. Loosen the clamp located just before the muffler assembly. (See Fig. 1)
2. Lubricate all the hangers and rubber isolators.
3. Using a muffler stand or an additional person to hold the muffler assembly up in place, remove the hangers from the rubber isolators and remove the muffler assembly from the vehicle. (See Fig. 2)
4. Unbolt the clamp located just after the y-pipe. (See Fig. 3)
5. Using a muffler stand or an additional person to hold the front pipe assembly in position, remove the hanger from the rubber isolator and remove the front pipe from the vehicle. (See Fig. 4)

Warning: Use extreme caution during installation. Torque all fasteners according to manufacturer's torque values and tightening sequence. **DO NOT** use air impact tools to tighten fasteners on Borla Performance Exhaust Systems. Use of such tools may result in bent flanges or gasket contact areas leading to exhaust leaks.



Figure 1



Figure 2



Figure 3

Borla Performance Cat-Back Exhaust System Installation

1. Place a clamp over the expanded end of the over axle pipe assembly and set it into position making sure to install the hanger into the rubber isolator. Do Not tighten the clamp. (See Fig. 5)
2. Place a clamp over the expanded end of the muffler assembly and set it into position making sure to install the hangers into the rubber isolators. Do Not tighten the clamp. (See Fig. 6)
3. Place a clamp over the expanded ends of the tip assemblies and set them into position. (See Fig. 6) Do Not tighten the clamps.
4. Check your exhaust system for proper clearance under the vehicle and also for tip alignment.
5. Once position has been determined to be correct, tighten the Accuseal™ clamps to 32-35 ft. lbs. making sure the clamp opening is not over any of the notches in the pipe.
6. Before starting your vehicle, make sure to check all wires, hoses, brake lines, body parts and tires for safe clearance from the exhaust system.
7. Start vehicle and check for any leaks. If any leaks are found, determine cause (such as loose hardware or incorrectly positioned clamp) and repair as necessary.

Note: When you first start your vehicle after the installation of your new Borla Performance Exhaust System, there may be some smoke and fumes coming from the system. This is a protective oil based coating used in the manufacturing of mandrel bent performance exhaust tubing. This is not a problem and will disappear within a very short period of time after the exhaust has reached normal operating temperatures.



Figure 4



Figure 5



Figure 6