

Exhaust System Installation For Ford Mustang GT



Thank you for purchasing a Borla Performance Rear Section Exhaust System.

This Borla Performance Rear Section Exhaust System (Part number 11750 11806) is designed for the Ford Mustang GT equipped with a 4.6L V-8 engine and automatic or manual transmissions.

Borla Performance Industries recommends that an exhaust shop or professional after market parts installer, who has all the necessary equipment, tools and experienced personnel needed for proper installation, should perform the installation of this system. However, if you decide to perform the installation, we recommend someone should help you. Ensure the installer uses all under car safety precautions including eye protection.

Please take time to read and understand the following...

By installing your Borla Performance Exhaust System, you indicate that you have read this document and you agree with the terms stated below.

It is the responsibility of the purchaser to follow all installation instruction guidelines and safety procedures supplied with your Borla Performance Exhaust System

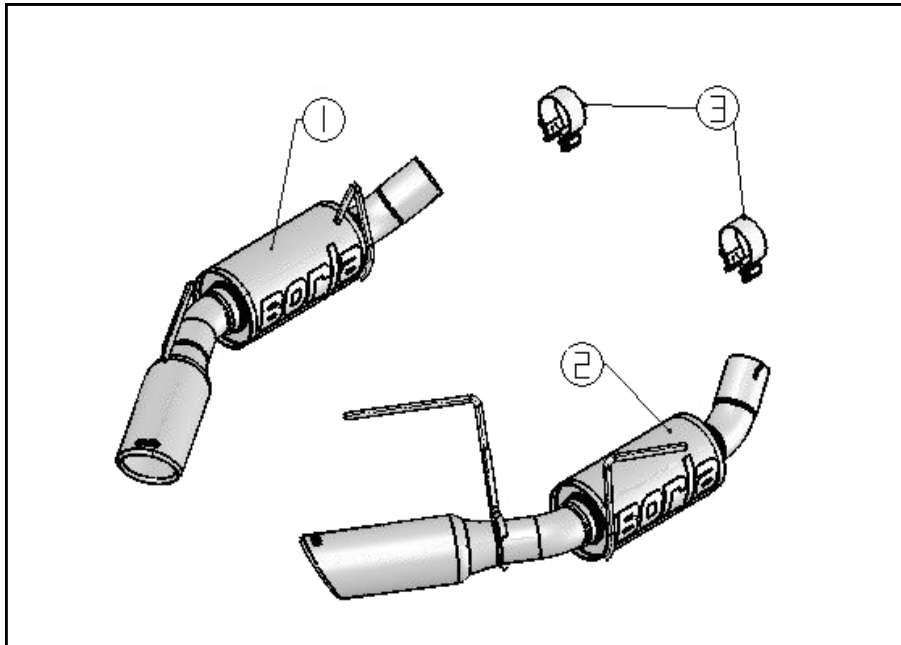
Borla Performance Industries assumes no responsibility for damages occurring from misuse, abuse, improper installation, improper operation, lack of responsible care, or all previously stated reasons resulting from incompatibility with other manufacturer's products and/or systems.

Minimum Required Tool List:**TOOLS:**

- 1 3/8" Drive Ratchet
- 2 3/8" Drive Extension 3"
- 3 15mm Deep Well Socket
- 5 Pry Bar

SHOP SUPPLIES:

- 1 Spray Lubricant

Borla Performance Rear Section Bill of Materials

1. Left muffler assembly
2. Right muffler assembly
3. 2.50" clamp (qty 2)

Caution!!! Never work on a hot exhaust system. Serious injury in the form of burns can result If the vehicle has been in use and the exhaust system is hot, allow vehicle to cool for at least 1 hour. Always wear eye protection when working under any vehicle.

Note: It is our recommendation that you use a hoist or hydraulic lift to facilitate the installation of your new Borla Performance Rear Section Exhaust System.

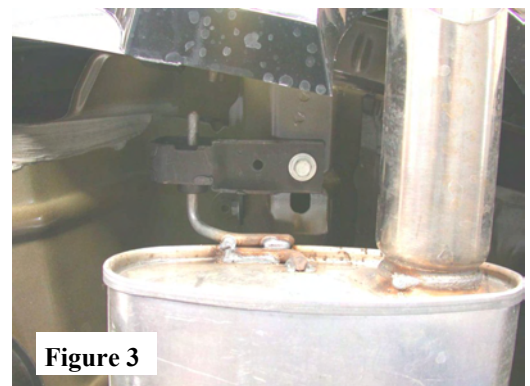
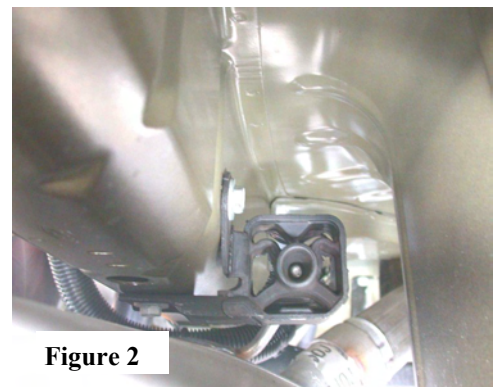
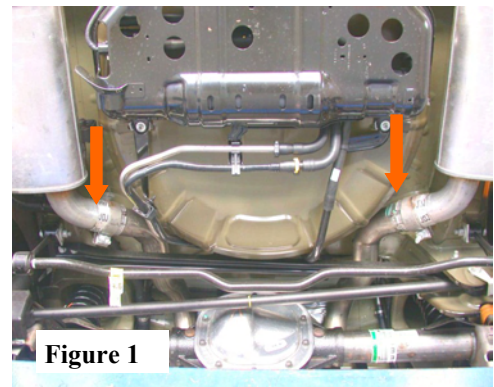
Taking all under car safety precautions, lift the vehicle using a hoist or hydraulic lift. Once this has been done, you may begin the removal of your old exhaust system from your vehicle.

Note: Before removing the original exhaust system from your vehicle, please compare the parts you have received with the bill of materials provided on the previous page to assure that you have all the parts necessary for the installation of your new Borla Performance Rear Section Exhaust System.

Original Exhaust System Removal

Note: With a used vehicle, we suggest a penetrating spray lubricant to be applied liberally to all exhaust fasteners and allowing a significant period of time for the chemical to lubricate the threads before attempting to disassemble.

1. Loosen the clamps located just in front of each muffler. (See Fig.1)
2. Using a muffler stand or an additional person to hold the left muffler assembly up into position, using a 15mm socket, unbolt the hanger bracket assembly located just above the front portion of the muffler. Place the hardware to the side for use during the installation of your new exhaust system. (See Fig.2)
3. Continuing using a muffler stand or an additional person to hold the left muffler assembly up into position, using a 15mm socket, unbolt the hanger bracket assembly located just above the rear portion of the muffler. Place the hardware to the side for use during the installation of your new exhaust system. (See Fig.3)
4. Repeat steps 1 thru 4 for the removal of the right side muffler assembly.



Warning: Use extreme caution during installation. Torque all fasteners according to manufacturer's torque values and tightening sequence. DO NOT use air impact tools to tighten fasteners on Borla Performance Exhaust Systems. Use of such tools may result in bent flanges or gasket contact areas leading to exhaust leaks.

Borla Performance Rear Section Exhaust System Installation

1. Remove the hanger bracket assemblies from the original left muffler assembly and install them onto your new left muffler assembly. (See Fig.4)
2. Place a clamp over the expanded end of the left muffler assembly and using a muffler stand or an additional person to hold it up in place, set it into position and using the original hardware, secure the hanger bracket assemblies to the vehicle. Do Not tighten clamp.
3. Repeat steps 1 and 2 for the installation of the right side muffler assembly. (See Fig.6)
4. Check your exhaust system for proper clearance under the vehicle and also for tip alignment. Once position has been determined to be correct, tighten the Accuseal™ clamps to 32-35 ft. lbs. (See Fig.6)
6. Before starting your vehicle, make sure to check all wires, hoses, brake lines, body parts and tires for safe clearance from the exhaust system.
7. Start vehicle and check for any leaks. If any leaks are found, determine cause (such as loose or incorrectly positioned clamp) and repair as necessary.

Congratulations!!! You have completed the installation of the world famous Borla Performance Stainless Steel Exhaust System.

Note: When you first start your vehicle after the installation of your new Borla Performance Exhaust System, there may be some smoke and fumes coming from the system. This is a protective oil based coating used in the manufacturing of mandrel bent performance exhaust tubing. This is not a problem and will disappear within a very short period of time after the exhaust has reached normal operating temperatures.



Figure 4



Figure 5



Figure 6