

Installation Instruction for Toyota Tundra PN's-140239, 140333, 140638



Precision manufactured using high quality austenitic stainless steel; this system is designed to endure years of heavy use. Installing a Borla Performance Exhaust System on your vehicle will eliminate the restrictive design of the stock exhaust, allowing your engine to discharge exhaust gas easier. The result is more horsepower and torque, longer engine life, and a distinctive throaty growl- all this, with easy bolt-on installation. These installation instructions have been written to help you in the installation of your Borla Performance Exhaust System. Please read it completely before installing your system.

Thank you for purchasing a Borla Performance Cat-Back™ [Exhaust System](#).

Borla Performance Cat-Back™ Exhaust Systems (PN's-140239, 140333, 140638) are designed for the Toyota Tundra Crew Max Short Bed, Double Cab Standard Bed, Regular Cab Long Bed, equipped with 5.7L V8 engine, 2 or 4-WD automatic transmissions.

Borla Performance Industries recommends that an exhaust shop or professional after market parts installer, who has all the necessary equipment, tools and experienced personnel needed for proper installation, should perform the installation of this system. However, if you decide to perform the installation, we recommend someone should help you. Ensure the installer uses all under car safety precautions including eye protection.

Please take time to read and understand the following...

By installing your Borla Performance Exhaust System, you indicate that you have read this document and you agree with the terms stated below.

It is the responsibility of the purchaser to follow all installation instruction guidelines and safety procedures supplied with your Borla Performance Exhaust System.

Borla Performance Industries assumes no responsibility for damages occurring from misuse, abuse, improper installation, improper operation, lack of responsible care, or all previously stated reasons resulting from incompatibility with other manufacturer's products and/or systems.

Included with your Borla Performance Exhaust System is a warranty card. Please read it carefully before you begin any work on your vehicle. If you should have any questions regarding our warranty policy, installation, or any other matter pertaining to your new Borla Performance Exhaust System, please give us a call at the number provided on the warranty card.

Minimum Required Tool List:

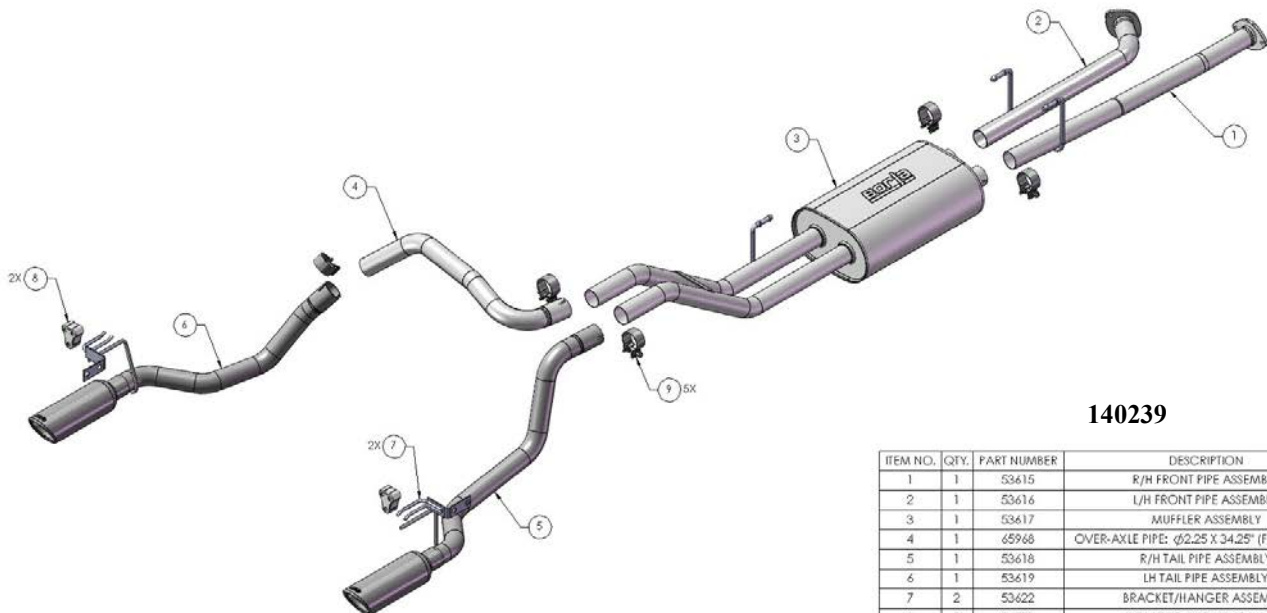
TOOLS:

- 1 3/8" Drive Ratchet
- 2 3/8" Drive Extension 3"
- 3 15mm Socket
- 4 14mm Socket
- 5 Pry Bar

SHOP SUPPLIES:

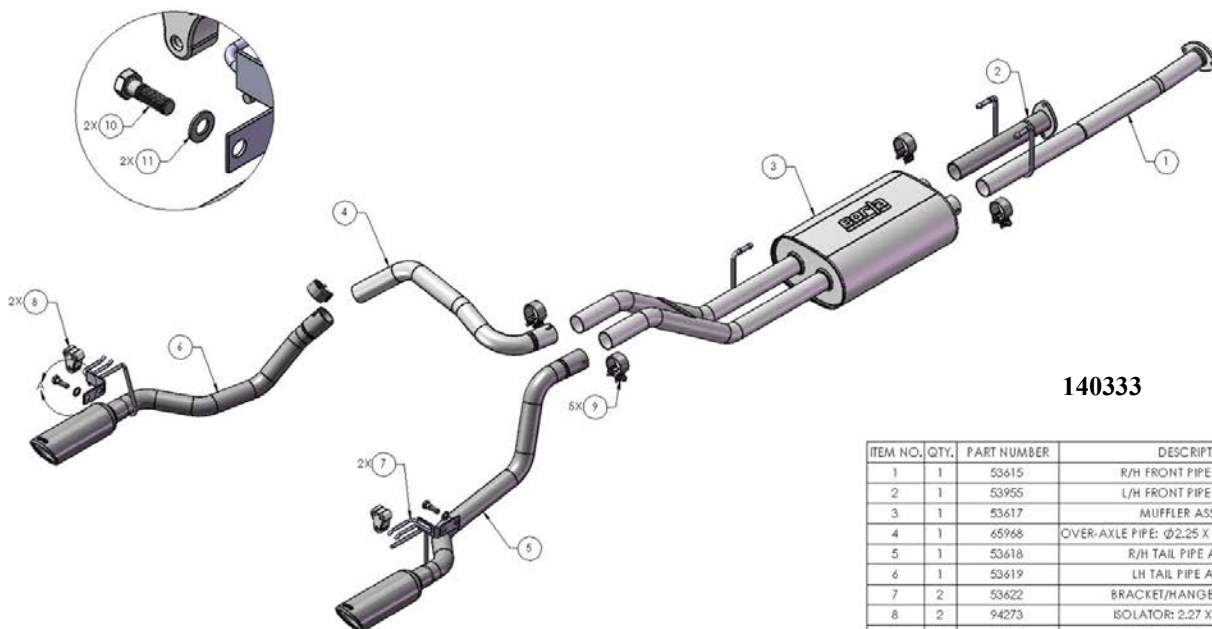
- 1 Spray Lubricant

Borla Performance Cat-Back™ Bill of Materials



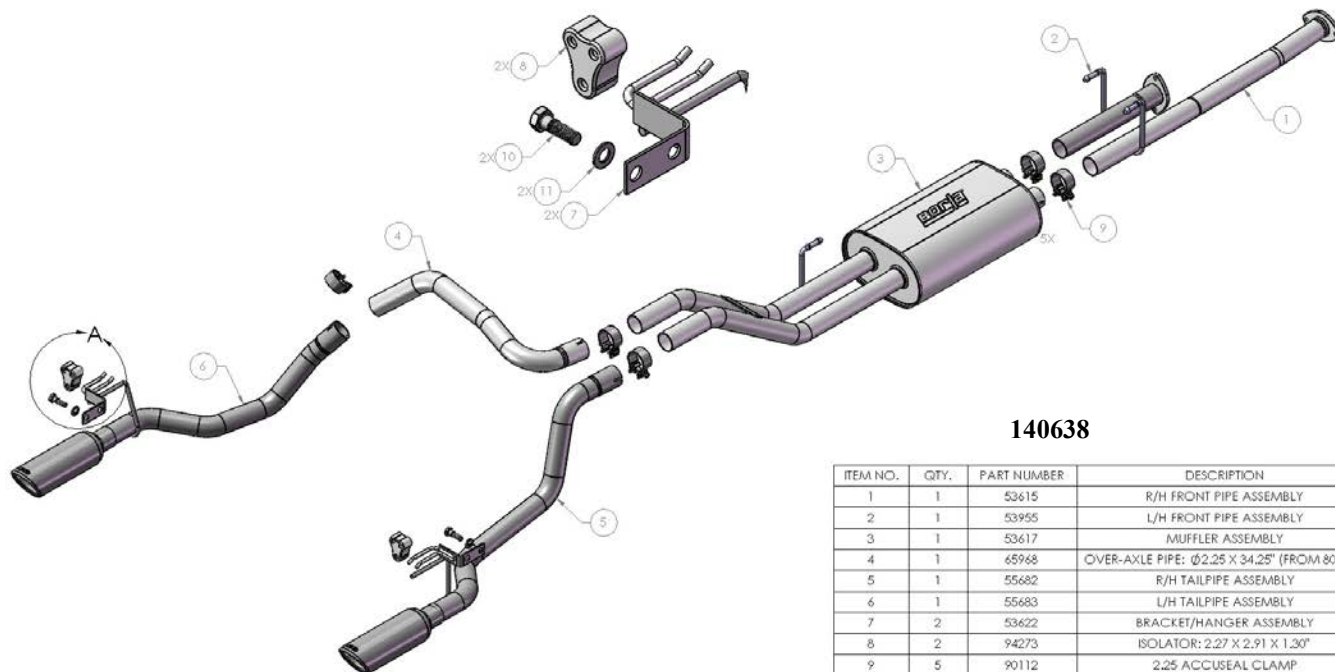
140239

ITEM NO.	QTY.	PART NUMBER	DESCRIPTION
1	1	53615	R/H FRONT PIPE ASSEMBLY
2	1	53616	L/H FRONT PIPE ASSEMBLY
3	1	53617	MUFFLER ASSEMBLY
4	1	65968	OVER-AXLE PIPE: ϕ 2.25 X 34.25" (FROM 80007)
5	1	53618	R/H TAIL PIPE ASSEMBLY
6	1	53619	LH TAIL PIPE ASSEMBLY
7	2	53622	BRACKET/HANGER ASSEMBLY
8	2	94273	ISOLATOR: 2.27 X 2.91 X 1.30"
9	5	90112	2.25 ACCUSEAL CLAMP



14033

ITEM NO.	QTY.	PART NUMBER	DESCRIPTION
1	1	53615	R/H FRONT PIPE ASSEMBLY
2	1	53955	L/H FRONT PIPE ASSEMBLY
3	1	53617	MUFFLER ASSEMBLY
4	1	65968	OVER-AXLE PIPE: Ø2.25 X 34.25" (FROM 80007)
5	1	53618	R/H TAIL PIPE ASSEMBLY
6	1	53619	LH TAIL PIPE ASSEMBLY
7	2	53622	BRACKET/HANGER ASSEMBLY
8	2	94273	ISOLATOR: 2.27 X 2.91 X 1.30"
9	5	90112	2.25 ACCUSEAL CLAMP
10	2	91180A785	BOLT: 14MM X 1.5 X 45MM
11	2	90965A220	WASHER: 28MM X 15MM



140638

ITEM NO.	QTY.	PART NUMBER	DESCRIPTION
1	1	53615	R/H FRONT PIPE ASSEMBLY
2	1	53955	L/H FRONT PIPE ASSEMBLY
3	1	53617	MUFFLER ASSEMBLY
4	1	65968	OVER-AXLE PIPE: Ø2.25 X 34.25" (FROM 80007)
5	1	55682	R/H TAILPIPE ASSEMBLY
6	1	55683	L/H TAILPIPE ASSEMBLY
7	2	53622	BRACKET/HANGER ASSEMBLY
8	2	94273	ISOLATOR: 2.27 X 2.91 X 1.30"
9	5	90112	2.25 ACCUSEAL CLAMP
10	2	91165	BOLT: 14MM X 1.5 X 45MM
11	2	91166	WASHER: 28MM X 15MM

Caution!!! Never work on a hot exhaust system. Serious injury in the form of burns can result

If the vehicle has been in use and the exhaust system is hot, allow vehicle to cool for at least 1 hour. Always wear eye protection when working under any vehicle.

Note: It is our recommendation that you use a hoist or hydraulic lift to facilitate the installation of your new Borla Performance Cat-Back™ Exhaust System.

Taking all under car safety precautions, lift the vehicle using a hoist or hydraulic lift. Once this has been done, you may begin the removal of your old exhaust system from your vehicle.

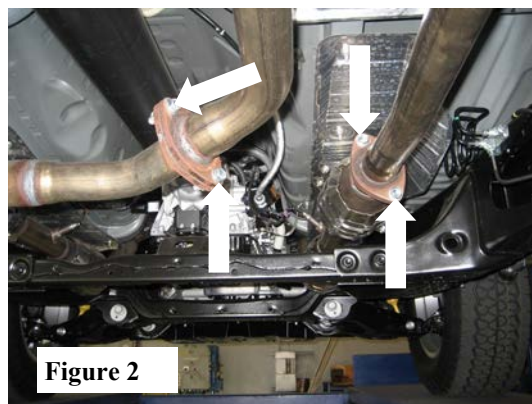
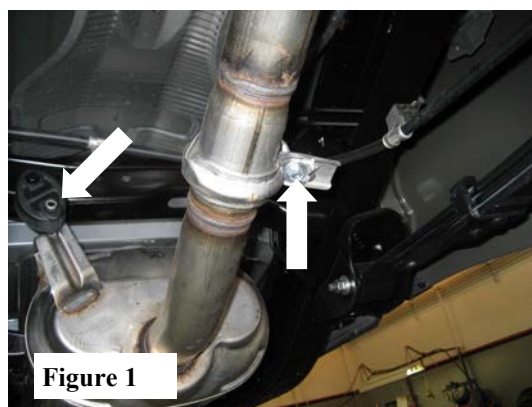
Note: Before removing the original exhaust system from your vehicle, please compare the parts you have received with the bill of materials provided on the previous page to assure that you have all the parts necessary for the installation of your new Borla Performance Cat-Back Exhaust System.

Original Exhaust System Removal

Note: With a used vehicle, we suggest a penetrating spray lubricant to be applied liberally to all exhaust fasteners and allowing a significant period of time for the chemical to lubricate the threads before attempting to disassemble.

1. Remove the spare tire for ease on installation as recommended by vehicle manual.
2. Lubricate all the hangers, rubber isolators, bolts and nuts.
3. Loosen the clamp located just behind the muffler assembly. (See Fig. 1)
4. Unbolt (2) front flanges located behind each catalytic converter. Keep the hardware for installation of your new exhaust system. (See Fig. 2)
5. Using a muffler stand or an additional person to hold the tail pipe assembly, remove the hangers from the rubber isolators and remove the tail pipe assembly from the vehicle. (See Fig. 3)

Warning: Use extreme caution during installation. Torque all fasteners according to manufacturer's torque values and tightening sequence. DO NOT use air impact tools to tighten fasteners on Borla Performance Exhaust Systems. Use of such tools may result in bent flanges or gasket contact areas leading to exhaust leaks.



Borla Performance Cat-Back™ Exhaust System Installation

1. Install the **R/H Front Pipe Assembly** and **L/H Front Pipe Assembly** to flange using factory hardware and insert the hangars into the rubber isolators. (See Fig. 4)
2. Place a clamp over the expanded ends of the **Muffler Assembly** and insert the inlets to left and right side outlets of the **Front Pipe Assemblies** inserting the hangar into the rubber isolator. Do Not tighten the clamps. (See Fig. 5)
3. Place a clamp over the expanded end of the **Over Axle Pipe** inserting the inlet to left-side outlet of **Muffler Assembly**. Do Not tighten the clamp. (See Fig. 6)
4. Install the **Brackets/Hangar Assembly** using provided hardware to outside of the left-side frame rail of the vehicle. (See Fig. 7)
5. Place clamp over the expanded end of the **L/H Tail Pipe Assembly** inserting the inlet to the **Over Axle Pipe** outlet. Do Not tighten the clamp.
6. Place clamp over the expanded end of the **R/H Tail Pipe Assembly** inserting the inlet to the **Muffler Assembly**. Do Not tighten the clamp.
7. Check your exhaust system for proper clearance under the vehicle and also for tip alignment. (See Fig.8)
8. Once position has been determined to be correct, tighten the Accuseal™ clamps to 32-35 ft. lbs. making sure the clamp opening is not over any of the notches in the pipe. Tighten the flange hardware to 18-22 ft. lbs.
9. Reinstall the spare tire as recommended by vehicle manufacturer.
10. Before starting your vehicle, make sure to check all wires, hoses, brake lines, body parts and tires for safe clearance from the exhaust system.

Note: When you first start your vehicle after the installation of your new Borla Performance Exhaust System, there may be some smoke and fumes coming from the system. This is a protective oil based coating used in the manufacturing of mandrel bent performance exhaust tubing. This is not a problem and will disappear within a very short period of time after the exhaust has reached normal operating temperatures.

