

## Installation for Audi S3 PN-140631



These instructions have been written to help you with the installation of your Borla Performance [Exhaust System](#). Please read this document completely before beginning the installation of your system. Please compare the parts in the box with the bill of materials provided to assure that you have all the parts necessary for this installation.

**Thank you for purchasing a Borla Performance Exhaust System.**

**Borla Performance Cat-back Exhaust System (PN-140631) is designed for the Audi S3, 2.0T engine, AWD, automatic transmission.**

Borla Performance Industries recommends that an exhaust shop or professional after market parts installer perform the installation of this system. However, if you decide to perform the installation on your own it is recommended that two people are used. This installation should not be performed by one person due to the risk of injury. Ensure the installers use all under car safety precautions including eye protection.

*Please take time to read and understand the following...*

By installing your Borla Performance Exhaust System, you indicate that you have read this document and you agree with the terms stated below.

It is the responsibility of the purchaser to follow all installation instruction guidelines and safety procedures supplied with your Borla Performance Exhaust System.

Borla Performance Industries assumes no responsibility for damages occurring from misuse, abuse, improper installation, improper operation, lack of responsible care, or all previously stated reasons resulting from incompatibility with other manufacturer's products and/or systems.

Included with your Borla Performance Exhaust System is a warranty card. Please read it carefully before you begin any work on your vehicle. If you should have any questions regarding our warranty policy, installation, or any other matter pertaining to your new Borla Performance Exhaust System, please give us a call at the number provided on the warranty card.

**Minimum Required Tool List:**

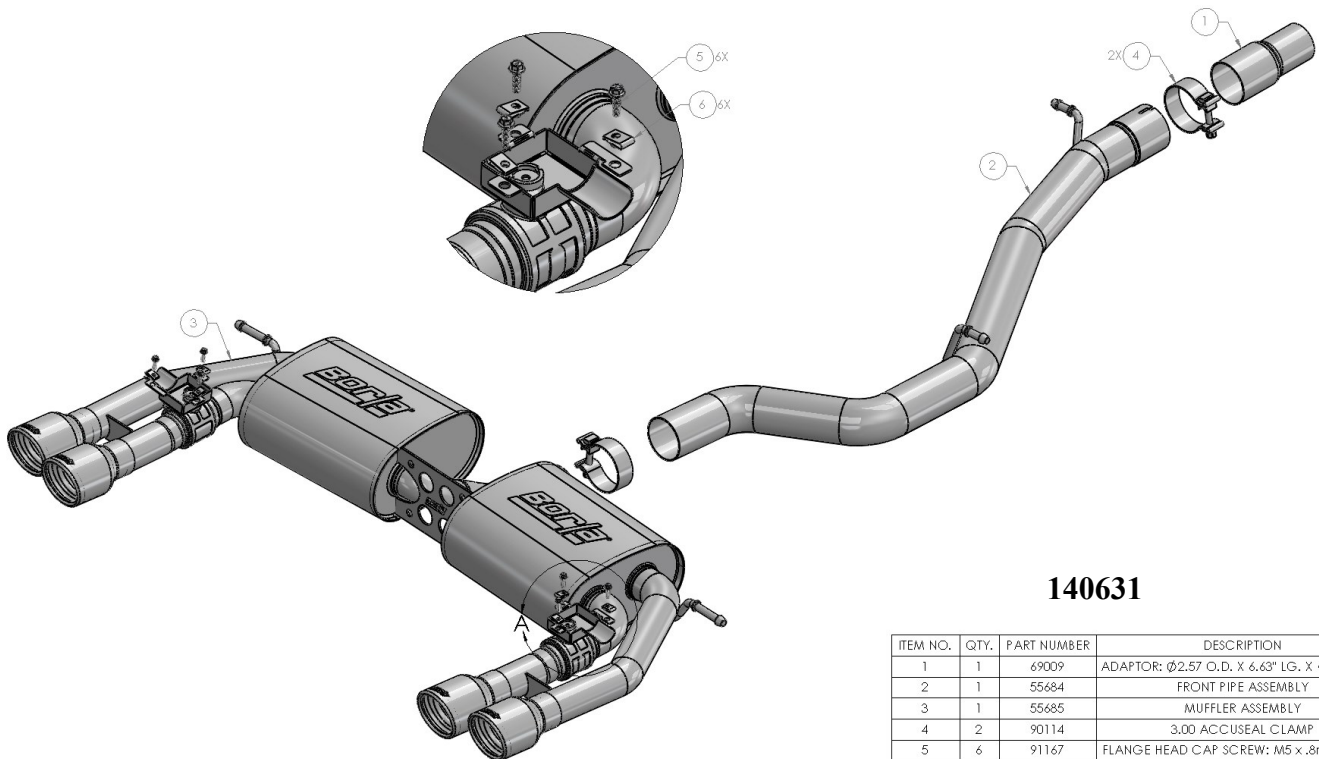
**TOOLS:**

1. 3/8" Drive Ratchet
2. 3/8" Drive Extension 3"
3. 15mm Deep Well Socket
4. 14mm Socket
5. 8mm Socket
6. 8mm Wrench
7. Pry Bar

**SHOP SUPPLIES:**

- 1 Spray Lubricant

**Borla Performance - Bill of Materials**



**140631**

ITEM NO.	QTY.	PART NUMBER	DESCRIPTION
1	1	69009	ADAPTOR: Ø2.57 O.D. X 6.63" LG. X Ø3.00 O.D.
2	1	55684	FRONT PIPE ASSEMBLY
3	1	55685	MUFFLER ASSEMBLY
4	2	90114	3.00 ACCUSEAL CLAMP
5	6	91167	FLANGE HEAD CAP SCREW: M5 x .8mm, 20mm
6	6	91168	CLIP ON NUT: M5 x .8mm

**Caution!!! Never work on a hot exhaust system. Serious injury in the form of burns can result!** If the vehicle has been in use and the exhaust system is hot, allow vehicle to cool for at least 1 hour. Always wear eye protection when working under any vehicle.

*Note: It is our recommendation that you use a hoist or hydraulic lift to facilitate the installation of your new Borla Performance Rear Section Exhaust System.*

Taking all under car safety precautions, lift the vehicle using a hoist or hydraulic lift. Once this has been done, you may begin the removal of your old exhaust system from your vehicle.

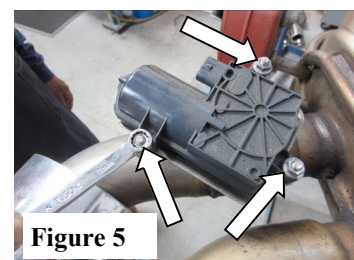
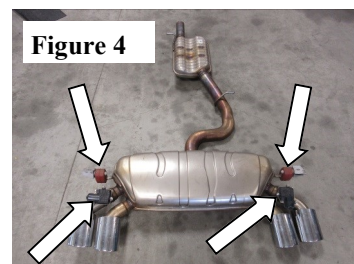
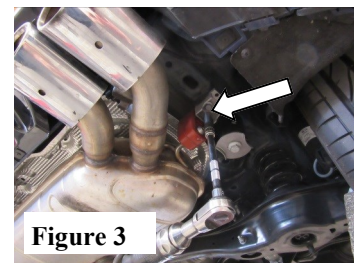
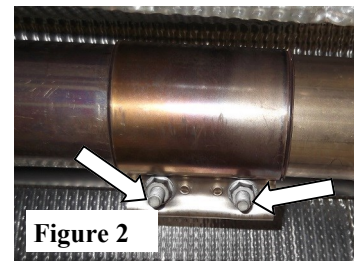
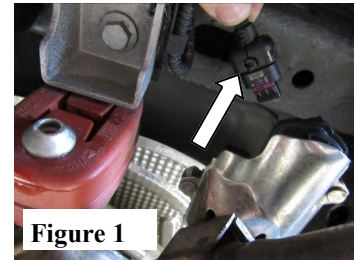
*Note: Before removing the original exhaust system from your vehicle, please compare the parts you have received with the bill of materials provided on the previous page to assure that you have all the parts necessary for the installation of your new Borla Performance Rear Section Exhaust System.*

## Original Exhaust System Removal

*Note: With a used vehicle, we suggest a penetrating spray lubricant to be applied liberally to all exhaust fasteners and allowing a significant period of time for the chemical to lubricate the threads before attempting to disassemble.*

1. Lubricate all the hangers, rubber isolators, bolts and nuts.
2. Locate exhaust electronic actuators on rear mufflers and carefully disconnect harnesses from muffler. These will be re-connected to transferred actuators on your new exhaust system. (See Fig. 1)
3. Loosen front band-clamp hardware and slide clamps forward. (See Fig. 2)
4. Using a muffler stand or another person. Carefully remove factory exhaust system. Remove right hand and left hand rubber isolator from rear muffler assembly and transfer both to your new Borla system. (See Figs. 3 & 4)
5. With an 8mm socket remove hardware on both left and right side electronic actuators. Transfer actuators to your new Borla system and tighten hardware 12 ft. lbs. (See Fig. 5)

**Warning: Use extreme caution during installation. Torque all fasteners according to manufacturer's torque values and tightening sequence. DO NOT use air impact tools to tighten fasteners on Borla Performance Exhaust Systems. Use of such tools may result in bent flanges or gasket contact areas leading to exhaust leaks.**



**Caution!!! Never work on a hot exhaust system. Serious injury in the form of burns can result!** If the vehicle has been in use and the exhaust system is hot, allow vehicle to cool for at least 1 hour. Always wear eye protection when working under any vehicle.

*Note: It is our recommendation that you use a hoist or hydraulic lift to facilitate the installation of your new Borla Performance Rear Section Exhaust System.*

Taking all under car safety precautions, lift the vehicle using a hoist or hydraulic lift. Once this has been done, you may begin the removal of your old exhaust system from your vehicle.

*Note: Before removing the original exhaust system from your vehicle, please compare the parts you have received with the bill of materials provided on the previous page to assure that you have all the parts necessary for the installation of your new Borla Performance Rear Section Exhaust System.*

## Borla Performance Exhaust System Installation

*Determine and complete installation (A or B) front pipe configurations before continuing to step 1:*

**A) FACTORY FRONT PIPE INSTALLATION:** Install Adaptor using factory band clamp. **DO NOT TIGHTEN BOLTS.** Proceed to step 1.

**B) BORLA 60562 DOWNPIPE INSTALLATION:** Install 60562 Downpipe per installation instructions before proceeding to step 1.

1. Place a clamp over the expanded end of the **Front Pipe Assembly** and insert to factory band clamp OR 60562 Down Pipe. (See Fig. 6)
2. Install **Muffler Assembly** carefully inserting hangers into rubber isolators. Place a clamp over the expanded inlet of **Muffler Assembly** and insert into **Front Pipe Assembly** outlet. (See Figs. 5 & 6)
3. Re-connect left and right side wire harnesses to electronic actuators.
4. Starting at **Front Pipe Assembly** and working to the **Muffler Assembly**, check your exhaust for proper clearance under the vehicle and also for tip alignment. Tighten front band-clamp bolt 18-22 ft.lbs torque. Tighten clamps 32-35 ft. lb. torque. (See Fig. 8)
5. Start vehicle and check for any leaks. If any leaks are found, determine cause (such as loose hardware or incorrectly positioned clamp) and repair as necessary.

*Note: When you first start your vehicle after the installation of your new Borla Performance Exhaust System, there may be some smoke and fumes coming from the system. This is a protective oil based coating used in the manufacturing of mandrel bent performance exhaust tubing. This is not a problem and will disappear within a very short period of time after the exhaust has reached normal operating temperatures.*

