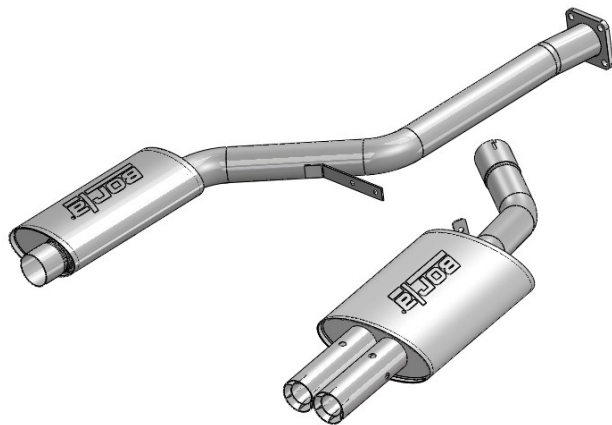


Installation for Porsche 928 PN-140567



These instructions have been written to help you with the installation of your Borla Performance [Exhaust System](#). Please read this document completely before beginning the installation of your system. Please compare the parts in the box with the bill of materials provided to assure that you have all the parts necessary for this installation.

Thank you for purchasing a Borla Performance Exhaust System.

Borla Performance Cat-back Exhaust System PN-(140567) is designed for the Porsche 928 4.5L engine, RWD automatic or Manual transmissions.

Borla Performance Industries recommends that an exhaust shop or professional after market parts installer perform the installation of this system. However, if you decide to perform the installation on your own it is recommended that two people are used. This installation should not be performed by one person due to the risk of injury. Ensure the installers use all under car safety precautions including eye protection.

Please take time to read and understand the following...

By installing your Borla Performance Exhaust System, you indicate that you have read this document and you agree with the terms stated below.

It is the responsibility of the purchaser to follow all installation instruction guidelines and safety procedures supplied with your Borla Performance Exhaust System.

Borla Performance Industries assumes no responsibility for damages occurring from misuse, abuse, improper installation, improper operation, lack of responsible care, or all previously stated reasons resulting from incompatibility with other manufacturer's products and/or systems.

Minimum Required Tool List:

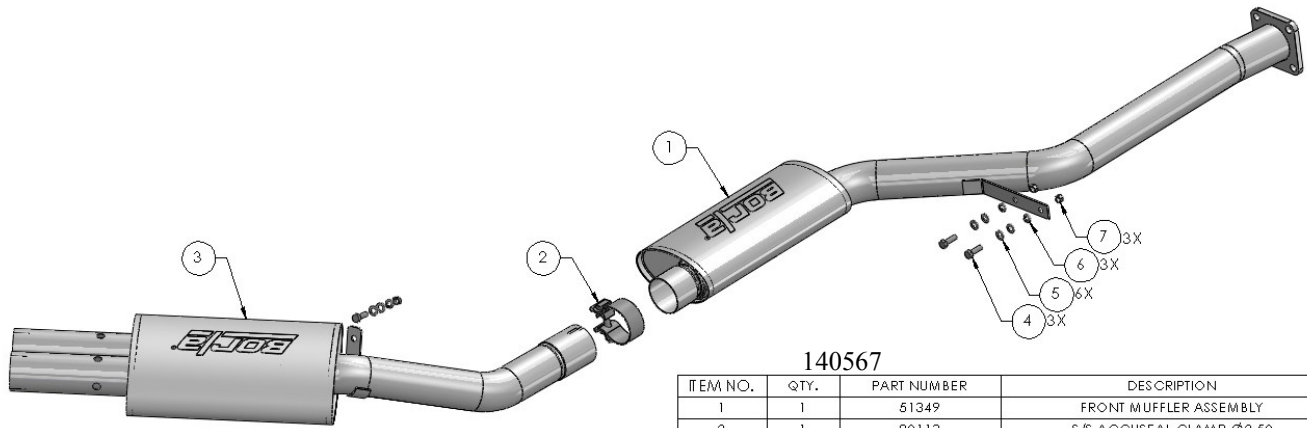
TOOLS:

1. 3/8" Drive Ratchet
2. 3/8" Drive Extension 3"
3. 14mm Socket
4. 15mm Deep Well Socket
5. Pry Bar

SHOP SUPPLIES:

- 1 Spray Lubricant

Borla Performance - Bill of Materials



140567

ITEM NO.	QTY.	PART NUMBER	DESCRIPTION
1	1	51349	FRONT MUFFLER ASSEMBLY
2	1	90113	S/S ACCUSEAL CLAMP Ø2.50
3	1	55234	REAR MUFFLER ASSEMBLY
4	3	91003	SCREW: CAP, HXHD 5/16-18 X 1.00"
5	6	92009	8MM FLAT WASHER
6	3	92025	8MM LOCK WASHER
7	3	93001	HEX NUT: 5/16-18