

Exhaust System Installation PN's 140391, 140403



Thank you for purchasing a Borla Performance Cat-Back™ Exhaust System.

Borla Performance Cat-Back™ Exhaust System (PN-140391) is designed for the Audi S5 w/ 4.2L V8 engine w/ automatic or manual transmission.

Borla Performance Cat-Back™ Exhaust System (PN-140403) is designed for the Audi S4 w/ 3.0L Supercharged V6 engine w/ automatic or manual transmission.

Borla Performance Industries recommends that an exhaust shop or professional after market parts installer, who has all the necessary equipment, tools and experienced personnel needed for proper installation, should perform the installation of this system. However, if you decide to perform the installation, we recommend someone should help you. Ensure the installer uses all under car safety precautions including eye protection.

Please take time to read and understand the following...

By installing your Borla Performance Exhaust System, you indicate that you have read this document and you agree with the terms stated below.

It is the responsibility of the purchaser to follow all installation instruction guidelines and safety procedures supplied with your Borla Performance Exhaust System

Borla Performance Industries assumes no responsibility for damages occurring from misuse, abuse, improper installation, improper operation, lack of responsible care, or all previously stated reasons resulting from incompatibility with other manufacturer's products and/or systems.

Minimum Required Tool List:

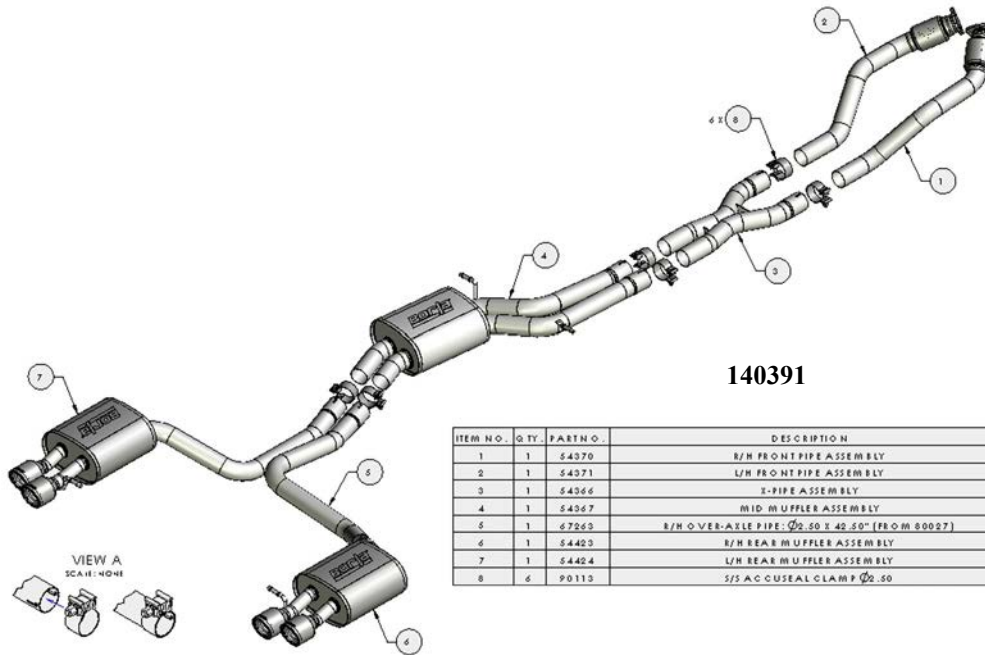
TOOLS:

1. 3/8" Drive Ratchet
2. 3/8" Drive Extension 3"
3. 15mm Socket
4. Pry Bar

SHOP SUPPLIES:

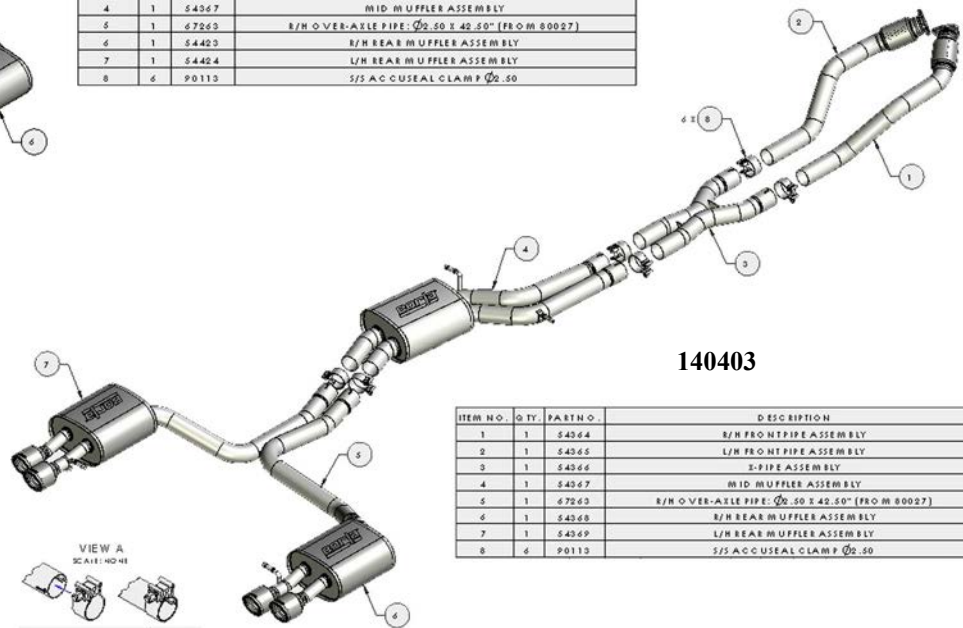
- 1 Spray Lubricant

Borla Performance Cat-back™ Bill of Materials



140391

ITEM NO.	QTY.	PART NO.	DESCRIPTION
1	1	54370	R/H FRONT PIPE ASSEMBLY
2	1	54371	L/H FRONT PIPE ASSEMBLY
3	1	54366	Z-PIPE ASSEMBLY
4	1	54367	MID-MUFFLER ASSEMBLY
5	1	67265	R/H OVER-AXLE PIPE: Ø2.50 X 42.50" (FROM 80027)
6	1	54423	R/H REAR MUFFLER ASSEMBLY
7	1	54424	L/H REAR MUFFLER ASSEMBLY
8	6	90113	5/8" AC声U SEAL CLAMP Ø2.50



140403

ITEM NO.	QTY.	PART NO.	DESCRIPTION
1	1	54364	R/H FRONT PIPE ASSEMBLY
2	1	54365	L/H FRONT PIPE ASSEMBLY
3	1	54366	Z-PIPE ASSEMBLY
4	1	54367	MID-MUFFLER ASSEMBLY
5	1	67265	R/H OVER-AXLE PIPE: Ø2.50 X 42.50" (FROM 80027)
6	1	54368	R/H REAR MUFFLER ASSEMBLY
7	1	54369	L/H REAR MUFFLER ASSEMBLY
8	6	90113	5/8" AC声U SEAL CLAMP Ø2.50

Caution!!! *Never work on a hot exhaust system. Serious injury in the form of burns can result* If the vehicle has been in use and the exhaust system is hot, allow vehicle to cool for at least 1 hour. Always wear eye protection when working under any vehicle.

Note: It is our recommendation that you use a hoist or hydraulic lift to facilitate the installation of your new Borla Performance Exhaust System.

Taking all under car safety precautions, lift the vehicle using a hoist or hydraulic lift. Once this has been done, you may begin the removal of your old exhaust system from your vehicle.

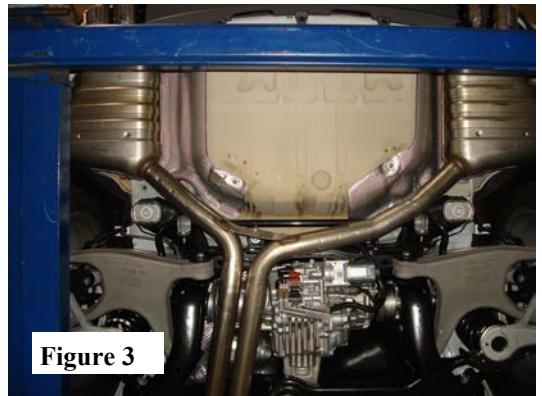
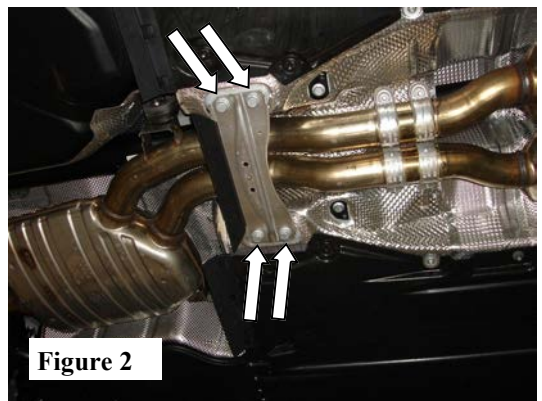
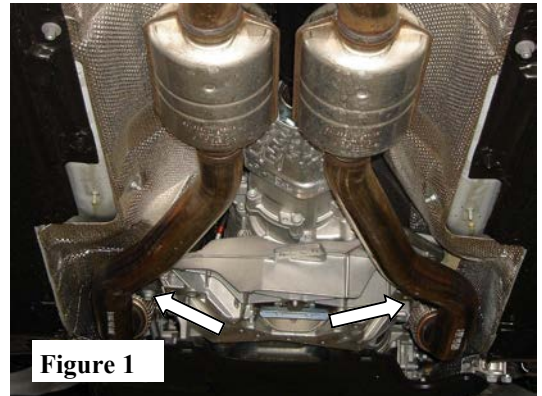
Note: Before removing the original exhaust system from your vehicle, please compare the parts you have received with the bill of materials provided on the previous page to assure that you have all the parts necessary for the installation of your new Borla Performance Exhaust System.

Original Exhaust System Removal

Note: With a used vehicle, we suggest a penetrating spray lubricant to be applied liberally to all exhaust fasteners and allowing a significant period of time for the chemical to lubricate the threads before attempting to disassemble.

1. Lubricate all the hangers and rubber isolators. Place all hardware to the side for installation of your new Borla exhaust.
2. Loosen and remove hardware on front pipe flanges. Keep hardware for installation of your new Borla cat-back. (See Fig. 1).
3. Remove cross-member bracket bolts. Keep this assembly for reinstallation later.
4. Support exhaust system with muffler stands. Starting from front and working backwards, carefully remove hangers from rubber isolators. Remove factory exhaust as shown. (See Figs. 3 & 4)

Warning: Use extreme caution during installation. Torque all fasteners according to manufacturer's torque values and tightening sequence. **DO NOT** use air impact tools to tighten fasteners on Borla Performance Exhaust Systems. Use of such tools may result in bent flanges or gasket contact areas leading to exhaust leaks.



Borla Performance Cat-Back™ Exhaust System Installation

1. Reference components and layout on page 2.
2. Install L/H and R/H Front Pipe Assemblies to front flanges using removed hardware. Lightly tighten hardware. (See Fig. 6)
3. Place a clamp on each expanded-end of X-Pipe Assembly and insert into Front Pipe Assembly outlets. Do not tighten clamps.
4. Place clamp on each expanded-ends of Mid Muffler Assembly inlets. Insert into X-Pipe Assembly outlets. Do not tighten clamps.
5. Place a clamp on inlet of L/H Rear Muffler Assembly and insert into left-side Mid Muffler Assembly. Do not tighten clamps.
6. Repeat step 5 for R/H Rear Muffler Assembly.
7. Reinstall cross-member brace using original hardware. (See Fig. 6)
8. Check your exhaust for proper clearance under the vehicle and also for tip alignment. (See Fig. 8)
9. Once position has been determined to be correct, tighten the Ac-cuseal clamps 32-35 ft. lbs. torque (figure 10). Tighten the flange hardware to 18-22 ft. lbs. torque.
10. Start vehicle and check for any leaks. If any leaks are found, determine cause (such as loose hardware or incorrectly positioned clamp) and repair as necessary.

Note: When you first start your vehicle after the installation of your new Borla Performance Exhaust System, there may be some smoke and fumes coming from the system. This is a protective oil based coating used in the manufacturing of mandrel bent performance exhaust tubing. This is not a problem and will disappear within a very short period of time after the exhaust has reached normal operating temperatures.

