

Exhaust System Installation for Camaro SS/ Camaro Z28/ Trans-Am/ Firebird/ Formula Firebird PN-140028



Thank you for purchasing a Borla Performance [Exhaust System](#).

Borla Performance Exhaust System (PN-140028) is designed for the Chevrolet Camaro SS & Camaro Z28, and Pontiac Trans-Am, Firebird & Formula Firebird, Coupe/Convertible, 5.7L V8 engine, RWD, automatic or manual transmissions.

Borla Performance Industries recommends that an exhaust shop or professional after market parts installer, who has all the necessary equipment, tools and experienced personnel needed for proper installation, should perform the installation of this system. However, if you decide to perform the installation, we recommend someone should help you. Ensure the installer uses all under car safety precautions including eye protection.

Please take time to read and understand the following...

By installing your Borla Performance Exhaust System, you indicate that you have read this document and you agree with the terms stated below.

It is the responsibility of the purchaser to follow all installation instruction guidelines and safety procedures supplied with your Borla Performance Exhaust System.

Borla Performance Industries assumes no responsibility for damages occurring from misuse, abuse, improper installation, improper operation, lack of responsible care, or all previously stated reasons resulting from incompatibility with other manufacturer's products and/or systems.

Included with your Borla Performance Exhaust System is a warranty card. Please read it carefully before you begin any work on your vehicle. If you should have any questions regarding our warranty policy, installation, or any other matter pertaining to your new Borla Performance Exhaust System, please give us a call at the number provided on the warranty card.

Minimum Required Tool List:

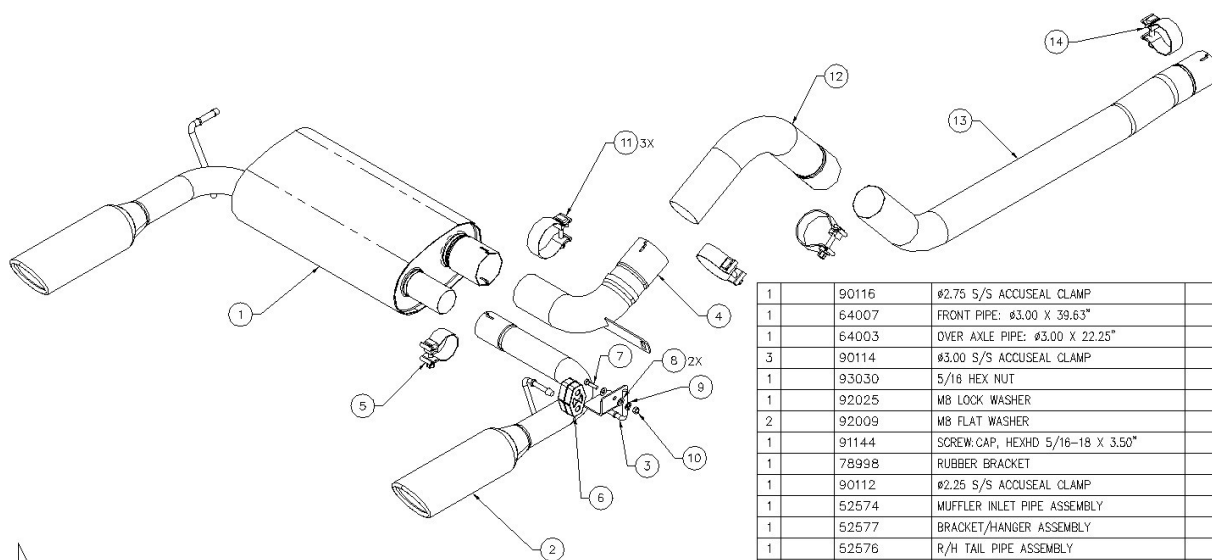
TOOLS:

1. 3/8" Drive Ratchet
2. 3/8" Drive Extension 3"
3. 15mm Socket
4. 3/8" Ratchet
5. 15mm Wrench
6. 17mm Socket
7. 17mm Wrench
8. Pry Bar

SHOP SUPPLIES:

- 1 Spray Lubricant

Borla Performance - Bill of Materials



1	90116	Ø2.75 S/S ACCUSEAL CLAMP		14
1	64007	FRONT PIPE: Ø3.00 X 39.63"		13
1	64003	OVER AXLE PIPE: Ø3.00 X 22.25"		12
3	90114	Ø3.00 S/S ACCUSEAL CLAMP		11
1	93030	5/16 HEX NUT		10
1	92025	M8 LOCK WASHER		9
2	92009	M8 FLAT WASHER		8
1	91144	SCREW:CAP, HEXHD 5/16-18 X 3.50"		7
1	78998	RUBBER BRACKET		6
1	90112	Ø2.25 S/S ACCUSEAL CLAMP		5
1	52574	MUFFLER INLET PIPE ASSEMBLY		4
1	52577	BRACKET/HANGER ASSEMBLY		3
1	52576	R/H TAIL PIPE ASSEMBLY		2
1	52575	MUFFLER ASSEMBLY		1