

## Exhaust System Installation for the Ford Mustang PN's 11887/11895/11889/11890



Precision manufactured using aircraft quality T-304 stainless steel; this system is designed to endure years of heavy use. Installing a Borla [Performance Exhaust System](#) on your vehicle will eliminate the restrictive design of the stock exhaust, allowing your engine to discharge exhaust gas easier. The result is more horsepower and torque, longer engine life, and a distinctive throaty growl- all this, with easy bolt-on installation. These installation instructions have been written to help you in the installation of your Borla Performance Exhaust System. Please read it completely before installing your system.

**Thank you for purchasing a Borla Performance Rear Section Exhaust System.**

**Borla Performance Rear Section Exhaust Systems (PN's 11887 & 11895) are designed for the Ford Mustang GT equipped with a 5.0L V-8 engine, automatic or manual transmissions.**

**Borla Performance Rear Section Exhaust Systems (PN's 11889 & 11890) are designed for the Ford Mustang equipped with the 2.3L 4-Cyl EcoBoost engine or 3.7L V6 engine, automatic or manual transmissions.**

Borla Performance Industries recommends that an exhaust shop or professional after market parts installer, who has all the necessary equipment, tools and experienced personnel needed for proper installation, should perform the installation of this system. However, if you decide to perform the installation, we recommend someone should help you. Ensure the installer uses all under car safety precautions including eye protection.

***Please take time to read and understand the following...***

By installing your Borla Performance Exhaust System, you indicate that you have read this document and you agree with the terms stated below.

It is the responsibility of the purchaser to follow all installation instruction guidelines and safety procedures supplied with your Borla Performance Exhaust System.

Borla Performance Industries assumes no responsibility for damages occurring from misuse, abuse, improper installation, improper operation, lack of responsible care, or all previously stated reasons resulting from incompatibility with other manufacturer's products and/or systems.

Included with your Borla Performance Exhaust System is a warranty card. Please read it carefully before you begin any work on your vehicle. If you should have any questions regarding our warranty policy, installation, or any other matter pertaining to your new Borla Performance Exhaust System, please give us a call at the number provided on the warranty card.

**Minimum Required Tool List:**

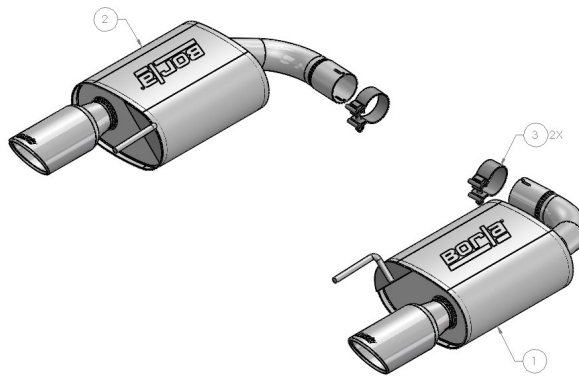
**TOOLS:**

- 1 3/8" Drive Ratchet
- 2 3/8" Drive Extension 3"
- 3 15mm Socket
- 4 Metal cutting saw
- 5 Pry Bar

**SHOP SUPPLIES:**

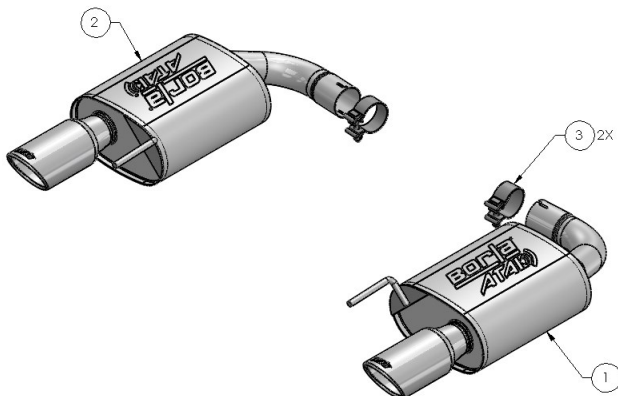
- 1 Spray Lubricant

**Borla Performance Rear Section - Bill of Materials**



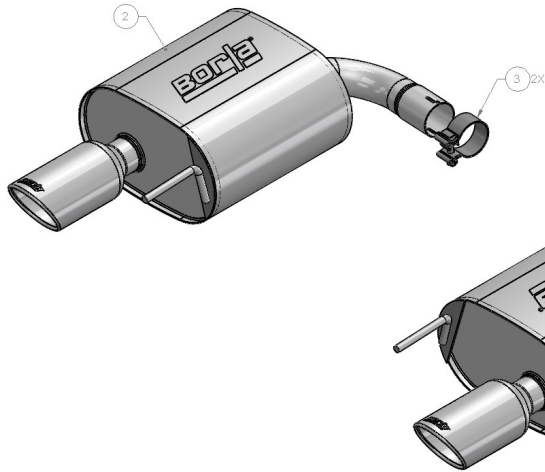
**11887**

ITEM NO.	QTY.	PART NUMBER	DESCRIPTION
1	1	55543	R/H MUFFLER ASSEMBLY
2	1	55544	L/H MUFFLER ASSEMBLY
3	2	90113	S/S ACCUSEAL CLAMP Ø2.50



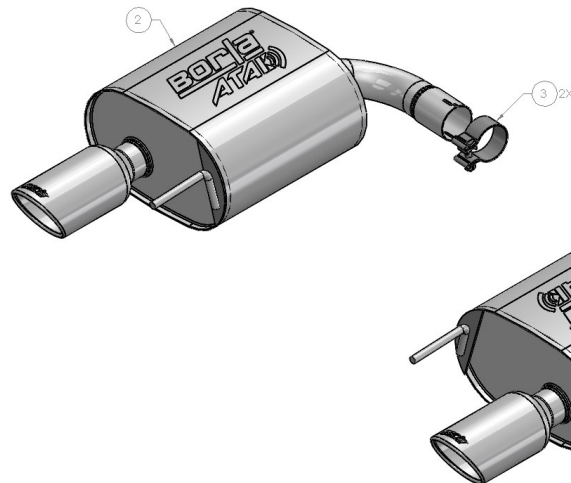
**11895**

ITEM NO.	PART NUMBER	DESCRIPTION	QTY.
1	55522	R/H MUFFLER ASSEMBLY	1
2	55523	L/H MUFFLER ASSEMBLY	1
3	90113	S/S ACCUSEAL CLAMP Ø2.50	2



**11889**

ITEM NO.	QTY.	PART NUMBER	DESCRIPTION
1	1	55579	R/H MUFFLER ASSEMBLY
2	1	55578	L/H MUFFLER ASSEMBLY
3	2	90112	2.25 ACCUSEAL CLAMP



**11890**

ITEM NO.	QTY.	PART NUMBER	DESCRIPTION
1	1	55583	R/H MUFFLER ASSEMBLY
2	1	55584	L/H MUFFLER ASSEMBLY
3	2	90112	2.25 ACCUSEAL CLAMP

**Caution!!!** *Never work on a hot exhaust system. Serious injury in the form of burns can result* If the vehicle has been in use and the exhaust system is hot, allow vehicle to cool for at least 1 hour. Always wear eye protection when working under any vehicle.

*Note: It is our recommendation that you use a hoist or hydraulic lift to facilitate the installation of your new Borla Performance Rear Section Exhaust System.*

Taking all under car safety precautions, lift the vehicle using a hoist or hydraulic lift. Once this has been done, you may begin the removal of your old exhaust system from your vehicle.

*Note: Before removing the original exhaust system from your vehicle, please compare the parts you have received with the bill of materials provided on the previous page to assure that you have all the parts necessary for the installation of your new Borla Performance Rear Section Exhaust System.*

## Original Exhaust System Removal

*Note: With a used vehicle, we suggest a penetrating spray lubricant to be applied liberally to all exhaust fasteners and allowing a significant period of time for the chemical to lubricate the threads before attempting to disassemble.*

1. The factory under-axle pipe must be cut and rear mufflers removed.
2. Starting on right-side under-axle pipe, measure and mark a perpendicular **cut-line** (indicated in green) 2" from pipe-bend (indicated in white). Use a metal cutting bladed saw, carefully cut this right-side pipe at the **cut-line**. (See Fig. 1)
3. Remove hangars from rubber isolators and carefully remove the right-side muffler from the vehicle. (See Figs. 2 & 3)
4. Repeat Step 1 to mark left-side cut-line and cut the left-side pipe.
5. Clean the under-axle pipes and de-burr the edges using a file or rotary grinder.

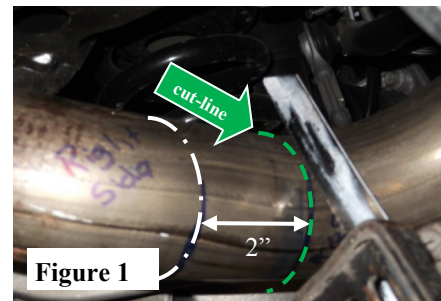


Figure 1

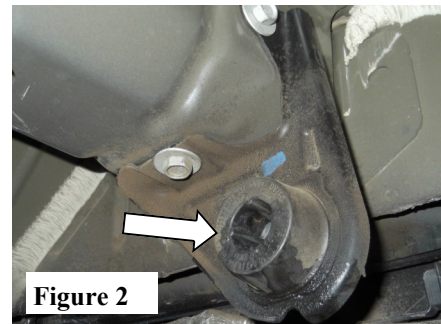


Figure 2

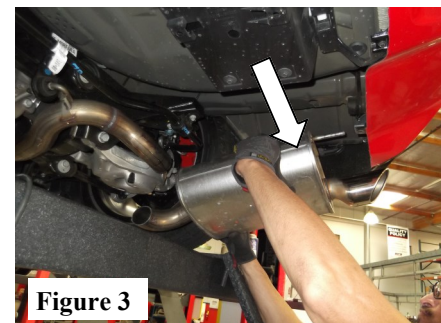


Figure 3



Figure 4

**Warning:** Use extreme caution during installation. Torque all fasteners according to manufacturer's torque values and tightening sequence. **DO NOT** use air impact tools to tighten fasteners on Borla Performance Exhaust Systems. Use of such tools may result in bent flanges or gasket contact areas leading to exhaust leaks.

## Borla Performance Exhaust System Installation

1. Beginning with the **L/H Muffler Assembly**, place a clamp over the inlet tube and insert (2) hangers into the rubber isolators. Insert the **L/H Muffler Assembly** inlet tube over the (cut) under-axle pipe. (See Fig. 5 & 6) **DO NOT TIGHTEN CLAMP.**
2. Repeat Step 1 for the installation of the **R/H Muffler Assembly**.
3. Check your exhaust system for proper clearance under the vehicle and also for tip position to the valence opening. (See Fig. 7)
4. Once position has been determined to be correct, tighten the Accuseal™ clamps to 32-35 ft. lbs. (See Fig. 8)
5. Before starting your vehicle, make sure to check all wires, hoses, brake lines, body parts and tires for safe clearance from the exhaust system.
6. Start vehicle and check for any leaks. If any leaks are found, determine cause (such as loose or incorrectly positioned clamp) and repair as necessary.

*Note: When you first start your vehicle after the installation of your new Borla Performance Exhaust System, there may be some smoke and fumes coming from the system. This is a protective oil based coating used in the manufacturing of mandrel bent performance exhaust tubing. This is not a problem and will disappear within a very short period of time after the exhaust has reached normal operating temperatures.*

**Congratulations!!!** You have completed the installation of the world famous Borla Performance Stainless Steel Exhaust System.

