

## Cat-Back Installation for Cadillac CTS-V Coupe Rear Section-11805, 11823 and Mid-



These instructions have been written to help you with the installation of your Borla Performance Exhaust System. Please read this document completely before beginning the installation of your system.

Please compare the parts in the box with the bill of materials provided to assure that you have all the parts necessary for this installation.

Thank you for purchasing a Borla Performance Exhaust System.

Borla Performance Exhaust Systems (PN-11805, 11823, and 60524) are designed for the Cadillac CTS-V Coupe equipped with a 6.2L engine, rear-wheel drive with automatic or manual transmissions.

**NOTE: Borla 60524 is not designed to fit or work with the factory OE rear exhaust pipes. This component is designed to fit Borla 11805 & 11823.**

Borla Performance Industries recommends that an exhaust shop or professional after market parts installer perform the installation of this system. However, if you decide to perform the installation on your own it is recommended that two people are used. This installation should not be performed by one person due to the risk of injury. Ensure the installers use all under car safety precautions including eye protection.

*Please take time to read and understand the following...*

By installing your Borla Performance Exhaust System, you indicate that you have read this document and you agree with the terms stated below.

It is the responsibility of the purchaser to follow all installation instruction guidelines and safety procedures supplied with your Borla Performance Exhaust System

Borla Performance Industries assumes no responsibility for damages occurring from misuse, abuse, improper installation, improper operation, lack of responsible care, or all previously stated reasons resulting from incompatibility with other manufacturer's products and/or systems.

Included with your Borla Performance Exhaust System is a warranty card. Please read it carefully before you begin any work on your vehicle. If you should have any questions regarding our warranty policy, installation, or any other matter pertaining to your new Borla Performance Exhaust System, please give us a call at the number provided on the warranty card.

### Minimum Required Tool List:

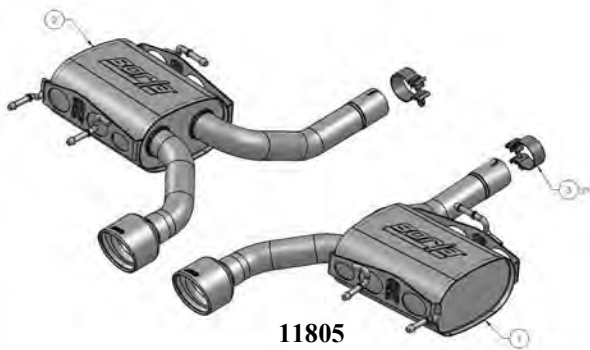
#### TOOLS:

- 1 3/8" Drive Ratchet
- 2 3/8" Drive Extension 3"
- 3 15mm Deep Well Socket
- 4 Pry Bar
- 5 Metal-cutting Sawsall

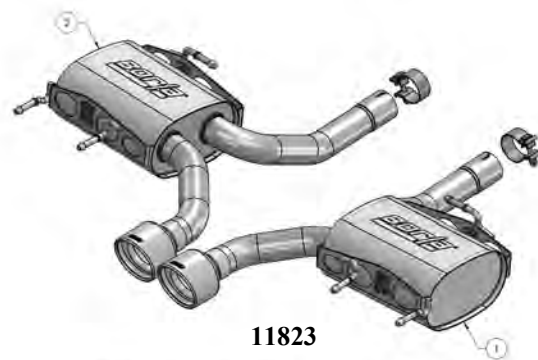
#### SHOP SUPPLIES:

- 1 Spray Lubricant

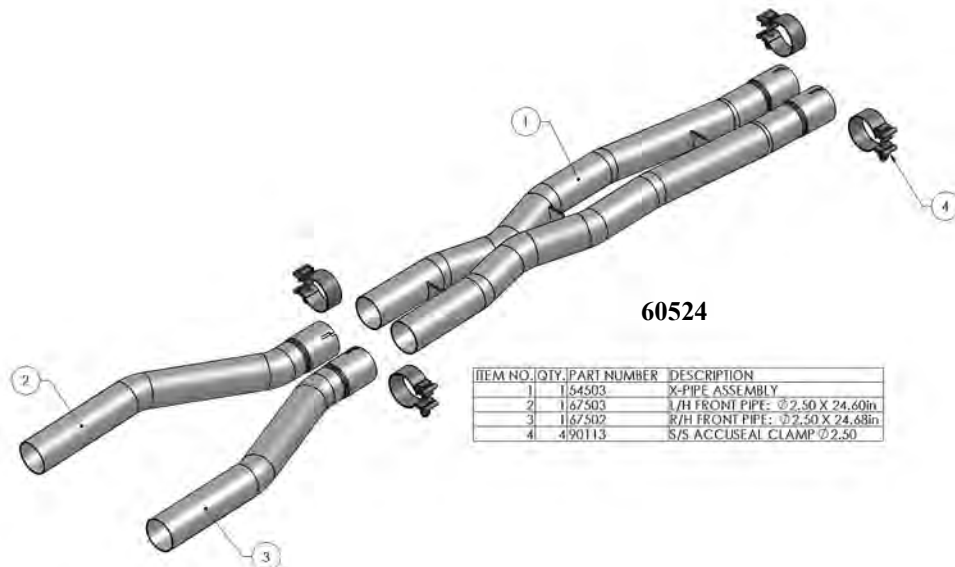
### Borla Performance Bill of Materials



ITEM NO.	QTY.	PART NO.	DESCRIPTION
1	1	5477	R/H MUFFLER ASSEMBLY
2	1	5478	L/H MUFFLER ASSEMBLY
3	2	90113	S/S ACCUSEAL CLAMP Ø2.50



ITEM NO.	QTY.	PART NUMBER	DESCRIPTION
1	1	5477	R/H MUFFLER ASSEMBLY
2	1	5478	L/H MUFFLER ASSEMBLY
3	2	90113	S/S ACCUSEAL CLAMP Ø2.50



ITEM NO.	QTY.	PART NUMBER	DESCRIPTION
1	1	1167503	X-PIPE ASSEMBLY
2	1	1167503	L/H FRONT PIPE: Ø2.50 X 24.60in
3	1	1167502	R/H FRONT PIPE: Ø2.50 X 24.60in
4	2	490113	S/S ACCUSEAL CLAMP Ø2.50

**Caution!!! Never work on a hot exhaust system. Serious injury in the form of burns can result** If the vehicle has been in use and the exhaust system is hot, allow vehicle to cool for at least 1 hour. Always wear eye protection when working under any vehicle.

*Note: It is our recommendation that you use a hoist or hydraulic lift to facilitate the installation of your new Borla Performance Cat-Back™ Exhaust System.*

Taking all under car safety precautions, lift the vehicle using a hoist or hydraulic lift. Once this has been done, you may begin the removal of your old exhaust system from your vehicle.

*Note: Before removing the original exhaust system from your vehicle, please compare the parts you have received with the bill of materials provided on the previous page to assure that you have all the parts necessary for the installation of your new Borla Performance Cat-Back™ Exhaust System.*

## Original Exhaust System Removal

*Note: With a used vehicle, we suggest a penetrating spray lubricant to be applied liberally to all exhaust fasteners and allowing a significant period of time for the chemical to lubricate the threads before attempting to disassemble.*

1. Remove (2) bolts and crossbar. Place this hardware aside for installation later. (See Fig. A)
2. Measure and mark a cutline 10.75" behind catalytic converters on left and right-side pipes. (See Fig. B)
3. Unbolt (4) front flange bolts and put aside for installation later. Support the muffler system using muffler stands. Carefully remove muffler hangers from rubber isolators and remove OE exhaust system. (See Fig. C)
4. Using a metal-cutting blade, cut both pipes as marked in step 2. . De-burr the ends of pipe behind the catalytic converters.
5. Discard rear-section of OE exhaust system.

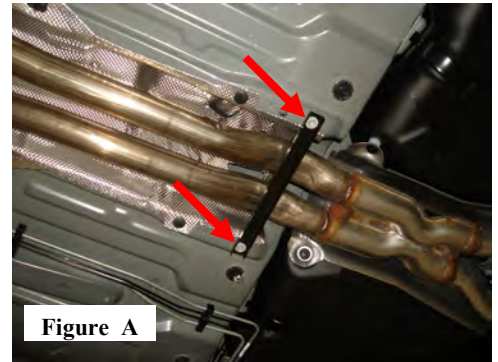


Figure A

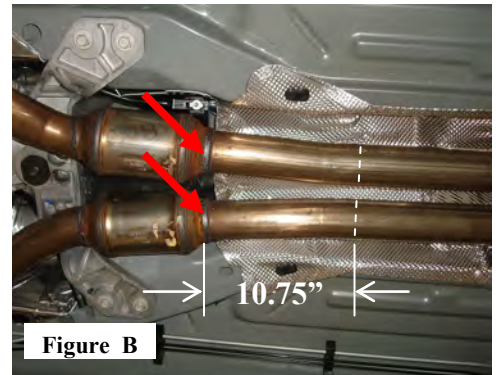


Figure B

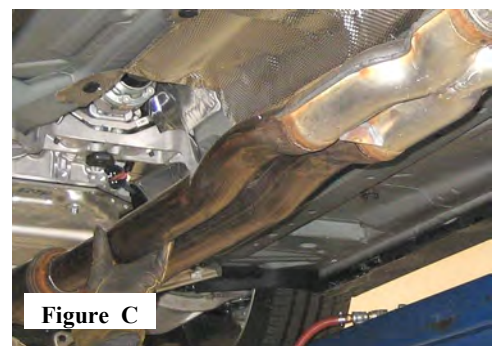


Figure C

**Warning: Use extreme caution during installation. Torque all fasteners according to manufacturer's torque values and tightening sequence. DO NOT use air impact tools to tighten fasteners on Borla Performance Exhaust Systems. Use of such tools may result in bent flanges or gasket contact areas leading to exhaust leaks.**

## Borla Performance Exhaust System Installation

1. Install (cut) left OE front pipe using original hardware put aside. Use muffler stand to support
2. Check your exhaust system for proper clearance under the vehicle and also for tip alignment. Once tip position has been determined to be correct, position clamps making sure the bolt is positioned between the pipe notches. (See Fig. 4 & 5)
3. Tighten clamp bolts to 35 lb.ft. torque.
4. Before starting your vehicle, make sure to check all wires, hoses, brake lines, body parts and tires for safe clearance from the exhaust system.
5. Start vehicle and check for any leaks. If any leaks are found, determine cause (such as loose hardware or incorrectly positioned clamp) and repair as necessary.

***Note: When you first start your vehicle after the installation of your new Borla Performance Exhaust System, there may be some smoke and fumes coming from the system. This is a protective oil based coating used in the manufacturing of mandrel bent performance exhaust tubing. This is not a problem and will disappear within a very short period of time after the exhaust has reached normal operating temperatures.***

Figure 3

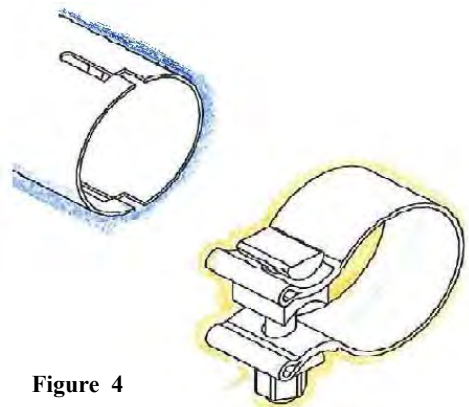


Figure 4

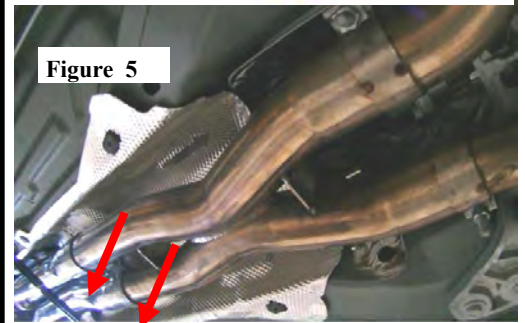


Figure 5

Figure 6

**Caution!!!** *Never work on a hot exhaust system. Serious injury in the form of burns can result* If the vehicle has been in use and the exhaust system is hot, allow vehicle to cool for at least 1 hour. Always wear eye protection when working under any vehicle.

*Note: It is our recommendation that you use a hoist or hydraulic lift to facilitate the installation of your new Borla Performance Cat-Back™ Exhaust System.*

Taking all under car safety precautions, lift the vehicle using a hoist or hydraulic lift. Once this has been done, you may begin the removal of your old exhaust system from your vehicle.

*Note: Before removing the original exhaust system from your vehicle, please compare the parts you have received with the bill of materials provided on the previous page to assure that you have all the parts necessary for the installation of your new Borla Performance Cat-Back™ Exhaust System.*

## Original Exhaust System Removal

*Note: With a used vehicle, we suggest a penetrating spray lubricant to be applied liberally to all exhaust fasteners and allowing a significant period of time for the chemical to lubricate the threads before attempting to disassemble.*

1. From under the vehicle measure 25" from the mid-pipe seam along the right-side mid-pipe and mark the point on the exhaust pipe. Confirm the marks are in correct location and cut the pipe along the marked cut line. Repeat for the left-side mid-pipe. (See Fig.1)
2. Remove the muffler from its rubber hangers and discard the old muffler. (See Fig. 2) De-burr the end of both mid-pipes.



Figure 1

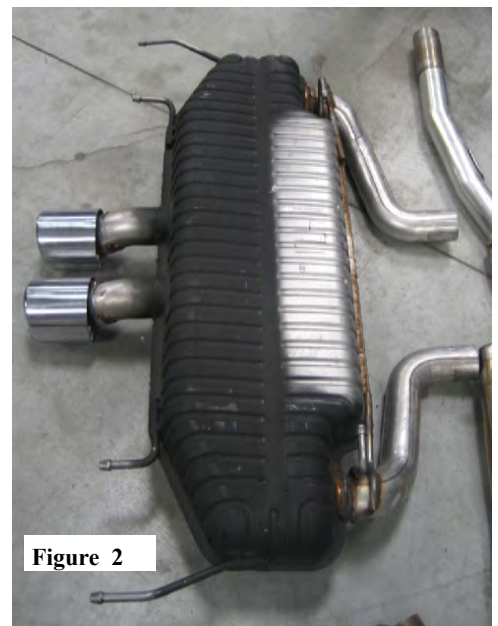


Figure 2

**Warning: Use extreme caution during installation. Torque all fasteners according to manufacturer's torque values and tightening sequence. DO NOT use air impact tools to tighten fasteners on Borla Performance Exhaust Systems. Use of such tools may result in bent flanges or gasket contact areas leading to exhaust leaks.**

## Borla Performance Exhaust System Installation

1. Starting with Right Side Muffler Assembly, place a clamp over inlet pipe and slide over right-side (cut) pipe. Insert hangers into the original rubber isolators. Repeat step one for Left Side Muffler Assembly. (See Fig.3)
2. Check your exhaust system for proper clearance under the vehicle and also for tip alignment. Once tip position has been determined to be correct, position clamps making sure the bolt is positioned between the pipe notches. (See Fig. 4 & 5)
3. Tighten clamp bolts to 35 lb.ft. torque.
4. Before starting your vehicle, make sure to check all wires, hoses, brake lines, body parts and tires for safe clearance from the exhaust system.
5. Start vehicle and check for any leaks. If any leaks are found, determine cause (such as loose hardware or incorrectly positioned clamp) and repair as necessary.

***Note: When you first start your vehicle after the installation of your new Borla Performance Exhaust System, there may be some smoke and fumes coming from the system. This is a protective oil based coating used in the manufacturing of mandrel bent performance exhaust tubing. This is not a problem and will disappear within a very short period of time after the exhaust has reached normal operating temperatures.***



Figure 3

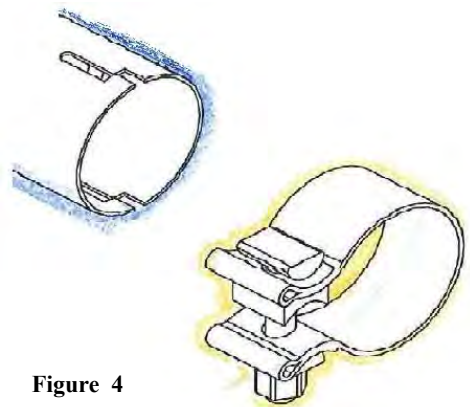


Figure 4

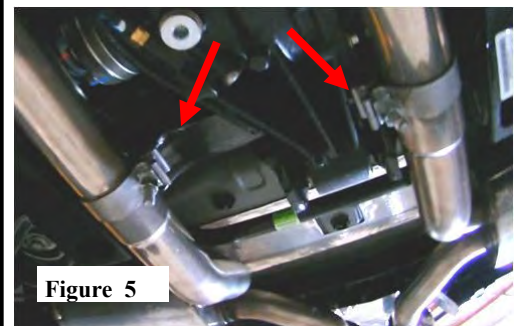


Figure 5



Figure 6