

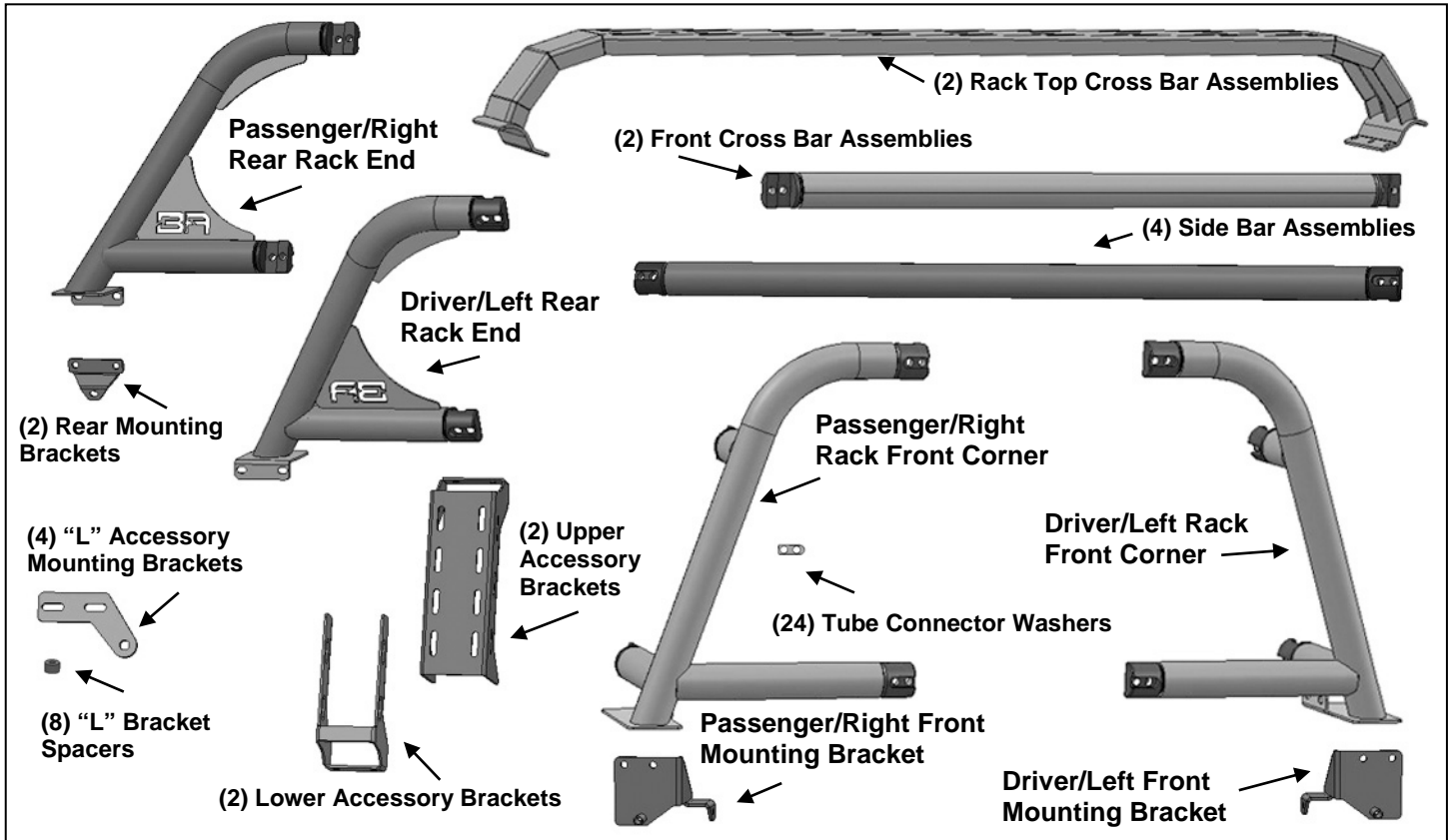


INSTALLATION INSTRUCTIONS

BODY ARMOR OVERLAND BED RACK 16-18 TACOMA DOUBLE CAB SHORT BED

PARTS LIST:

1	Driver/left Front Corner Assembly	24	8-1.25mm x 40mm Socket Head Bolts
1	Passenger/Right Front Corner Assembly	32	8-1.25mm x 20mm Button Head Bolts
1	Driver/left Rear End Assembly	4	8-1.25mm x 16mm Button Head Bolts
1	Passenger/Right Rear End Assembly	8	8-1.25mm x 35mm Hex Bolts
1	Driver/left Front Mounting Bracket	8	8mm x 16mm x 1.6mm Flat Washers
1	Passenger/Right Front Mounting Bracket	64	8mm Nylon Lock Nuts
2	Rear Mounting Brackets	2	8mm Hex Nuts
2	Upper Accessory Mounting Brackets	2	6mm x 45mm Hex Bolts
2	Lower Accessory Mounting Brackets	2	6mm x 12mm x 1.6mm Flat Washers
4	"L" Univ. Accessory Brackets	24	2-Hole Washer for Tube Connectors
8	Round Spacers for "L" Brackets	4	Self-Adhesive Tape
2	Front Cross Brace Assemblies	1	6mm Wrench
4	Side Bar Assemblies	1	5mm Wrench
2	Rack Top Cross Bar Assemblies		



REMOVE CONTENTS FROM BOX. VERIFY ALL PARTS ARE PRESENT. READ INSTRUCTIONS CAREFULLY BEFORE STARTING INSTALLATION. ASSISTANCE IS HIGHLY RECOMMENDED.

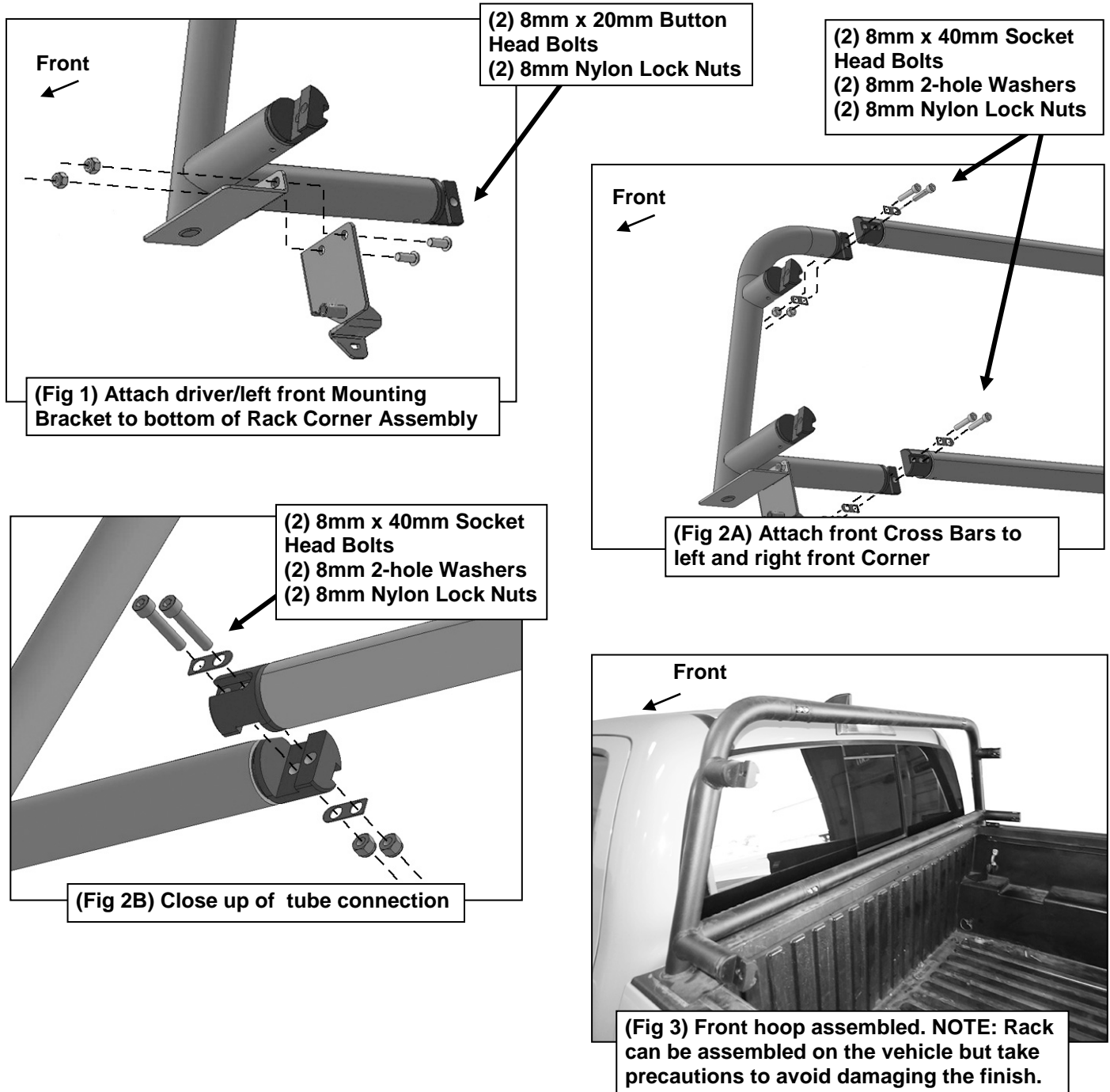
1. Select the driver/left Rack Front Corner and driver/left Front Mounting Bracket, **(Figure 1)**. Attach the Bracket to the bottom of the Rack Corner with (2) 8-1.25mm x 20mm Button Head Bolts and (2) Nylon Lock Nuts. Snug but do not fully tighten Bracket to Rack Corner at this time. Repeat this Step to attach the passenger/right Bracket to the bottom of the passenger/right Rack Corner.
2. Select (1) Front Cross Tube. Attach the connector on the end of the Cross Tube to the lower connector on the Rack Corner with (2) 8-1.25mm x 40mm Socket Head Cap Screws, (2) 2-Hole Washers and (2) 8mm Nylon Lock Nuts, **(Figures 2A & 2B)**. Do not fully tighten at this time. Repeat this Step to attach the lower tube to the passenger/right Rack Corner assembly.
3. Repeat **Step 2** to attach the remaining (1) front cross Tube to the top connectors on the driver and passenger side Rack Front Corner assemblies, **(Figures 2A, 2B & 3)**.
4. Select (1) Side Tube. Repeat **Step 2** to attach the Side Tube to the bottom connector on the driver/left rack Front Corner assembly, **(Figure 4)**. Do not tighten the hardware at this time.
5. Select the driver/left side Rack End Assembly and (1) rear Mounting Bracket, **(Figure 5)**. Attach the Bracket to the bottom of the Rack End with (2) 8-1.25mm x 16mm Short Button Head Bolts and (2) 8mm Nylon Lock Nuts. Do not fully tighten Bracket to Rack End Assembly.
6. Attach the lower Side Tube, **(Step 4)**, to the lower connector on the Rack End Assembly with (2) 8-1.25mm x 40mm Socket Head Cap Screws and (2) 8mm Nylon Lock Nuts, **(Figure 6)**. Do not fully tighten at this time. Repeat this Step to attach the top Side Tube, **(Figures 6 & 7)**.
7. Repeat **Steps 4—6** to assemble the passenger/right side Rack assembly, **(Figure 7)**.
8. Select (1) Rack Top Cross Brace. Temporarily attach the Cross Bar to the last (rear) mounting slots in both of the top Cross Tubes with (6) 8-1.25mm x 20mm Button Head Bolts and (6) 8mm Nylon Lock Nuts, **(Figure 8)**. **IMPORTANT:** Make sure to attach the Cross Brace to the same slots on the Side Tubes. Snug but do not fully tighten all hardware.
9. Move to the truck bed. Remove the factory screw from the front driver side of the bed., **(Figures 9 & 10)**. Next, remove the front mounting bolt attaching the tie down track to the top/side of the bed. Move to the back of the bed. Remove the factory bolt from the driver side of the bed in front of the tailgate opening, **(Figure 11)**. Repeat this Step to remove the hardware from the right side of the bed.
10. With assistance, carefully place the partially assembled Rack onto the top of the truck bed. Reuse the factory screw to attach the driver/left front Bracket to the front of the truck bed, **(Figures 9 & 10)**. Attach the Bracket to the mounting hole in the tie down track with the included (1) 6-1,0mm x 40mm Hex Bolt and (1) 6mm Flat Washer. Reuse the factory hex bolt to attach the rear Mounting Bracket to the side of the bed, **(Figure 11)**. Repeat this Step to attach the passenger/right side of the Rack to the bed. **IMPORTANT:** If the Brackets do not line up with the mounting holes in the bed, it may be necessary to slightly loosen the front or rear Mounting Brackets and slide forward or rearward as needed to line up Brackets with mounting locations, **(Figures 1 & 5)**. Do not tighten hardware at this time.
11. Repeat **Step 8** to attach the remaining Top Cross Brace. **NOTE:** The final location for the (2) Top Cross Braces will be affected by additional accessories not included in the Rack kit. Slide the Cross Braces to the front or rear of the Rack as required to evenly support the weight of any/all accessories.
12. Next, select (1) upper and (1) lower Accessory Side Bracket, **(Figure 12)**. Slide the lower Bracket into the upper Bracket. Attach the Brackets with (4) 8-1.25mm x 20mm Button Head Bolts and (4) 8mm Nylon Lock Nuts. Leave hardware loose at this time.
13. From the back, insert the Accessory Bracket assembly between the top and bottom side Tubes, **(Figure 13)**. Attach the Accessory Bracket to the mounting strip on the back of the side Tubes with (4) 8-1.25mm x 20mm Button Head Bolts and (4) 8mm Nylon Lock Nuts, **(Figures 13 & 14)**. Repeat this step to attach the remaining Accessory Bracket. Do not fully tighten Accessory Bracket hardware until final location is determined. **NOTE:** Accessory Bracket may be installed under Top Cross Braces if necessary. Reuse Cross Brace mounting hardware to attach the Accessory Bracket as needed. Rack is supplied with (2) Accessory Bracket assemblies, additional Bracket kits are available separately.
14. Select (1) universal “L” Mounting Bracket, **(Figure 15)**. Determine a desired location on the Accessory Bracket. Attach the “L” Bracket to the Accessory Bracket assembly with the included (2) 8-1.25mm x

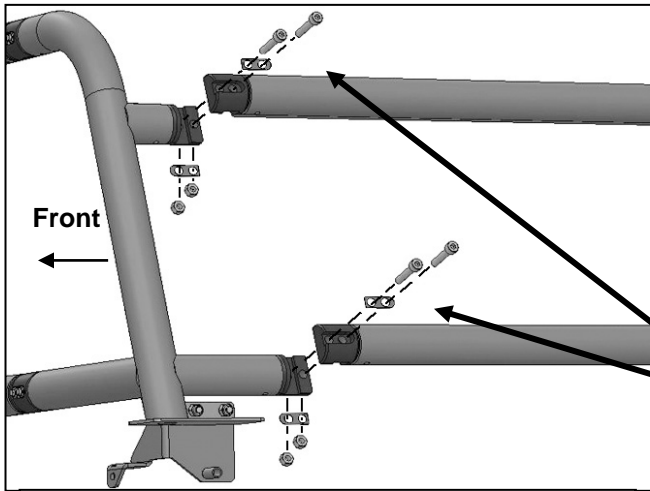
35mm Hex Bolts, (2) Thick Spacers, (4) 8mm Flat Washers and (2) Nylon Lock Nuts. Repeat to install remaining "L" Brackets in desired locations.

15. Center the Overland Rack on the truck, check the alignment and fully tighten all hardware.

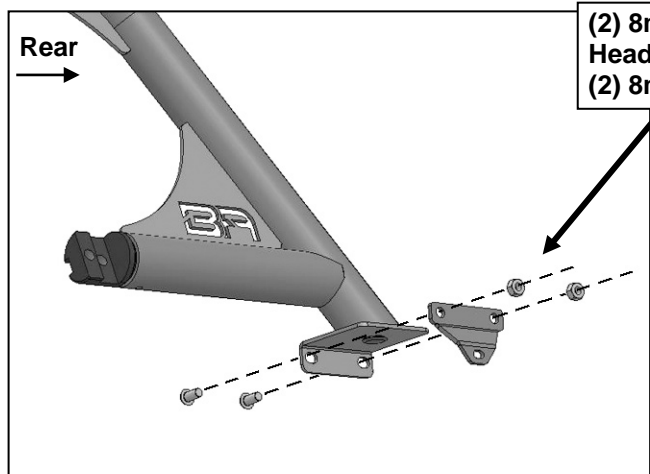
16. Do periodic inspections to the installation to make sure that all hardware is secure and tight.

To protect your investment, wax this product after installing. Regular waxing is recommended to add a protective layer over the finish. Do not use any type of polish or wax that may contain abrasives that could damage the finish.

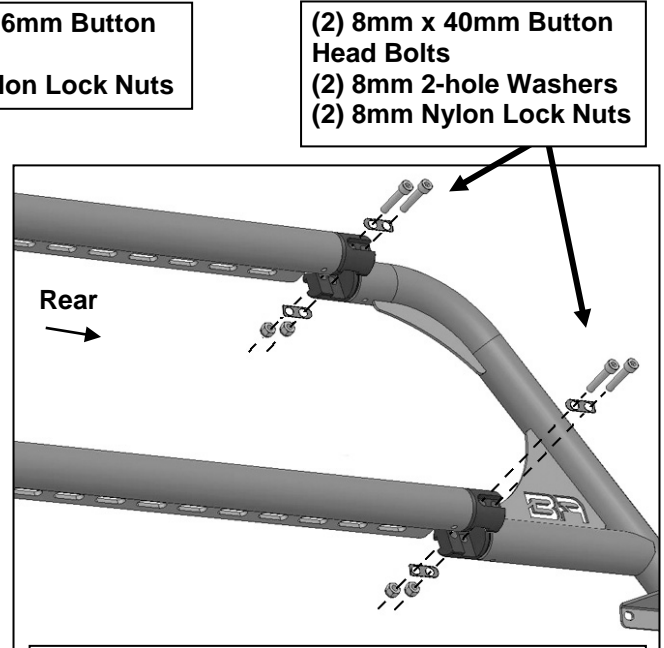




(Fig 4) Attach Side Tubes to Rack front corner assembly (NOTE: Attach lower tube only first).



(Fig 5) Attach (1) rear Mounting Bracket to bottom of the driver/left rear Rack End Assembly

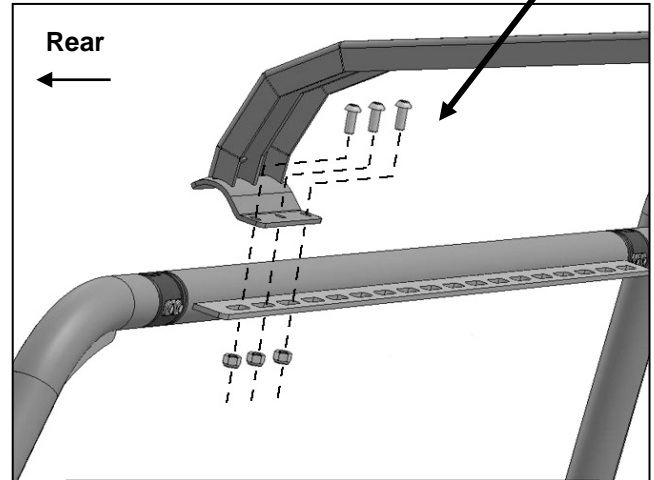


(Fig 6) Attach Side Tube to Rack End assembly (NOTE: Fully install lower tube first).

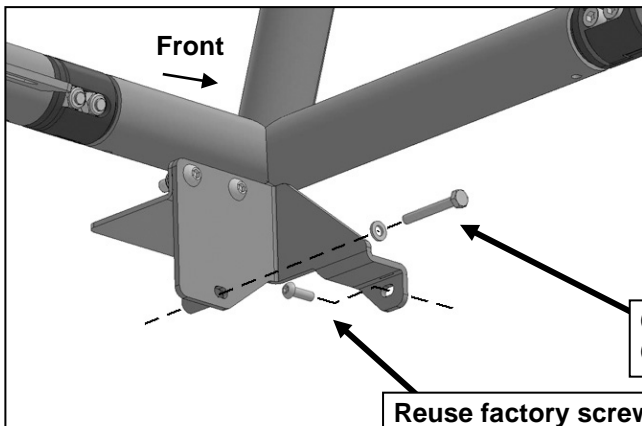


(Fig 7) Front hoop and side fully assembled (passenger/right side pictured)

(3) 8mm x 20mm Button Head Bolts
(3) 8mm Nylon Lock Nuts



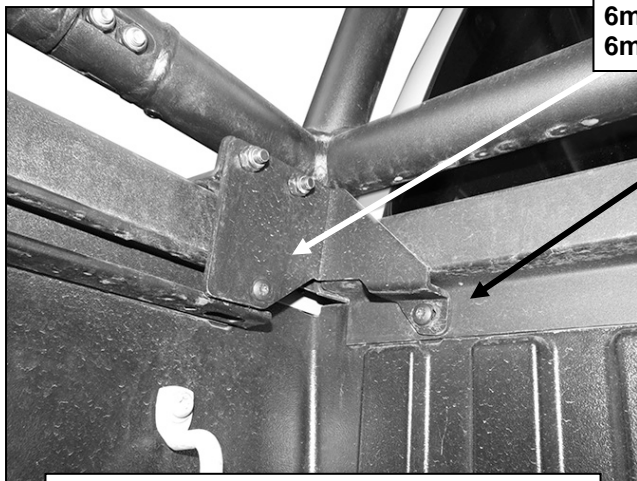
(Fig 8) Attach (1) Top Cross Bar to last (rear) mounting holes in Rack assembly



(Fig 9) Attach driver/left front Mounting Bracket to side and front of bed

6mm x 45mm Hex Bolt
6mm Flat Washer

Reuse factory screw

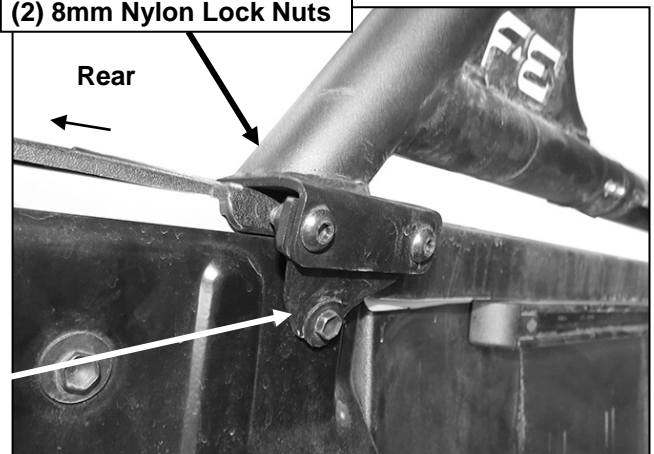


(Fig 10) Attach driver/left front Mounting Bracket to side and front of bed (arrows)

6mm x 45mm Hex Bolt
6mm Flat Washer

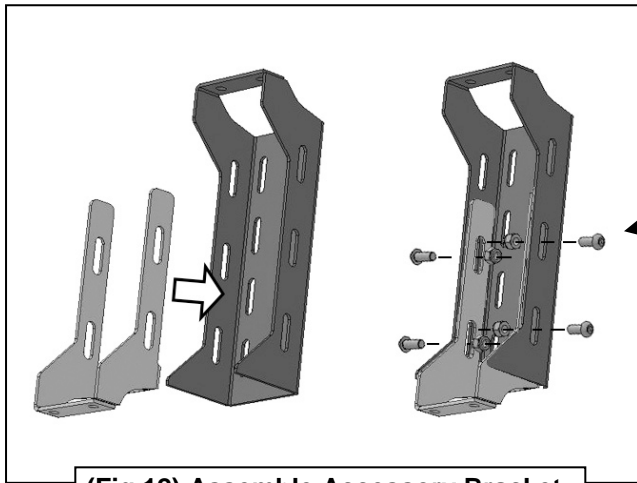
Reuse factory screw

(2) 8mm x 16mm Button Head Bolts
(2) 8mm Nylon Lock Nuts



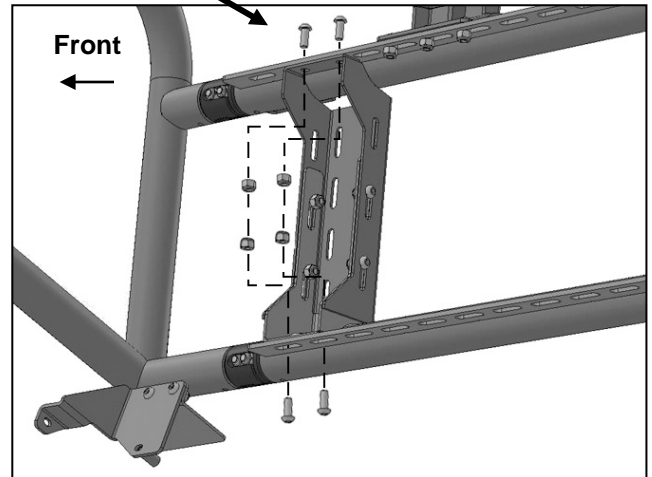
(Fig 11) Reuse factory hex bolt to attach driver/left rear Mounting Bracket to side of bed (arrow)

Reuse factory hex bolt

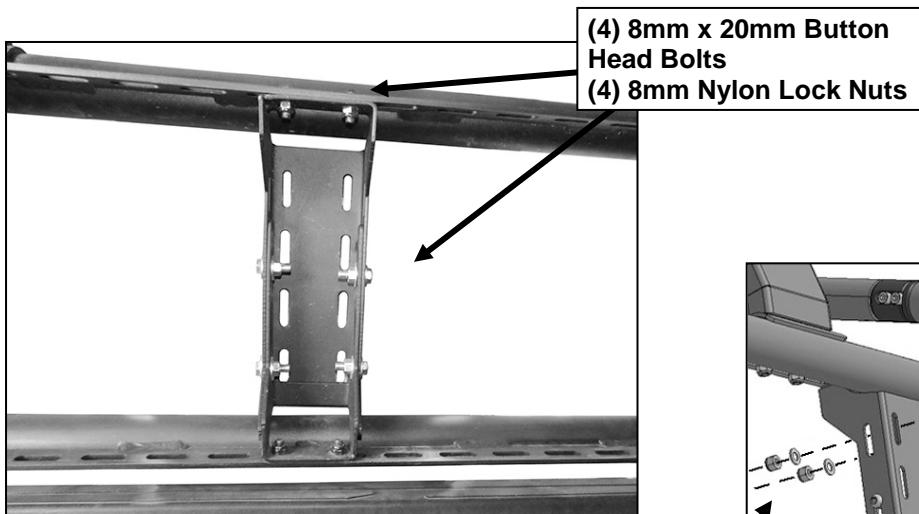


(Fig 12) Assemble Accessory Bracket

(4) 8mm x 20mm Button Head Bolts
(4) 8mm Nylon Lock Nuts



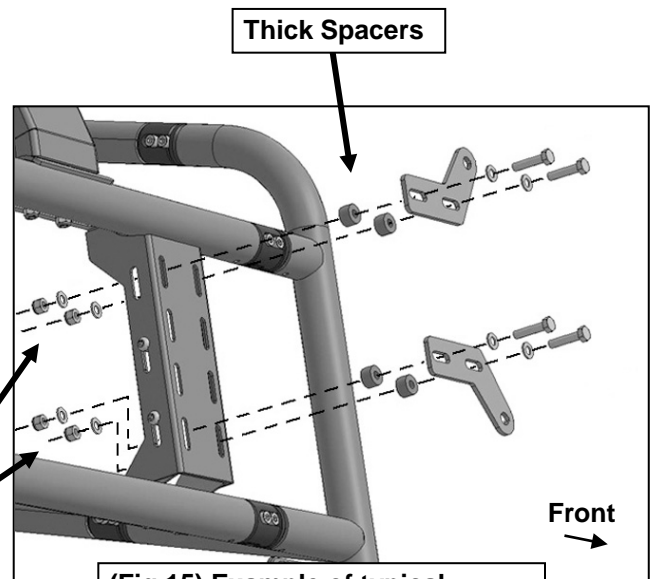
(Fig 13) Attach Accessory Bracket to mounting tracks on back of Side Tubes (passenger/right side front illustrated)



(Fig 14) Accessory Bracket installation pictured from back of Rack

(4) 8mm x 20mm Button Head Bolts
(4) 8mm Nylon Lock Nuts

(2) 8mm x 35mm Hex Bolts
(2) Thick Spacers
(4) 8mm Flat Washers
(2) 8mm Nylon Lock Nuts



(Fig 15) Example of typical Universal "L" Bracket installation

