

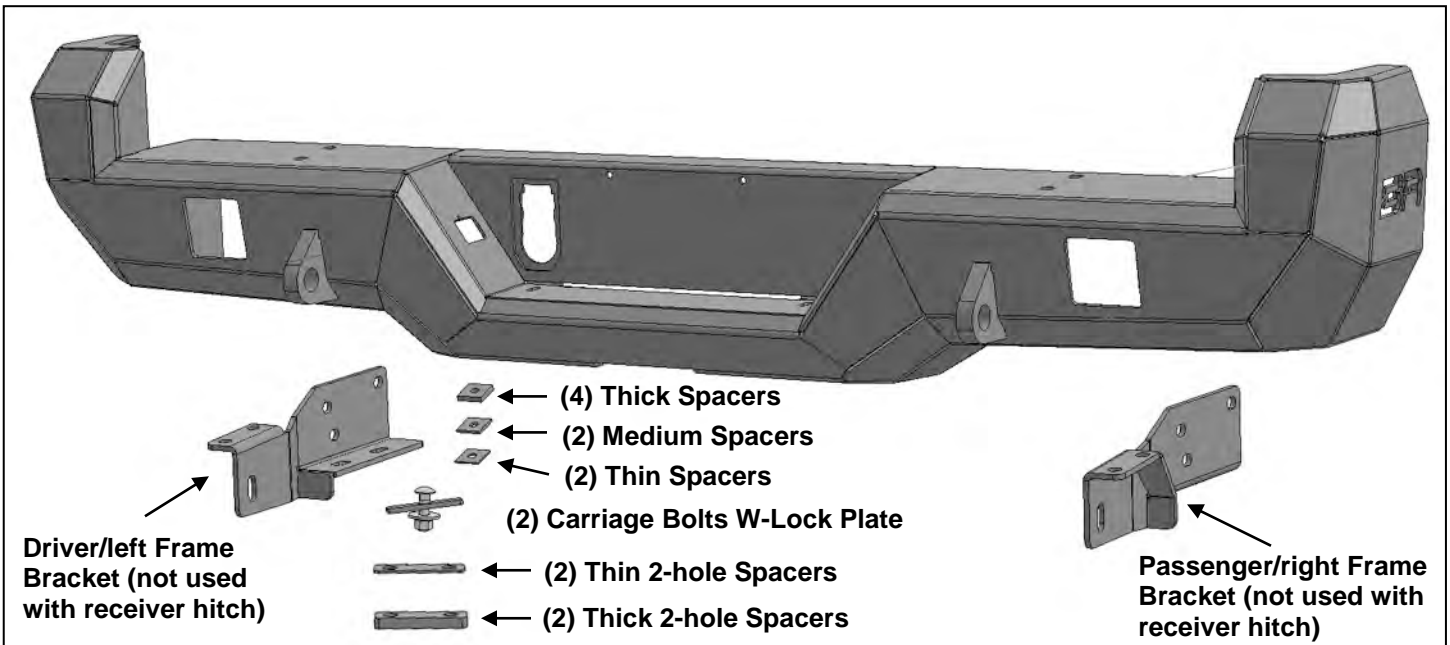


INSTALLATION INSTRUCTIONS

BODY ARMOR REAR BUMPER 2016-18 TOYOTA TACOMA

PARTS LIST:

1	Rear Bumper Assembly	2	12mm Hex Nuts
1	Driver/left Mounting Bracket	6	8-1.25mm x 40mm Button Head Bolts
1	Passenger/right Mounting Bracket	10	8mm x 24mm x 2mm Flat Washer
2	100mm x 30mm x 12mm 2-hole Spacers	6	8mm Lock Washers
2	100mm x 30mm x 3mm 2-hole Spacers	4	8-1.25mm Hex Nuts
4	30mm x 30mm x 6mm Square Spacers	2	6-1.0mm x 20mm Screws
2	30mm x 30mm x 3mm Square Spacers	4	6mm x 18mm x 1.6mm Flat Washers
2	30mm x 30mm x 2mm Square Spacers	2	6mm Lock Washers
2	12mm Lock Plates	2	6-1.0mm Hex Nuts
2	12-1.75mm x 45mm Carriage Bolts	1	5mm Wrench
2	12mm x 37mm x 3mm Flat Washers	1	4mm Wrench
2	12mm Lock Washers	10	Nylon Wire Ties



PROCEDURE:

REMOVE CONTENTS FROM BOX. VERIFY ALL PARTS ARE PRESENT. READ INSTRUCTIONS CAREFULLY BEFORE STARTING INSTALLATION. BUMPER IS DESIGNED TO INSTALL WITH FACTORY RECEIVER HITCH, AFTERMARKET RECEIVER HITCH MAY INTERFERE WITH INSTALLATION. BUMPER IS HEAVY, ASSISTANCE IS RECOMMENDED TO AVOID POSSIBLE INJURY OR DAMAGE TO THE VEHICLE. BUMPER IS NOT COMPATIBLE WITH FACTORY SENSORS AND SYSTEM MUST BE DISABLED.

1. Remove the license plate from the bumper. Unplug the license plate lights, trailer plug, if equipped, and harness leading to bumper, **(Figure 1)**. Move loose harness away from bumper.
2. **Determine if vehicle is equipped with factory receiver hitch**
Models without receiver hitch:



INSTALLATION INSTRUCTIONS

- a. Place blocks or jack stands under the bumper to support it during mounting bolt removal. Once the bumper has been safely supported, remove the factory hex bolts, (3 per side), attaching the bumper brackets to the sides of the frame. **(Figure 2)**. **IMPORTANT:** Assistance is highly recommended to hold bumper in position during bolt removal.
- b. Slide the bumper assembly with brackets off of the vehicle.
- c. Select the driver/left Frame Bracket. Reuse the (3) factory hex bolts to attach the Mounting Bracket to the side of the frame, **(Figure 3)**. **NOTE:** Some vehicles may also be equipped with (2) additional factory bolts threaded into holes in the bottom of the frame. Reuse the (2) factory hex bolts, (if equipped), to attach the Bracket to the threaded holes in the bottom of the frame. Repeat this Step to install the passenger/right Frame Mounting Bracket.

Models with factory receiver hitch:

- a. Remove the plastic cover from the top of the bumper, **(Figure 4)**. **NOTE:** Cover is attached at top, back and bottom by several plastic clips. Use a flat blade screwdriver to carefully release each clip.
 - b. Place blocks or jack stands under the bumper to support it during mounting bolt removal. Once the bumper has been safely supported, remove the factory hex bolts attaching the bumper to the top and bottom of the receiver hitch and remove the bumper, **(Figures 5 & 6)**. **NOTE:** Leave hitch attached to vehicle.
3. Release the clips securing the license plate lights and trailer plug, (if equipped), and remove from the bumper. Remove wiring harness from bumper.
 4. **Optional LED light installation at ends of bumper** (sold separately).
 - a. Follow the light manufacturer's instructions to attach each light to slot in the opening.
 - b. Repeat the previous step for remaining light installation.
 - c. Follow light manufacturer's instructions for adjustment and to properly wire the light to the vehicle electrical system after Bumper installation.
 5. **Select the correct installation for your model.**

Models without factory receiver hitch only:

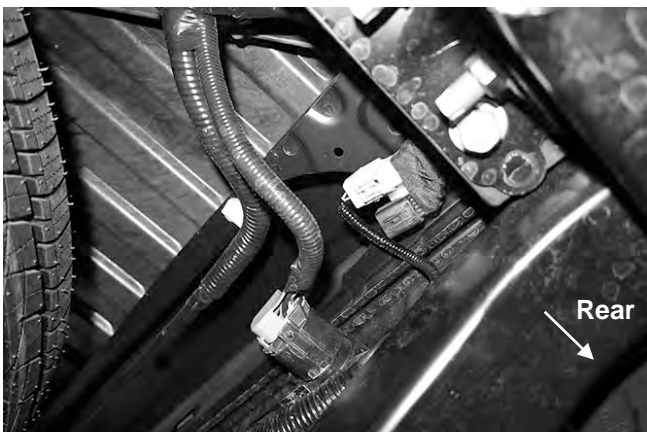
- a. With assistance, hold the Bumper assembly up to the Brackets. Temporarily support the weight of the Bumper. **WARNING:** To avoid possible injury or damage to the vehicle, do not proceed until the bumper is fully and safely supported.
- b. Select (1) 12mm x 45mm Carriage Bolt, (1) 12mm Lock Plate. **(Figure 7)**. Insert the Carriage Bolt through the Plate first, then insert the assembly through the driver/left mounting plate on the back of the Bumper and through the Bracket. **(Figure 8)**. Secure the Bumper to the Carriage Bolt with (1) 12mm Flat Washer, (1) 12mm Lock Washer and (1) 12mm Hex Nut. Snug but do not fully tighten hardware. Repeat this **Step** to attach the passenger/right side of the Bumper to the Bracket.
- c. Carefully lift up on the bumper and insert (1) Thick 2-hole Spacer and (1) Thin 2-hole Spacer between the top of the driver/left Bracket and the underside of the Bumper. **(Figures 9 & 13)**. Line up the holes with the holes in the Bumper. Attach the Bumper to the Spacers and the top of the Bracket with the included (2) 8mm x 40mm Button Head Bolts, (4) 8mm Flat Washers, (2) 8mm Lock Washers and (2) 8mm Hex Nuts. Leave loose. Repeat this **Step** to attach the passenger/right side of the Bumper.

Models with factory receiver hitch:

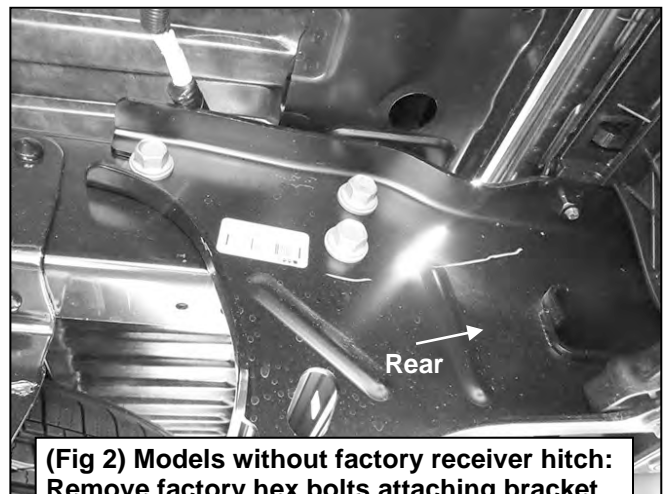
- a. With assistance, hold the Bumper assembly up to the hitch. **(Figure 10)**. Temporarily support the weight of the Bumper. **WARNING:** To avoid possible injury or damage to the vehicle, do not proceed until the bumper is fully and safely supported.
- b. Select (1) 12mm x 45mm Carriage Bolt, (1) Lock Plate. Insert the Carriage Bolt through the Plate first, then insert the assembly through the driver/left mounting plate on the back of the bumper and through the Bracket. **(Figure 11)**. Secure the Bumper to the Bolt and Plate with (1) 12mm Flat Washer, (1) 12mm Lock Washer and (1) 12mm Hex Nut. Snug but do not fully tighten hardware. Repeat this **Step** to attach the passenger/right side of the Bumper to the hitch.

- c. Carefully lift up on the Bumper and insert (1) Thick 2-hole Spacer and (1) Thin 2-hole Spacer between the top of the driver/left Bracket and the underside of the Bumper. **(Figures 12 & 13)**. Line up the holes with the holes in the Bumper. Attach the Bumper to the Spacers and the top of the Bracket with the included (2) 8mm x 40mm Button Head bolts, (2) 8mm Lock Washers and (2) 8mm Flat Washers. Leave loose. Repeat this Step to attach the passenger/right side of the Bumper to the top of the hitch.
 - d. With the bumper loosely attached but level, locate the (2) mounting holes in the step area of the bumper. From below, note the gap at the center between the mounting tabs on the rear facing side of the hitch and the underside of the bumper. (3) different thicknesses of small spacers have been included. Select (1) Thick Spacer first and any combination of spacers to fill the gap between the Bumper and the mounting tabs. **(Figures 12 & 13)**. Repeat to attach both sides of the step area to the hitch. Make sure to use the same combination of Spacers for both mounting locations.
 - e. Attach the center of the Bumper to the threaded holes in the hitch with the included (2) 8mm x 40mm Button Head Bolts, (2) 8mm Lock Washers and (2) 8mm Flat Washers. **(Figures 12 & 13)**. Insert the Bolts and Washers down through the step area of the Bumper, through the Spacers and into the threaded weld nuts on the hitch. Snug but do not fully tighten hardware at this time.
6. Slowly open tailgate and check for clearance. Level and adjust the Bumper, (add or remove Spacers), and fully tighten all hardware including the Mounting Bracket to Bumper hardware.
 7. Install the license plate lights. **NOTE:** On some models, the locating tab on the light will need to be cut or ground off of the light housing to fit into the opening in the bumper, **(Figure 14)**. Also install the towing harness plug (if equipped) into the Bumper, **(Figure 15)**. Use the included Wire Ties to secure the factory wiring harness to the bumper as necessary.
 8. Attach the license plate to the (2) holes in the Bumper with the included (2) 6mm Screws, (4) 6mm Flat Washers, (2) 6mm Lock Washers and (2) 6mm Hex Nuts. **(Figure 15)**.
 9. Do periodic inspections to the installation to make sure that all hardware is secure and tight.

To protect your investment, wax this product after installing. Regular waxing is recommended to add a protective layer over the finish. Do not use any type of polish or wax that may contain abrasives that could damage the finish. Mild soap may be used to clean the Bumper assembly.



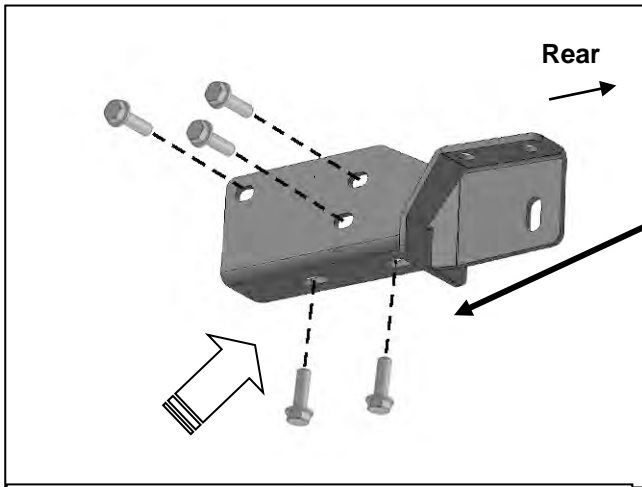
(Fig 1) Unplug and remove 7-wire trailer plug, unplug license plate lights and sensors if equipped



(Fig 2) Models without factory receiver hitch: Remove factory hex bolts attaching bracket to side of frame (driver/left side pictured)

WARNING! Do not remove bumper bolts unless the bumper is properly supported on blocks or stands or the bumper may fall.

Driver/left Side Installation Pictured



Reuse factory hex bolts if equipped

(Fig 3) Models without factory receiver hitch: Reuse (3) factory hex bolts to attach Bumper Bracket to side of frame (driver/left illustrated). On some models, the vehicle may also be equipped with (2) additional hex bolts threaded into the holes in the bottom of the frame (arrow). Reuse the (2) hex bolts to attach the Bracket to the bottom of the frame if equipped.

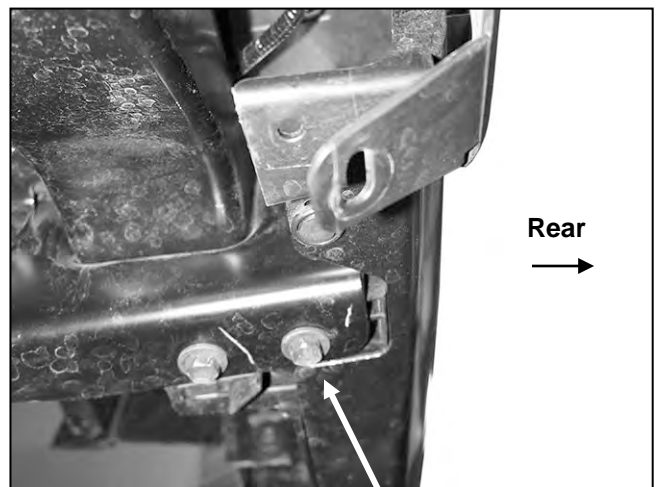


(Fig 4) Models with receiver hitch, remove plastic cover from top of bumper



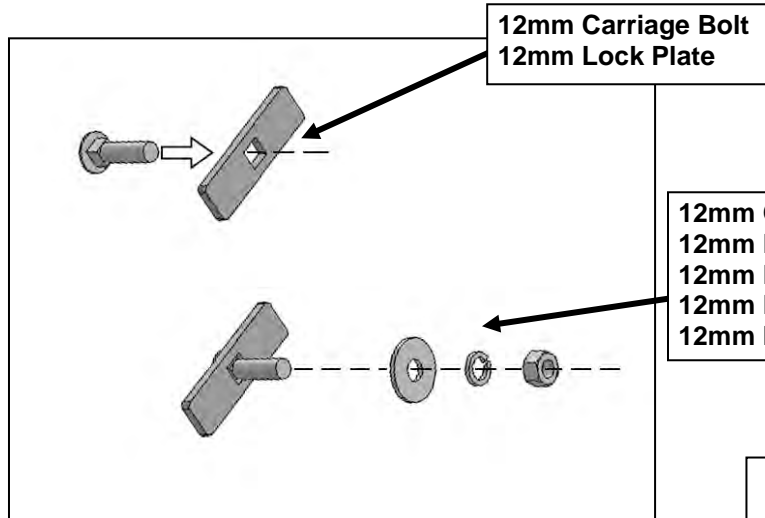
(Fig 5) Models with receiver hitch, remove the hex bolts attaching bumper to top of hitch

WARNING! Do not remove bumper bolts unless the bumper is properly supported on blocks or stands or the bumper may fall.

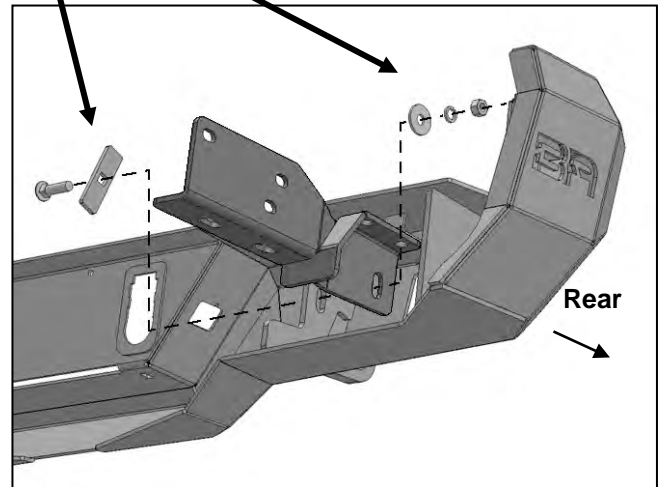


(Fig 6) Models with receiver hitch, remove the hex bolts attaching bumper to bottom of hitch

Driver/left Side Installation Pictured

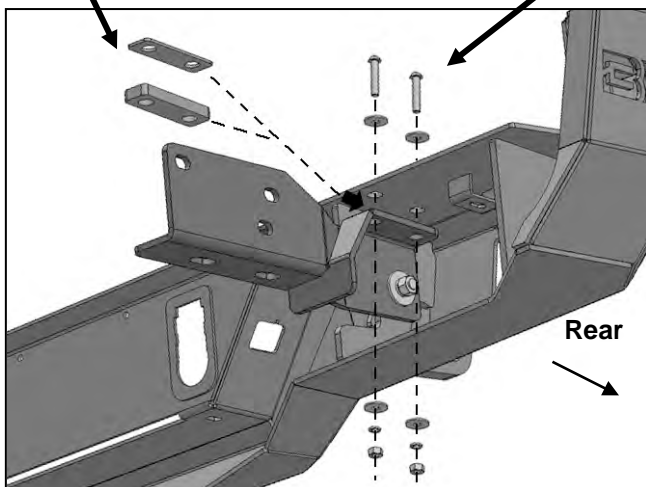


(Fig 7) Select (1) 12mm Carriage Bolt and (1) 12mm Lock Plate (top). Insert Bolt through Lock Plate



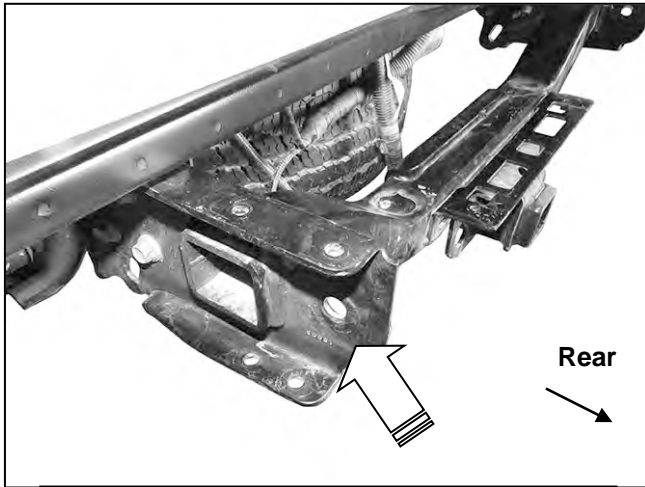
(Fig 8) Models without factory receiver hitch: Use Carriage Bolt and Lock Plate to attach Bumper to Bracket, (driver/left illustrated)

- (1) Thick 2-hole Spacer
- (1) Thin 2-hole Spacer
- (2) 8mm Button Head Bolts
- (4) 8mm Flat Washers
- (2) 8mm Lock Washers
- (2) 8mm Hex Nuts



(Fig 9) Models without factory receiver hitch: Insert (1) Thick and (1) Thin 2-hole Spacer Between top of Bracket and bottom of Bumper (driver/left illustrated)

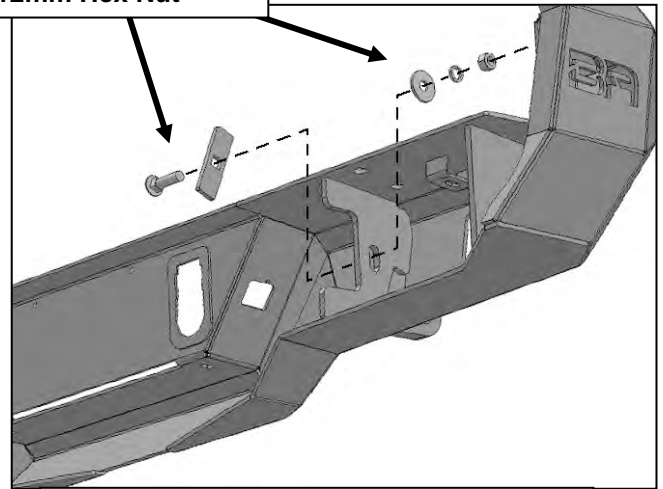
Driver/left Side Installation Pictured



(Fig 10) Model with factory receiver hitch: Use Carriage Bolt and Lock Plate to attach Bumper to holes in side plates on factory hitch (arrow). Also see Figures 7 & 8

WARNING! Do not remove bumper bolts unless the bumper is properly supported on blocks or stands or the bumper may fall.

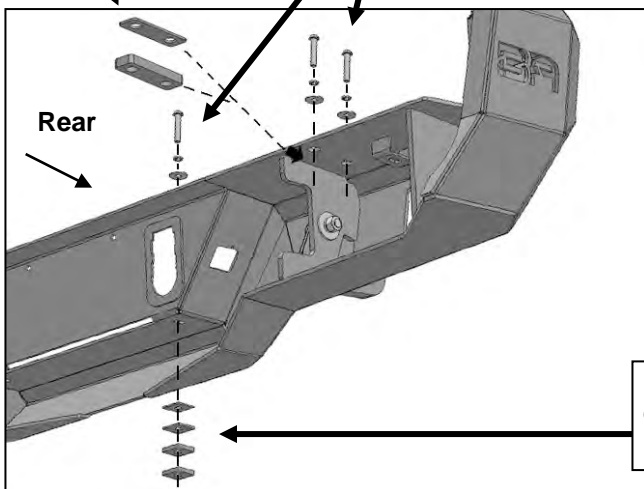
- 12mm Carriage Bolt
- 12mm Lock Plate
- 12mm Flat Washer
- 12mm Lock Washer
- 12mm Hex Nut



(Fig 11) Model with factory receiver hitch: Attach Bumper to side and bottom of hitch (driver/left illustrated)

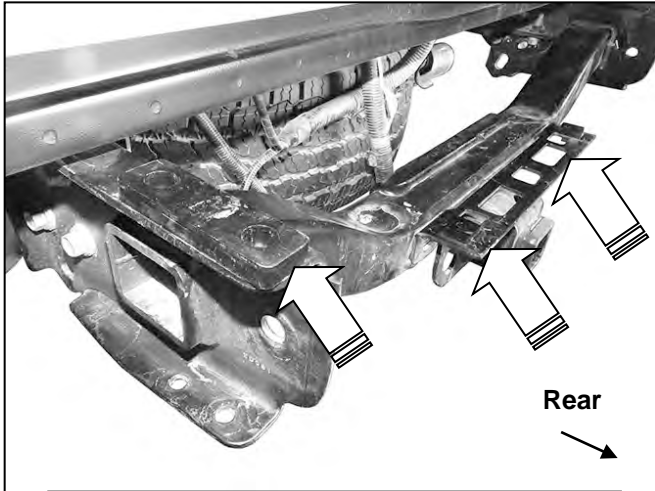
- (1) Thick 2-hole Spacer
- (1) Thin 2-hole Spacer

- (3) 8mm Button Head Bolts
- (3) 8mm Lock Washers
- (3) 8mm Flat Washers



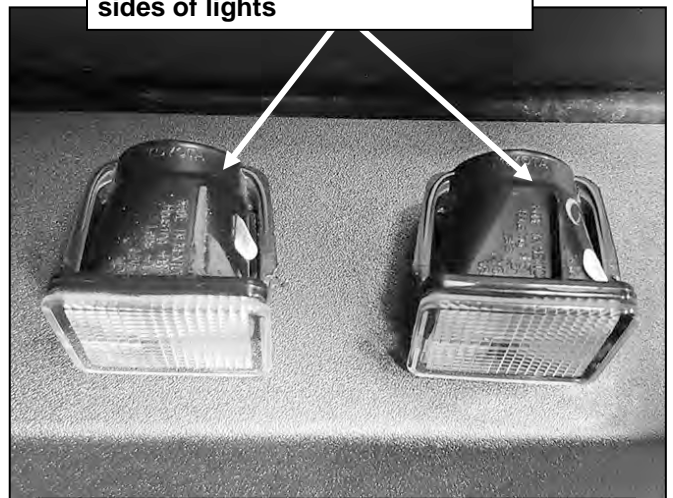
(Fig 12) Models with factory receiver hitch: Insert (1) Thick and (1) Thin 2-hole Spacer Between top of hitch and bottom of Bumper. Use Square Spacers to fill gap between center mounting tabs on hitch and bottom of step area on Bumper (driver/left illustrated)

Use Square Spacers to fill gap between center mounting tabs on hitch and bottom of step area on Bumper



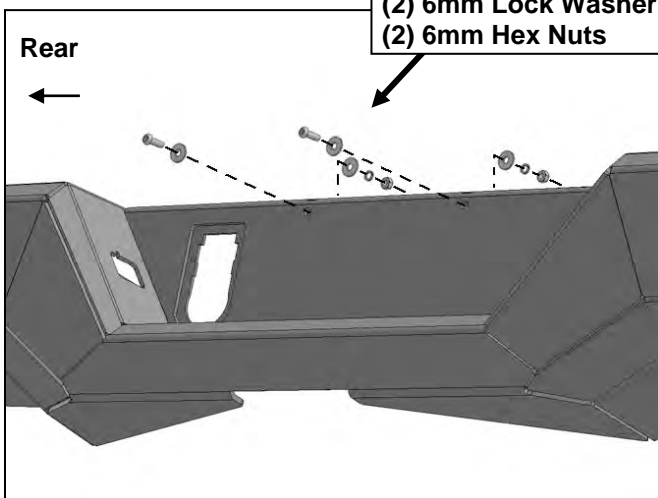
(Fig 13) Mounting locations (arrows) pictured with bumper removed for example only to show locations for Spacers

Cut, file or grind off locating tab from light housings as required. Do not cut off mounting clips on sides of lights



(Fig 14) Attach license plate lights to bumper

- (2) 6mm Screws
- (4) 6mm Flat Washers
- (2) 6mm Lock Washers
- (2) 6mm Hex Nuts



(Fig 15) Attach license plate, license plate lights and tow harness plug to bumper