



INSTALLATION INSTRUCTIONS

Installation instructions for Toyota Tacoma TC-2961 Rear bumper

Fits 2005-2011 Toyota Tacoma

**** Inspect bumper and all parts prior to installation.**

Hardware list:

	TC-2961
QTY 8	M12X1.75X40mm
QTY 8	M12X1.75 nut
QTY 26	M12 Washer
QTY 10	M12X1.25X65mm

Removing Factory bumper:

- 1 Remove plastic center section from top of rear bumper, and from under license plate
- 2 Disconnect license plate light.
- 3 Remove bolts securing bumper skin to frame and receiver brackets.
- 4 Remove bumper skin at this time.

Bumper Installation for TC-2961:

We recommend you have help with lifting of the rear bumper to avoid injury or damage to bumper and vehicle.

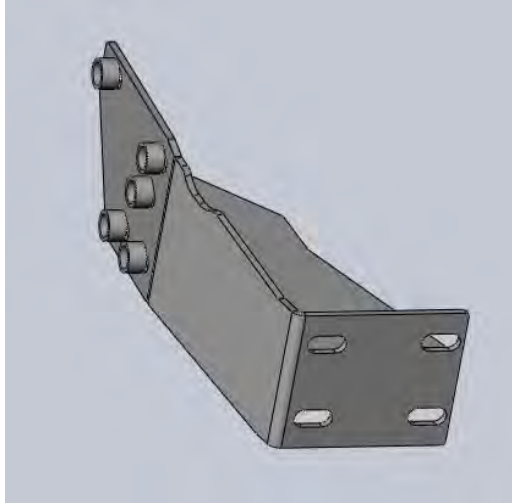
- 1 Remove 5 right side bolts securing bumper and or receiver mount to frame only





INSTALLATION INSTRUCTIONS

- 2 Install right side bracket with spacers and M12x1.25x65mm bolts and washers. Leave loose at this time.
- 3 Repeat above step on left side.



- 4 Using M12x1.75x40mm bolts, washers and nuts attach TC-2961 with D-ring plates to bumper brackets.



- 5 Align bumper to body and tighten all hardware at this time
- 6 Check for clearance when tailgate is open.
- 7 Install d-rings.(Sold separately PN 3202)



INSTALLATION INSTRUCTIONS

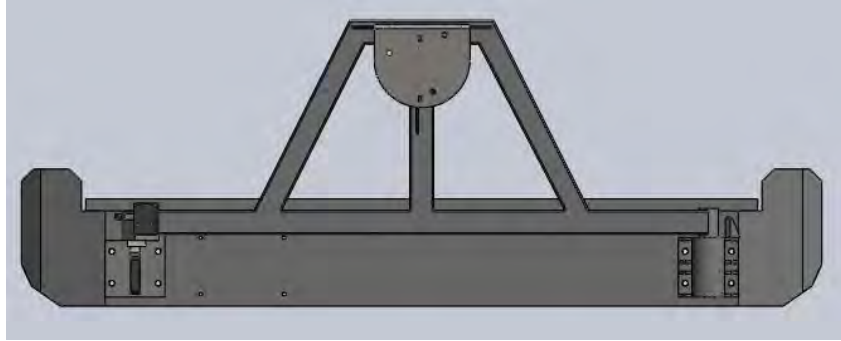
Installing TC-5293 Swing Arm tire Carrier to TC-2961

Grease bearings and bearing races at this time.

- 1 Install races into spindle mount.
- 2 Install large bearing and seal in spindle mount
- 3 Using M12x1.75x40mm bolts, washers and nuts install spindle mount and latch mount to bumper and bumper brackets. Leave loose at this time.



- 4 Install swing arm onto pivot mount and install small bearing, large washer, and castle nut. Tighten castle nut to 80 to 100 ft/lbs.
- 5 Install dust cap with cup side up. Use set screw to secure the cap.
- 6 Install cam lock latch to swing arm using four button head screws with washers and tighten.



Note: the properly adjusted cam lock will close the carrier tight against the stop and can be latched using one hand with 20 to 25 pounds of force.

- 7 Loosely install the tire carrier plate to swing arm.
- 8 Set spare tire on tire carrier plate. With tire tight and square against swing arm leave 3/8" gap between wheel and carrier plate.

- 9 Tighten carrier plate at this time.
- 10 Tighten spare tire lug nuts at this time.

Note: Recheck all hardware after the first couple hundred miles. It is advised to inspect the bumper and hardware periodically.

**** Body Armor provides a dual step paint process, a base E-coat with a textured power coat exterior paint. This is very durable and corrosion resistant process however rust can still occur. We warranty the finish for manufacturer defects for a period of 90 days from the date of purchase. Surface rust is not considered a manufacturer defect, rust from rock chips or trail scratches are also not considered a manufacturer defect. It is the responsibility of the owner to touch up any rock chips or scratches. Use of a flat black paint sprayed on a piece of foam can be used to touch up any scratches. Surface rust can be cleaned with spray lubricants such as WD-40.**