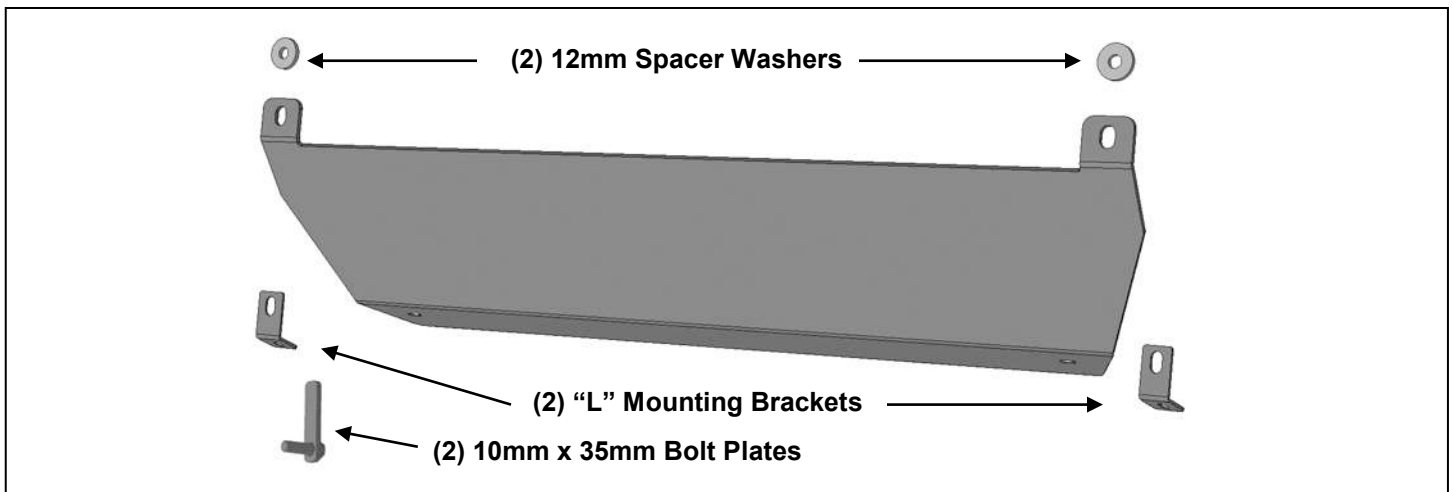


FRONT BUMPER SKID PLATE 2018 JEEP WRANGLER JL & 2020 JEEP GLADIATOR PART #JL-5123

PARTS LIST:

1	Front Bumper Skid Plate	2	10mm Nylon Lock Nuts
2	"L" Brackets	2	6mm x 15mm Button Head Bolts
2	12mm x 32mm x 5mm Spacer Washers	4	6mm x 15mm x 1.6mm Flat Washers
2	10mm x 35mm Bolt Plates	2	6mm Nylon Lock Nuts
2	10mm x 24mm x 2mm Flat Washers	1	4mm Allen Wrench



PROCEDURE:

REMOVE CONTENTS FROM BOX. VERIFY ALL PARTS ARE PRESENT. READ INSTRUCTIONS CAREFULLY BEFORE STARTING INSTALLATION. ASSISTANCE IS REQUIRED.

1. Follow instructions to fully install and align Body Armor Bumper before installing Skid Plate.
2. Remove the factory steel cover, (plastic splash guard bracket), from the front facing side of the lower frame if equipped, **(Figure 1)**.
3. Determine if the front of the lower frame is equipped with a threaded insert.

Models with threaded insert (used to attach factory steel cover-plastic splash guard bracket).

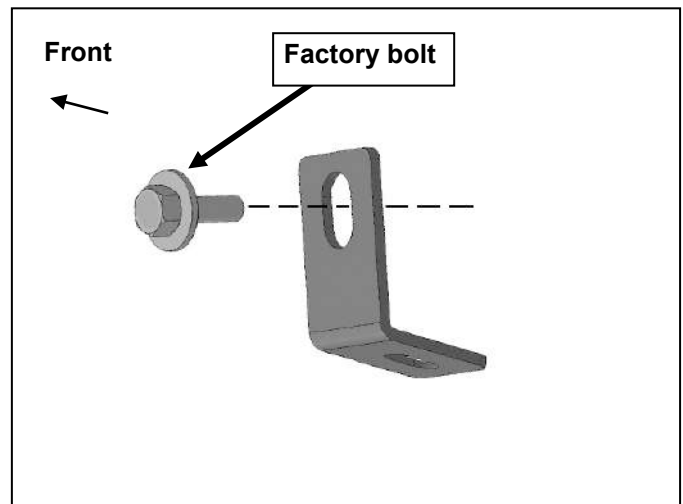
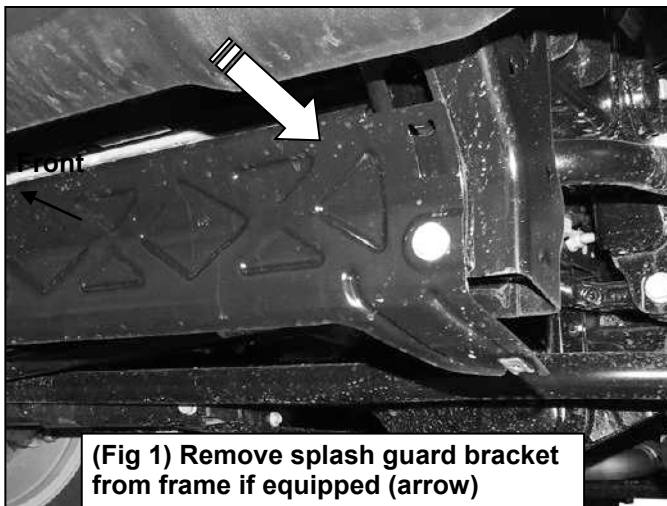
- a. Select (1) "L" Bracket, **(Figure 2)**. Reuse the lower factory hex bolt removed in **Step 2** to attach the "L" Bracket to the threaded hole in the front facing side of the lower frame, **(Figure 3)**. Do not tighten at this time. Repeat this Step to install the remaining "L" Bracket on the passenger/right side of the frame.

Models without threaded insert (hex shaped hole in front of frame-see **Figure 4**)

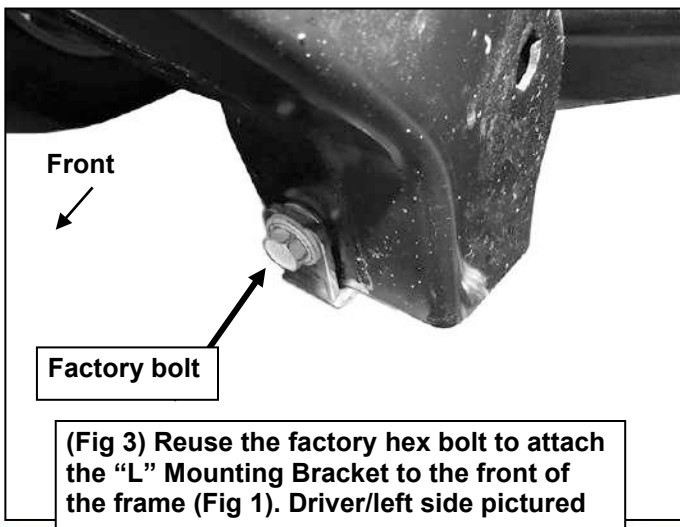
- a. Select (1) 10mm Bolt Plate. Insert Bolt Plate up through opening in bottom of frame and out through hex hole in front of lower frame, **(Figure 4)**.
 - b. Select (1) "L" Bracket, **(Figure 5)**. Attach "L" Bracket to Bolt Plate with (1) 10mm Flat Washer and (1) 10mm Nylon Lock Nut. Do not tighten at this time. Repeat this Step to install the "L" Bracket on the passenger/right side of the frame.
4. Start under the driver/left side of the Body Armor front bumper. Remove the outer/top Nylon Lock Nut and Flat Washer attaching the Bumper to the frame bracket. Also remove the outer/lower Hex Bolt, Lock Washer and Flat Washer. Loosen the hex bolt attaching the outer bumper support bracket to the side of the frame and slide the support bracket back to remove it, **(Figures 6 & 7)**. Repeat this **Step** to remove the passenger/right outer support. **IMPORTANT:** Only remove the outer hardware, do not loosen or remove the inner Bumper mounting hardware. Once Skid Plate is installed, Inner hardware may be difficult to access once Skid Plate is installed.

5. Slide (1) 12mm Thick Spacer Washer over the top “Bolt” part of the Bolt/Nut Plate, **(Figure 8)**.
6. Repeat **Steps 4 & 5** to remove the passenger/right bumper support and install the Spacer Washer.
7. With assistance, hold the Skid Plate up to the back of the bumper brackets. Line up the mounting tab on the top of the Skid Plate with the lower mounting hole in the bumper bracket, **(Figure 8)**.
8. Slide the outer bumper support into position over the Skid Plate and Spacer Washer. Reuse the hardware removed in **Step 4** to attach the bumper support to the tab on the Skid Plate and the upper Spacer Washer, **(Figure 9)**. Do not tighten hardware at this time. Repeat this Step to attach the passenger/right side of the Skid Plate to the support bracket and bumper bracket.
9. Next, line up the slots in the lower part of the Skid Plate with the (2) “L” brackets installed in **Step 3**. Attach the Skid Plate to the “L” Brackets with (2) 6mm Button Head Bolts, (4) 6mm Flat Washers and (2) 6mm Nylon Lock Nuts, **(Figure 10)**.
10. Level and adjust the Skid Plate as required. Once properly aligned, fully tighten the bumper to frame bracket hardware first, then tighten the support bracket to side of frame hardware. Continue to tighten remaining hardware.
11. Do periodic inspections of the installation to make sure that all hardware is secure and tight.

Driver/left Side Installation Pictured



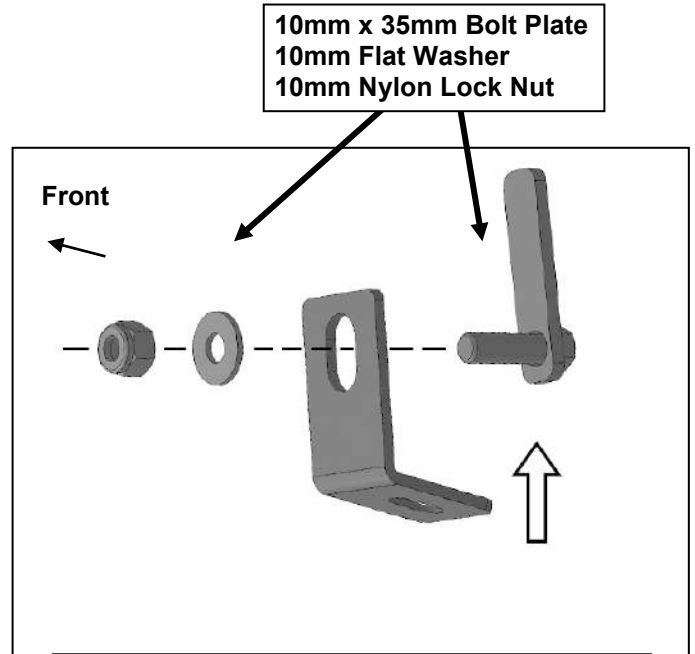
(Fig 2) Models with threaded insert in frame- reuse the factory hex bolt to attach the “L” Mounting Bracket to the front of the frame (Fig 1)



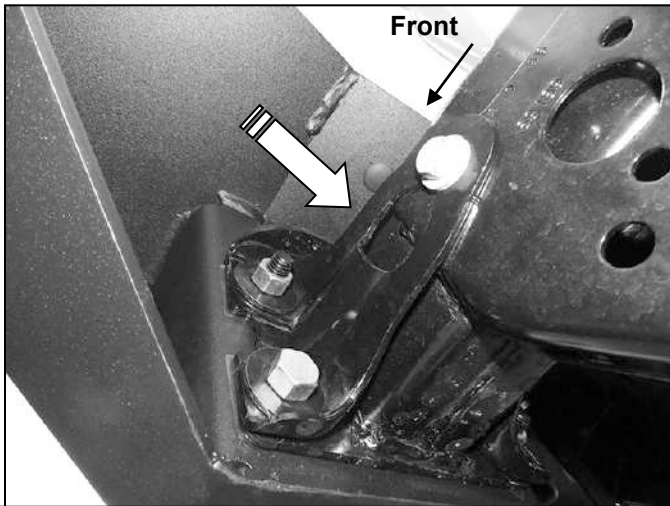
Driver/left Side Installation Pictured



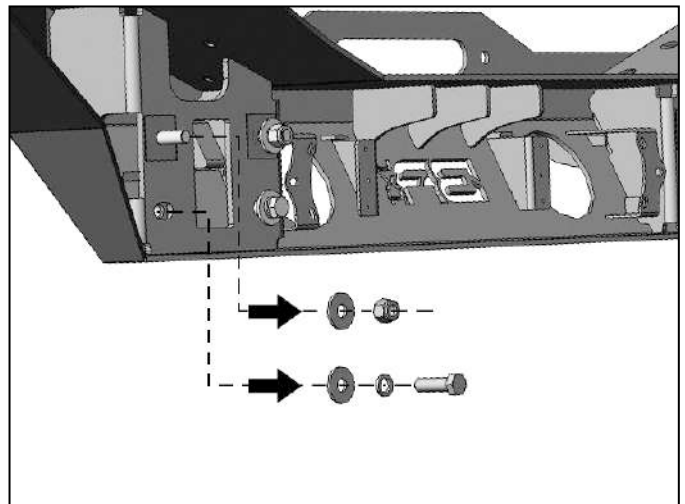
(Fig 4) Models with open hex-shaped hole in frame-insert 10mm Bolt Plate up into open end of frame and out through hex hole in front of frame (passenger/right side of frame pictured)



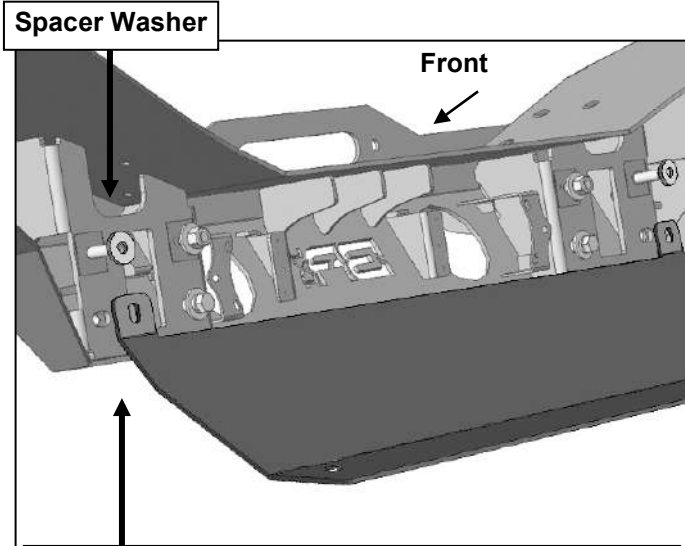
(Fig 5) Attach "L" Bracket to 10mm Bolt Plate



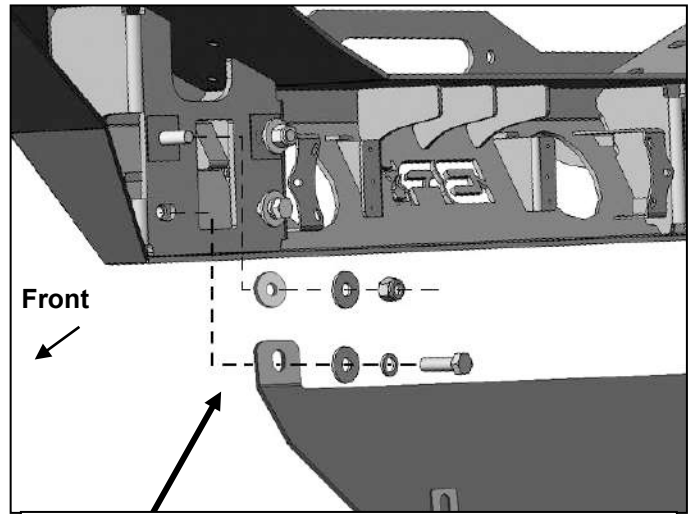
(Fig 6) Temporarily remove outer bumper bracket support (driver/left side pictured)



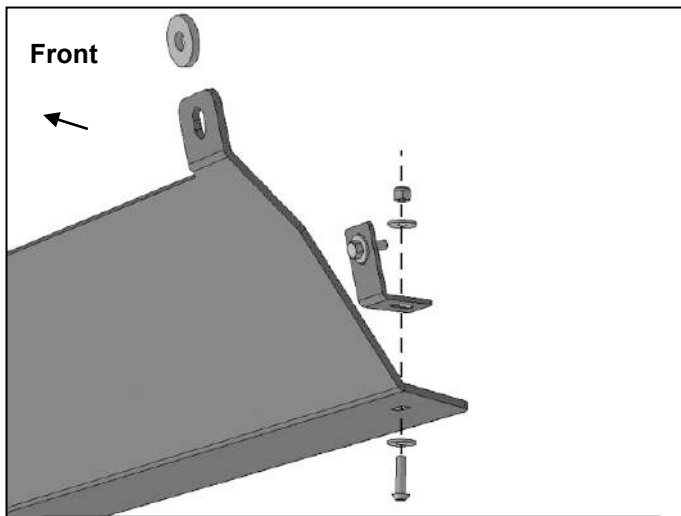
(Fig 7) Temporarily remove the outer bumper bracket support (Fig 2). Do not remove the Bolt/Nut Plate from the Bumper



(Fig 8) Line up the tab on the Skid Plate with the lower mounting hole in the back of the bumper bracket. Slide (1) Spacer Washer over the threaded end of the Bolt/Nut Plate.



(Fig 9) Reuse the hardware removed in Figures 4 and 5 to reinstall the outer bumper support (Fig 4) over the Spacer Washer and Skid Plate



(Fig 10) Attach the lower end of the Skid Plate to the "L" Bracket (driver/left side illustrated)