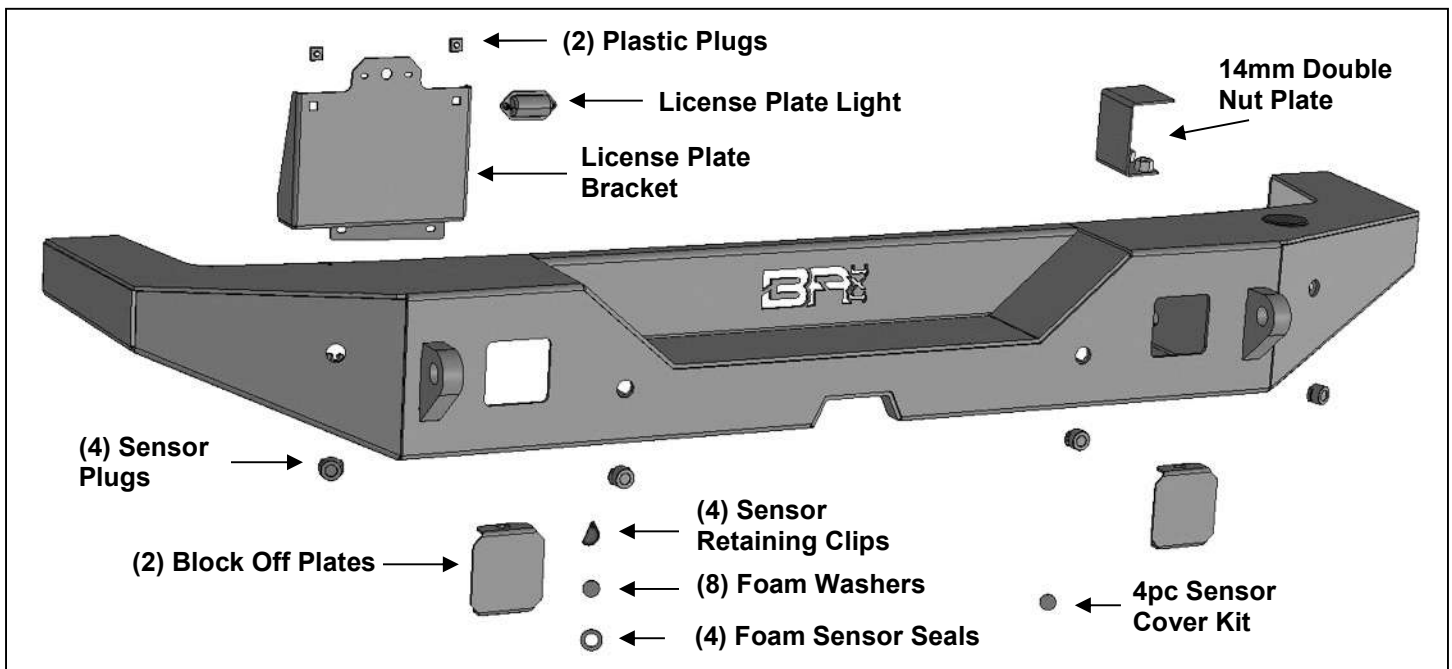


2019-2020 WRANGLER JL FULL WIDTH REAR BUMPER (FITS 5298 CARRIER) PART #JL-2965

PARTS LIST:

1	Rear Bumper	2	14-1.5mm x 40mm Hex Bolts
2	Bumper Fill Panels	4	14mm x 28mm x 3mm Flat Washers
1	License Plate Bracket	4	14mm Lock Washers
1	License Plate Light	2	14-1.5mm Fine Thread Hex Nuts
2	Plastic Plugs	4	6-1.0mm x 20mm Button Head Combo Bolts
4	Sensor Retaining Clips	2	6-1.0mm x 16mm Button Head Combo Bolts
4	Sensor Foam Front Sealing Washers	2	6mm x 12mm x 1.6mm Flat Washers
8	Sensor Foam Spacers	6	6-1.0mm Flange Nuts
1	Sensor Cover Kit	1	4mm Wrench
4	Sensor Hole Plugs	2	Wire Quick Taps
1	14-1.5mm Double Nut Plate	2	200mm Plastic Wire Ties



PROCEDURE:

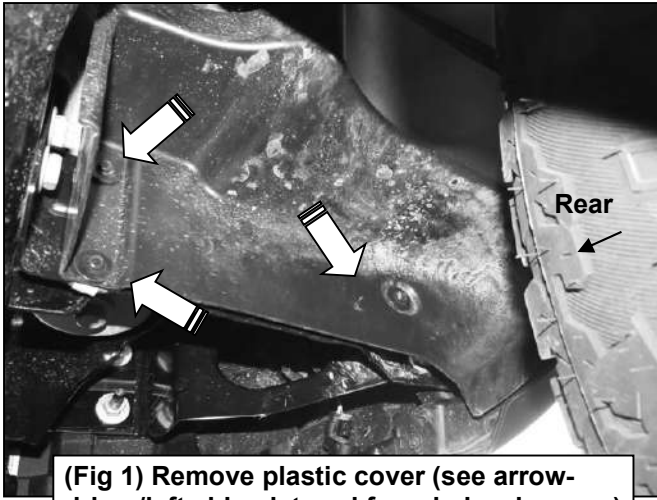
REMOVE CONTENTS FROM BOX. VERIFY ALL PARTS ARE PRESENT. READ INSTRUCTIONS CAREFULLY BEFORE STARTING INSTALLATION. ASSISTANCE IS RECOMMENDED.

WARNING: ALLOW TIME FOR THE MUFFLER TO COOL BEFORE REMOVING REAR BUMPER.

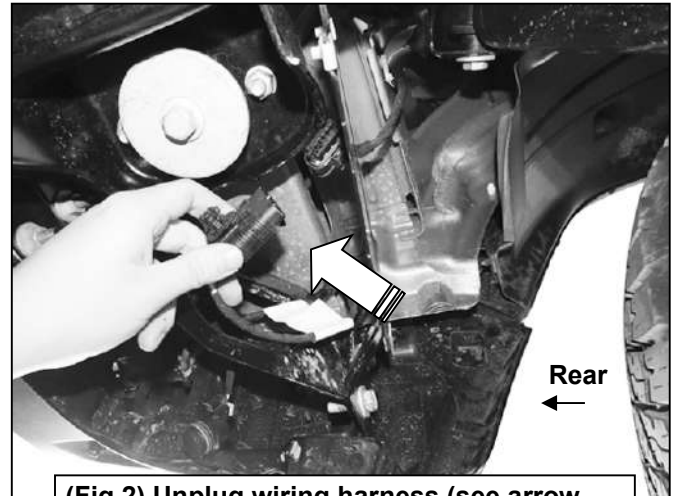
1. Start installation from under the driver/left side of the rear bumper. Remove the plastic cover from the back of the rear wheel opening, **(Figure 1)**.
2. Unplug the wiring harness leading to the rear bumper, **(Figure 2)**.
3. Locate and remove the (2) hex bolts attaching the outer support bracket running from the side of the frame to the outer end of the bumper, **(Figure 3)**. Repeat the previous **Steps** to remove the cover and outer support bracket from the passenger/right side of the vehicle.
4. Remove the (2) hex bolts attaching the bottom of the bumper to the rear crossmember if

- equipped, **(Figure 4)**.
5. With assistance, remove the (4) factory flange nuts attaching the bumper to the inner bumper brackets, **(Figure 5)**. Slide bumper off of the inner and outer bumper brackets. Move the Bumper to a stable surface.
 6. Remove the outer bumper bracket and tow hook from the driver/left side of the frame, **(Figures 6—8)**.
 7. Repeat **Step 6** to remove the Passenger/right side bumper brackets.
 8. Determine if the vehicle is equipped with rear bumper mounted parking sensors.
 - Models without rear sensors:**
 - a. Insert Rubber Plugs into sleeves in Bumper, **(Figure 9)**.
 - Models equipped with rear sensors:**
 - a. Disassemble the bumper to access and remove the wiring harness and sensors, **(Figure 10)**.
 - b. Remove the OE seal from the end of the sensor. Select (1) Foam Sensor Seal. Push the provided Foam Seal onto the front of the sensor, **(Figure 11)**.
 - c. Slide the sensor into the mounting sleeve on the back of the Bumper. Attach (2) Foam Sensor Washers to (1) Retaining Clip. Push and lock the Retaining Clip into the holes in the sensor sleeve, **(Figure 12)**.
 - d. Repeat the above steps to install remaining sensors.
 - e. Connect the wiring harness to the sensors.
 9. **Optional light or Block Off Plate installation, (light sold separately)**.
 - a. Attach light to mounting tab on back of driver/left side of the Bumper, **(Figure 13)**.
NOTE: It may be easier to install lights before attaching Bumper to vehicle.
 - b. If light will not be installed at this time, attach the included Block Off Plate to the tabs on the back of the Bumper with the included (2) 6mm x 20mm Button Head Combo Bolts and (2) 6mm Flange Nuts, **(Figure 13)**.
 - c. Repeat the appropriate Step on the passenger/right side of the Bumper.
 10. Select the 14mm Double Nut Plate. Insert the Nut Plate into the end of the passenger/right side frame channel, **(Figure 14)**.
 11. With assistance, carefully position the Rear Bumper Assembly up to the outside of the frame. Use the provided (2) 14mm x 40mm Hex Bolts, (2) 14mm Lock Washers and (2) 14mm Flat Washers to attach the passenger/right side of the Bumper to the 14mm Nut Plate inside the frame channel, **(Figure 15)**. Reuse the (2) factory bolts to attach the Bumper to the outside of the frame, **(Figures 16 & 17)**. Reuse the (4) factory bolts to attach the Bumper to the driver/left side frame, **(Figures 18 & 19)**.
 12. Level and adjust the Rear Bumper and tighten all hardware at this time.
 13. Select the License Plate Bracket. Attach the Bracket to the mounting tab on the back of the driver/left side of the Bumper with the included (2) 6mm x 16mm Button Head Combo Bolts, (2) 6mm Flat Washers and (2) 6mm Flange Nuts, **(Figure 20)**. Attach the License Plate Light to the Bracket with the hardware included with the light, **(Figure 21)**. Use the included (2) Wire Connectors to connect the wiring harness to the License Plate Light. Secure wiring with the included Wire Ties as needed.
 14. Use the included (2) push-in plugs to attach the license plate to the Bumper, **(Figure 21)**.
 15. Do periodic inspections to the installation to make sure that all hardware is secure and tight.

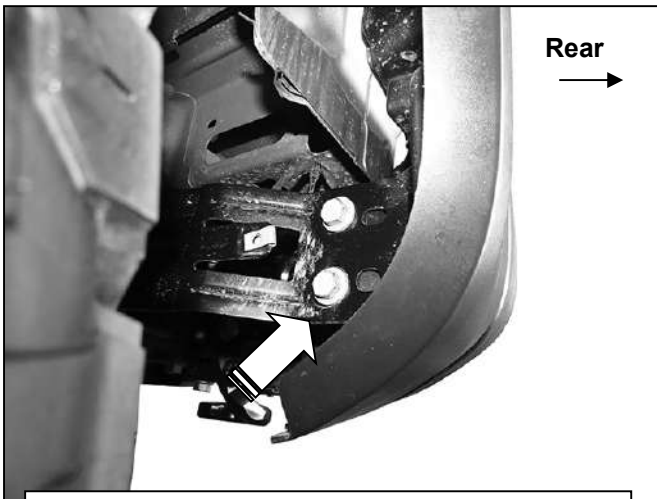
To protect your investment, do not use any type of polish or wax that may contain abrasives that could damage the finish. Mild soap may be used to clean Bumper



(Fig 1) Remove plastic cover (see arrow-driver/left side pictured from below bumper)



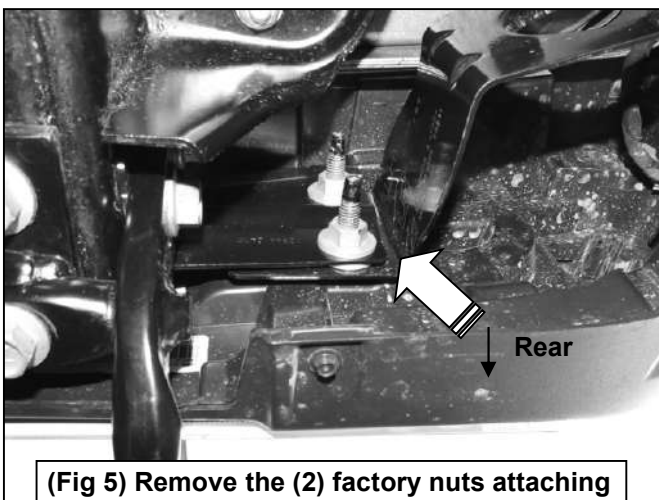
(Fig 2) Unplug wiring harness (see arrow-driver/left side pictured from below bumper)



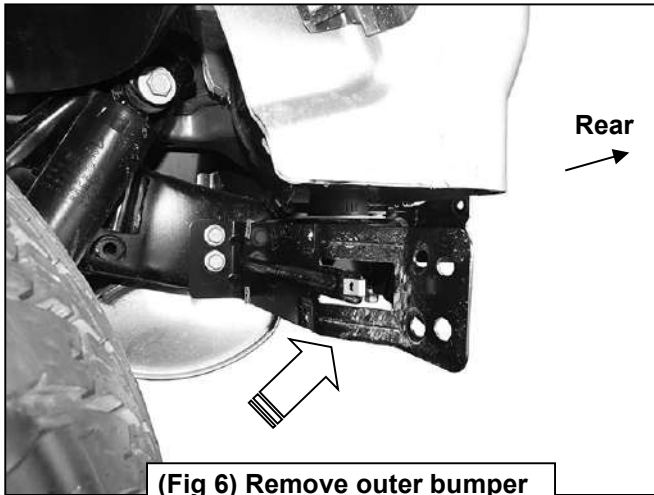
(Fig 3) Remove (2) outer bumper bracket bolts



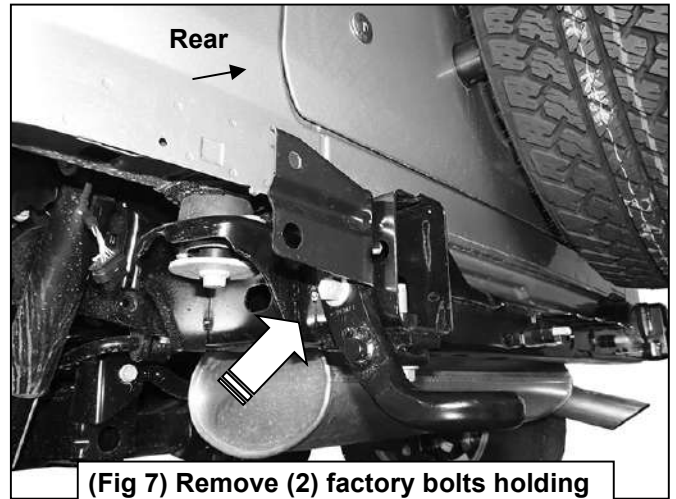
(Fig 4) Remove (2) hex bolts attaching bottom of bumper to frame cross member



(Fig 5) Remove the (2) factory nuts attaching the outer bumper bracket to the bumper



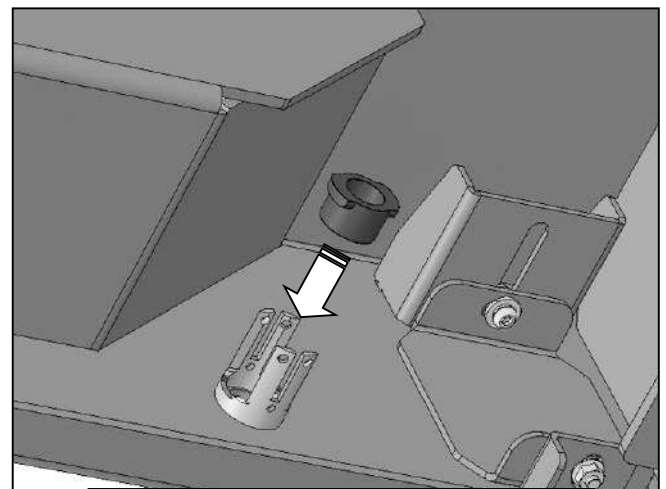
(Fig 6) Remove outer bumper bracket from side of frame



(Fig 7) Remove (2) factory bolts holding the passenger/right tow hook and inner bumper bracket from side of frame



(Fig 8) Driver/left side mounting location



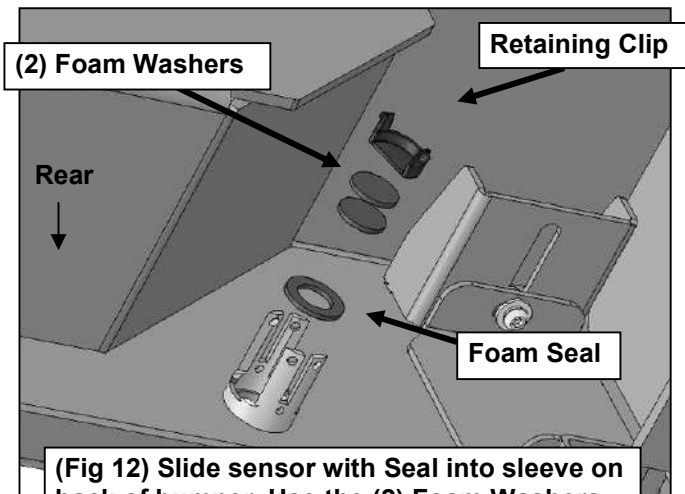
(Fig 9) Models without sensors, insert Plugs into Sleeves on back of Bumper



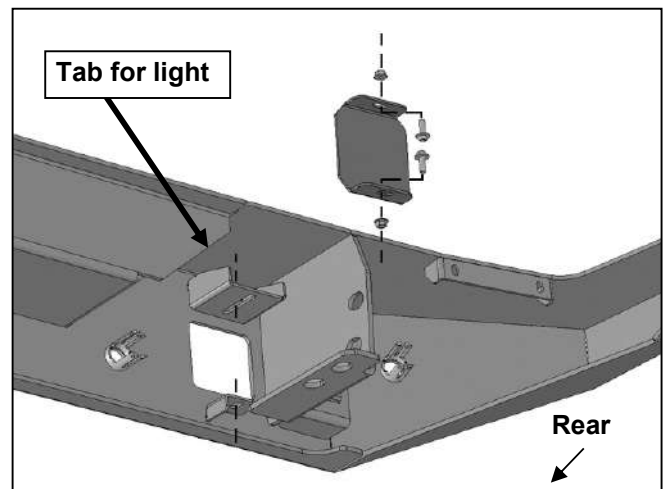
(Fig 10) Disassemble factory bumper to remove sensors and wiring harness



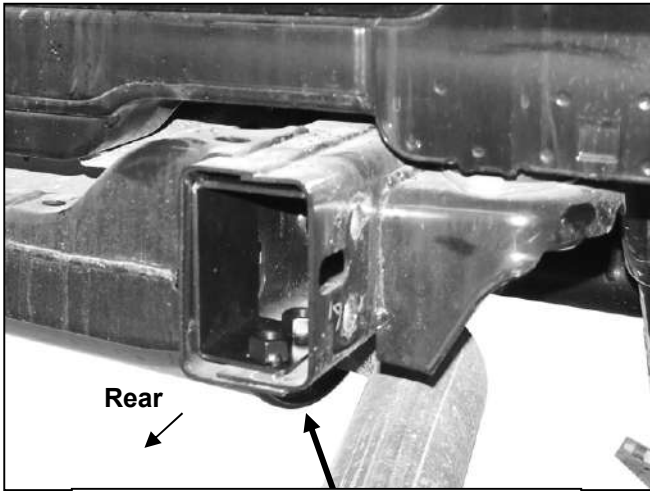
(Fig 11) Replace sensor washer on end of sensor with provided larger Foam Washer



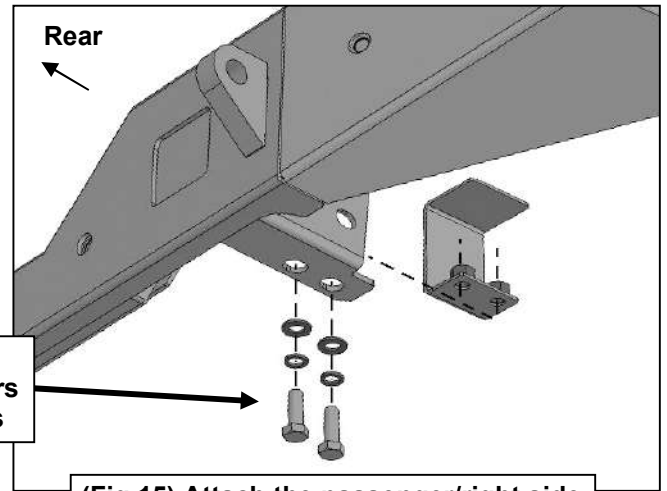
(Fig 12) Slide sensor with Seal into sleeve on back of bumper. Use the (2) Foam Washers and Retaining Clip to hold sensor in place



(Fig 13) Attach Block Off Plate or light (available separately) to tabs on back of Bumper (optional)

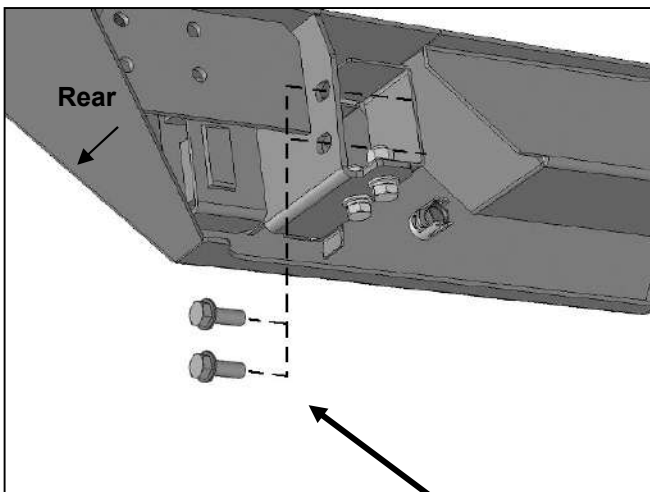


(Fig 14) Insert 14mm Double Nut Plate into end of passenger/right frame

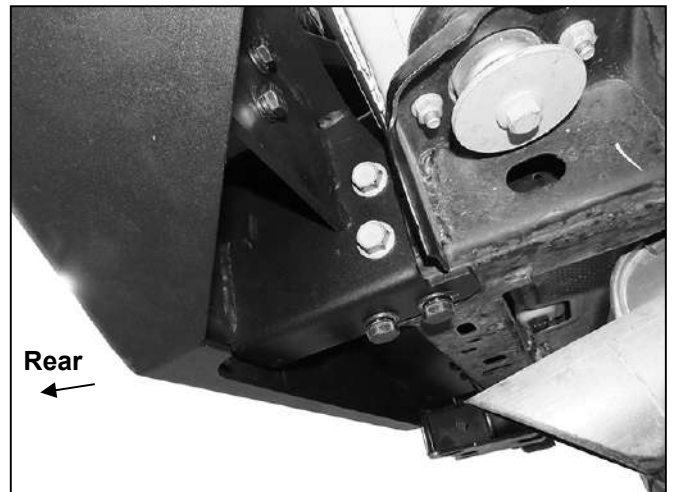


- (2) 14mm Hex Bolts
- (2) 14mm Lock Washers
- (2) 14mm Flat Washers

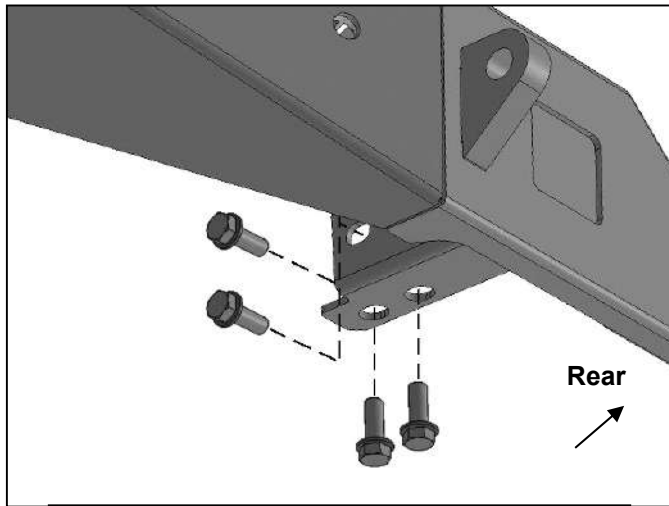
(Fig 15) Attach the passenger/right side of the Bumper to the Nut Plate in frame



(Fig 16) Reuse (2) factory bolts to attach the passenger/right side of the Bumper to the frame

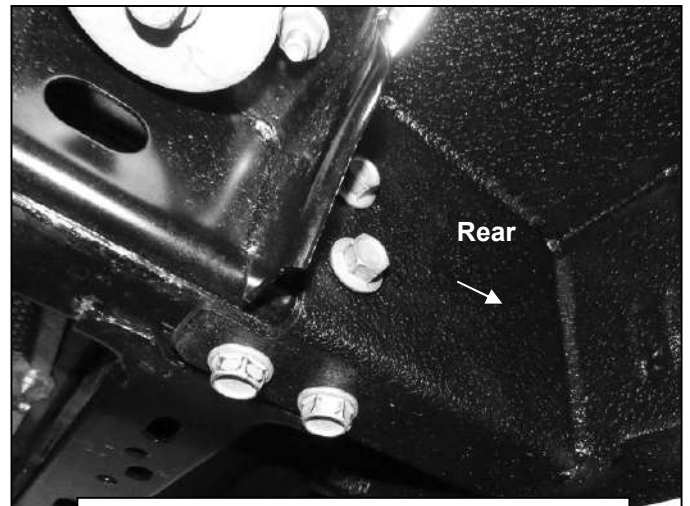


(Fig 17) Reuse (2) factory bolts to attach the passenger/right side of the Bumper to the frame

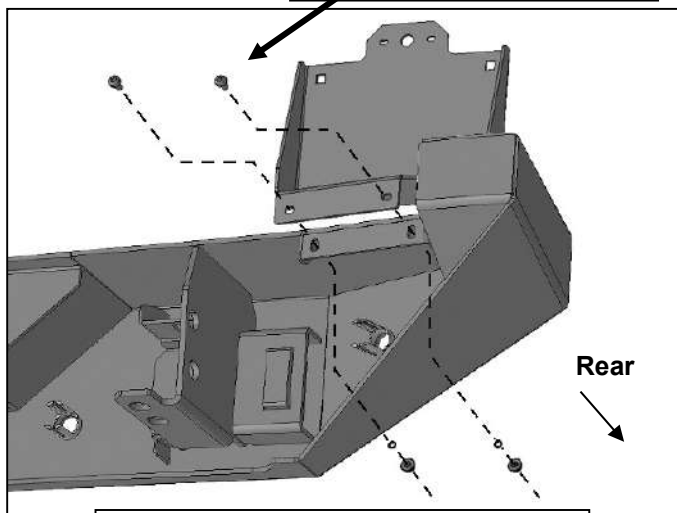


(Fig 18) Reuse (4) factory bolts to attach the driver/left side of the Bumper to the frame

- (2) 6mm x 16mm Button Head Combo Bolts
- (2) 6mm Flat Washers
- (2) 6mm Flange Nuts

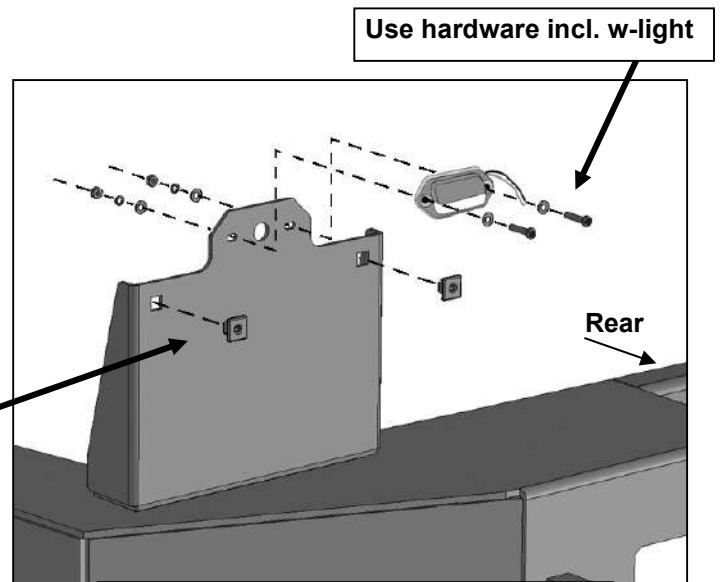


(Fig 19) Reuse (4) factory bolts to attach the driver/left side of the Bumper to the frame mounting location



(Fig 20) Attach License Plate Bracket to mounting tab on back of Bumper

- (2) Plastic Plugs for license plate



(Fig 21) Attach License Plate to Plastic Plugs. Attach Light to Bracket