



INSTALLATION INSTRUCTIONS

Installation instructions for 2007-2012 Toyota FJ: PN FJ-19336

**** Inspect bumper and all parts prior to installation.**

Hardware list:

- QTY 4 M10X30MX1.5 HEX BOLT
- QTY 12 M10 FLAT WASHER
- QTY 8 M10X35MX1.5 HEX BOLT
- QTY 12 M10 WASHER
- QTY 4 M10X25MX1.5 HEX BOLT
- QTY 2 M12X45X1.5
- QTY 2M12 FLAT WASHERS
- QTY 4 10M HEX NUTS
- QTY 4 10M LOCK WASHERS
- QTY 2 "L" BRACKETS

Removing Factory bumper:

- 1 Remove Factory grill from truck by removing two screws from top.



- 2 Remove all fasteners from wheel well top of bumper fascia, and from bottom of bumper fascia. If equipped with driving lights disconnect wiring harness at this time.

- 3 Remove front bumper fascia. If installing factory driving lights on new front bumper, remove at this time.



- 4 Remove front bumper structure and retain factory hardware.
- 5 Remove two fascia supports, one on each side of vehicle.

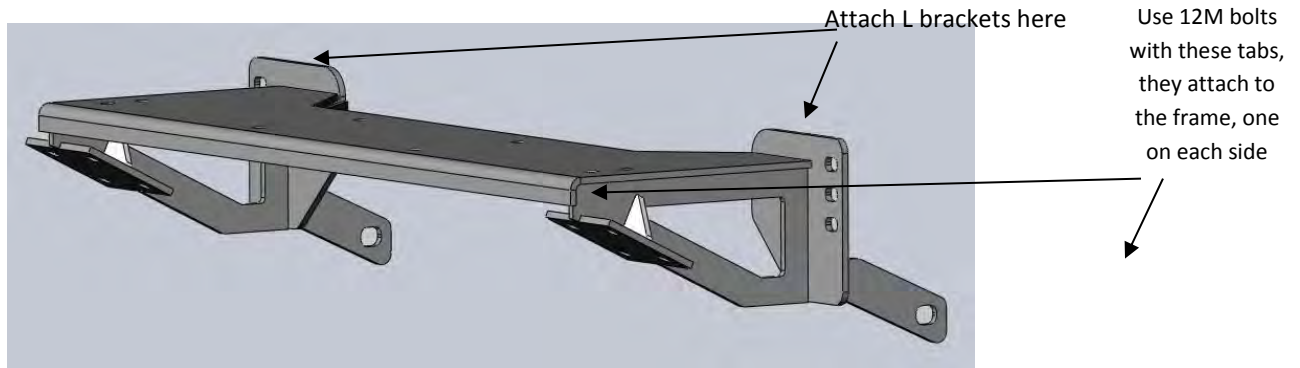


Bumper Installation FJ-19336:

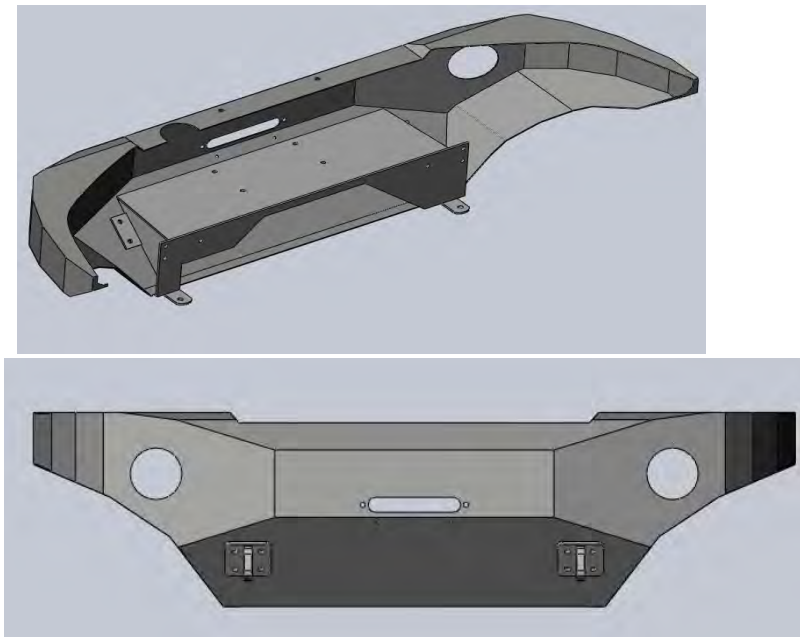
We recommend you have help with lifting of the front bumper to avoid injury or damage to bumper and vehicle.

- 1 Install winch plate onto the frame studs using factory hardware used for front bumper. (If installing a winch install at this time) Use low profile winch, we do not recommend a winch larger than 10,000 pound capacity.

- Loosely attach the two "L" brackets on to the winch plate, the slotted ends facing down on the winch plate. Use the 4 10M x 25M hex bolts, flat washers. The top holes on the L bracket will line up with the tabs on the bumper.



- Attach auxiliary lights to the light tabs before installing bumper shell.
- Lift the bumper shell over the sub-frame and winch, check for clearance of the winch control box. The shell will fit over the OEM brackets under the headlights. Once in place use the 8 10Mx35 hex bolts and flat washers with shackle plates to attach the shell to the sub-frame. Adjust for clearance under the headlights, and then tighten. Attach L bracket to bumper tabs using 10Mx30M hex bolts and tighten. Note** Trimming of the bumper near the tow hooks may be necessary in late model (2010-2013) or removal of OEM tow hooks this will ease installation. Relocating the windshield washer bottle is required on late model (2011-2013)



- Check alignment to body and tighten all hardware.
- Cut inner plastic fender as needed to clear front tires.



INSTALLATION INSTRUCTIONS



FJ-6123 Roof Rack



FJ-2961 Rear Bumper



FJ-4122 RockSteps

Other Body Armor products for the FJ Cruiser



FJ-7135 Taillight guards

When it comes to quality off-road bumpers, Body Armor 4x4 is the brand you can depend on.