

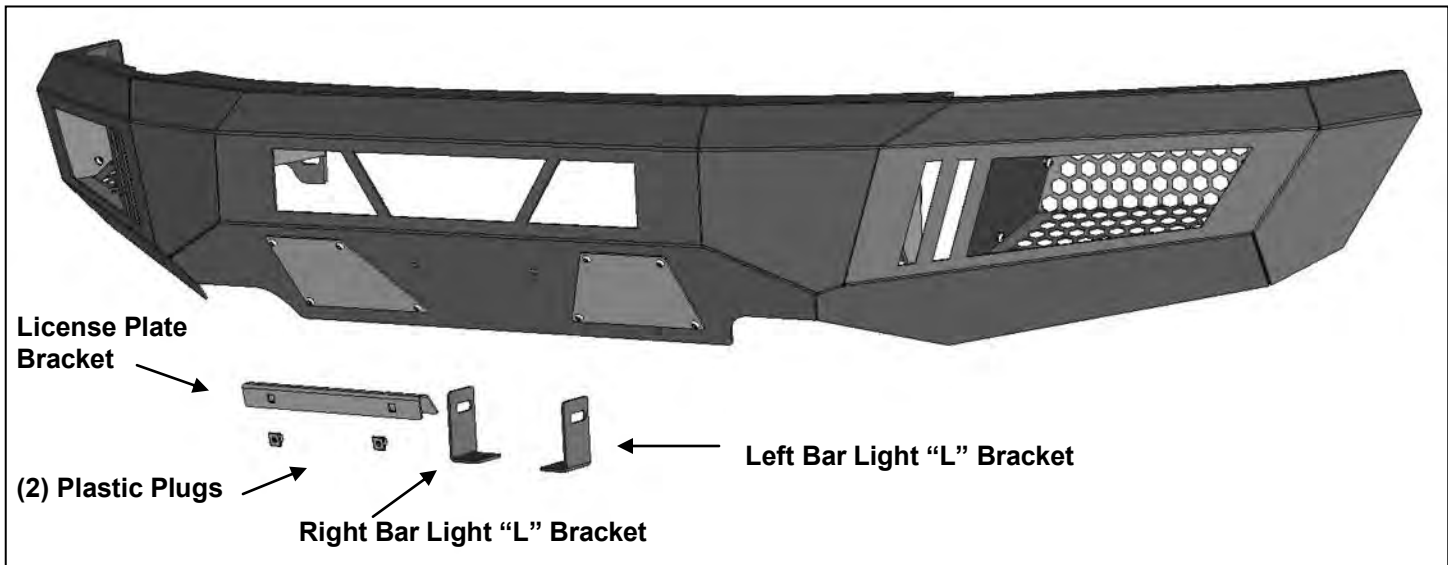
BODY **4** **ARMOR** **X** **4**

FRONT BUMPER
15-16 FORD F150 ECO-SERIES
PART # FD-19336

**FRONT BUMPER
2015-16 FORD F150**

PARTS LIST:

1	Front Bumper Assembly	4	8mm Lock Washers
1	Driver/left "L" Bracket (center LED light)	2	8mm Hex Nuts
1	Passenger/right "L" Bracket (center LED light)	2	6mm x 20mm Button Head Bolts
1	License Plate Bracket	4	6mm x 18mm x 1.6 Flat Washers
2	Plastic Plugs for license plate mount	2	6mm Nylon Lock Nuts
2	8-1.25mm x 25mm Hex Bolts	1	Wrench
2	8-1.25mm x 16mm Hex Bolts (LED light bar)	10	Nylon Wire Ties
6	8mm x 24mm Flat Washers		



PROCEDURE:

REMOVE CONTENTS FROM BOX. VERIFY ALL PARTS ARE PRESENT. READ INSTRUCTIONS CAREFULLY BEFORE STARTING INSTALLATION. BUMPER IS HEAVY, ASSISTANCE IS HIGHLY RECOMMENDED TO AVOID POSSIBLE INJURY OR DAMAGE TO THE VEHICLE.

1. Remove the license plate and bracket, **(Figure 1)**. Next, remove the plastic bumper pad assembly or on models with ecoboost, remove the (2) bumper pads from the bumper, **(Figure 2)**. **NOTE:** Pad is held in place with metal clips. Release the clips from back of bumper and pull the pad straight out to remove bumper pad. **NOTE:** It is easier to access bumper hardware with plastic air dam removed from bottom of bumper.
2. On models with factory fog lights, unplug both lights, **(Figure 3)**. Release the wiring harness from the clips attached to the back of the bumper. Move harness away from bumper.
3. Place blocks or jack stands under the front bumper to support it during mounting bolt removal. Once the bumper has been safely supported, remove the large hex bolt and nut from the back of each bumper bracket, **(Figure 4)**. Next, from the front of the bumper, remove the (2) factory hex nuts attaching the bumper to each bumper bracket, **(Figure 5)**. **WARNING!** Assistance is required to hold the bumper in place during bolt removal to prevent the bumper from falling.
4. Remove the double bolt plates from the top of the mounting flanges on the frame, **(Figure 6A & 6B)**.
5. With assistance, position the Bumper Assembly up to the mounting flanges on the frame. Temporarily support the weight of the Bumper. **WARNING:** To avoid possible injury or damage to the vehicle, do not proceed until the bumper is fully and safely supported.
6. Select (1) factory double bolt plate, **(Figure 6B)**. Insert the bolt plate into the driver side mounting plate on the back of the bumper and through the top holes in the bumper flange, **(Figure 7)**. Reuse the factory hex nuts to secure the Bumper to the bolt plate. Reuse the factory hex bolt and nut to attach the lower mounting hole on the bumper to the lower hole in the frame mounting flange, **(Figure 8)**.
7. Repeat **Step 6** to attach the passenger side of the bumper to the end of the frame with the factory bumper hardware. Do not fully tighten hardware at this time.

**FRONT BUMPER
2015-16 FORD F150**

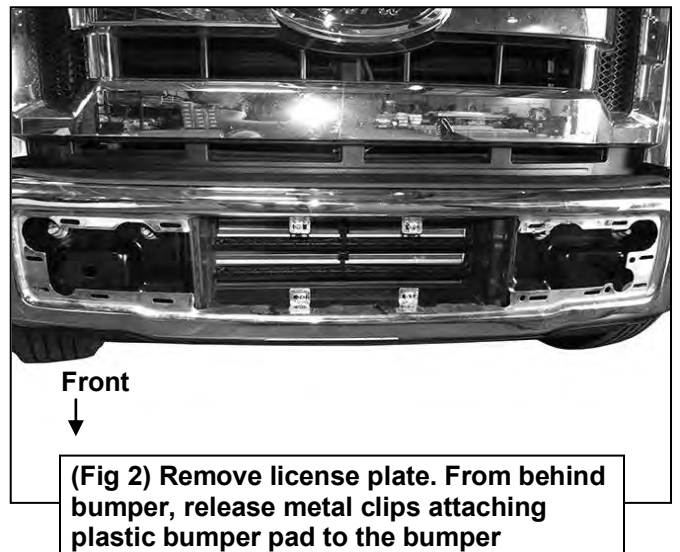
8. Level and adjust the bumper and fully tighten all hardware.
9. On models with bolt on frame extensions, remove the extensions from outside of frame, **(Figure 9)**.
10. If front license plate is required, attach the License Plate Bracket to the holes in the bumper with the included (2) 6mm x 20mm Button Head Screws, (4) 6mm Flat Washers and (2) 6mm Nylon Lock Nuts. Insert (2) Plastic Plugs into the square holes in the Bracket. Reuse the factory screws to attach the license plate to the plastic plugs, **(Figure 10)**.
11. On Ecoboost models, remove the (2) flat covers from the bottom of the bumper, **(Figure 11)**.
12. **Center LED light installation** as supplied with bumper or sold separately.
 - a. Select the L/R "L" Brackets, **(Figure 12)**. Attach the Brackets to the top of the (2) mounting tabs welded onto the back of the bumper with the included 8mm x 25mm Hex Bolts, (4) 8mm Flat Washers, (2) 8mm Lock Washers and (2) 8mm Hex Nuts. Leave loose at this time.
 - b. Attach the LED light assembly to the "L" Brackets with the included (2) 8mm x 16mm Hex Bolts, (2) 8mm Lock Washers and (2) 8mm Flat Washers. Do not fully tighten hardware at this time. **IMPORTANT:** "L" Brackets are designed for 8mm light mounting hardware only. Modify "L" Brackets if necessary or use brackets supplied by your light manufacturer if possible to install hardware larger than 8mm.
 - c. Follow light manufacturer's instructions to properly wire the light.
13. **LED light installation at ends of bumper** as supplied with bumper or sold separately.
 - a. Insert light into opening and up to mounting slots. Check for clearance between front and back of light. If necessary, remove the screen from the back of the opening, **(Figure 13)**.
 - b. Follow the light manufacturer's instructions to attach (1) light to the center slot or (2) lights to the inner and outer slots in the top of the light opening, **(Figure 14)**. **IMPORTANT:** On two light systems, attach the flood light to the outer slot and the spot light to the inner slot.
 - c. Repeat the above steps for passenger side light installation.
 - d. Follow light manufacturer's instructions to properly wire the light.
14. Do periodic inspections to the installation to make sure that all hardware is secure and tight.

To protect your investment, wax this product after installing. Regular waxing is recommended to add a protective layer over the finish. Do not use any type of polish or wax that may contain abrasives that could damage the finish. Mild soap may be used to clean the Bumper assembly.

Driver Side Installation Pictured

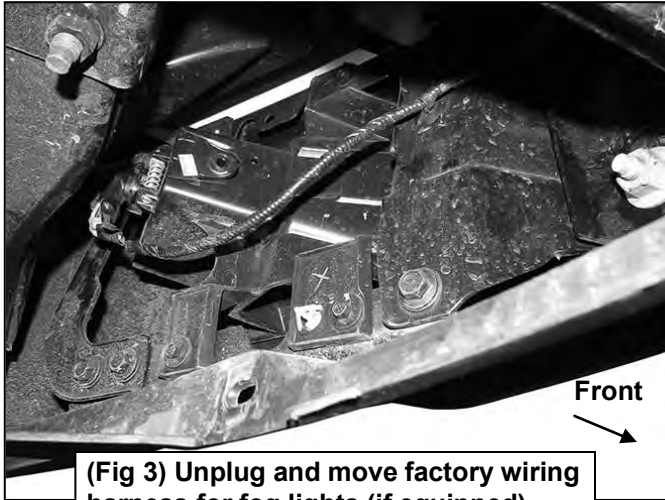


(Fig 1) Remove spoiler and pads from bumper

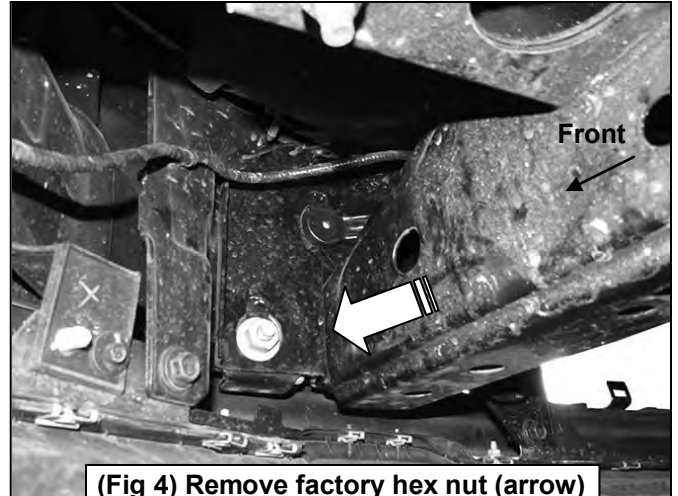


(Fig 2) Remove license plate. From behind bumper, release metal clips attaching plastic bumper pad to the bumper

Driver Side Installation Pictured

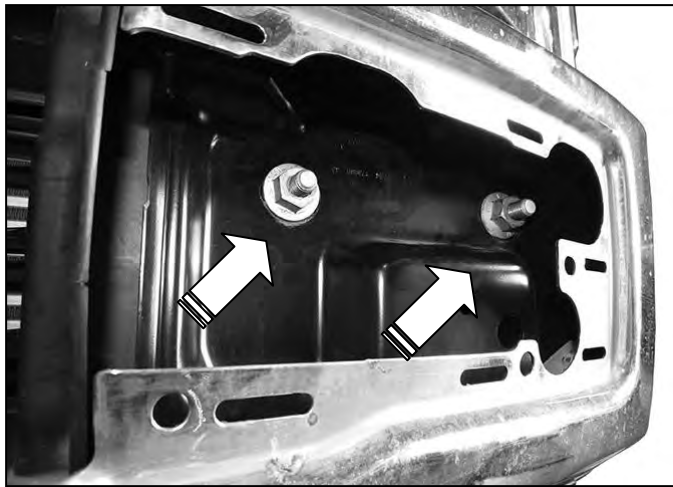


(Fig 3) Unplug and move factory wiring harness for fog lights (if equipped)



(Fig 4) Remove factory hex nut (arrow) from back of bumper bracket

WARNING! Do not remove bumper bolts unless the bumper is properly supported on blocks or stands or the bumper may fall.



(Fig 5) Remove (2) factory hex nuts from each side



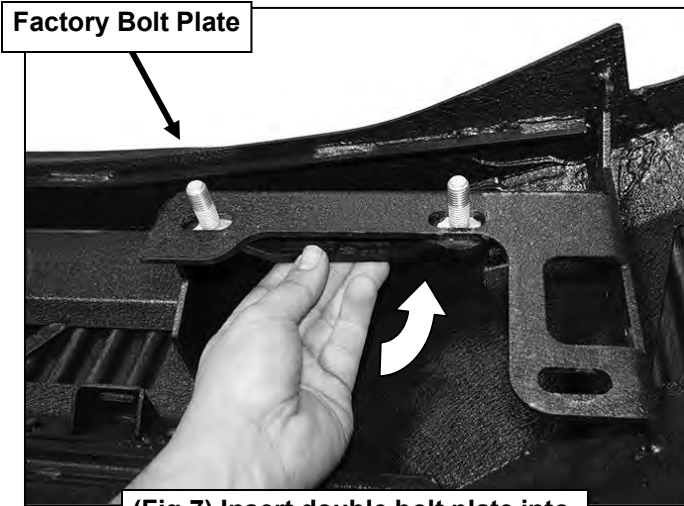
(Fig 6A) Remove factory double bolt plate



(Fig 6B) factory double bolt plate

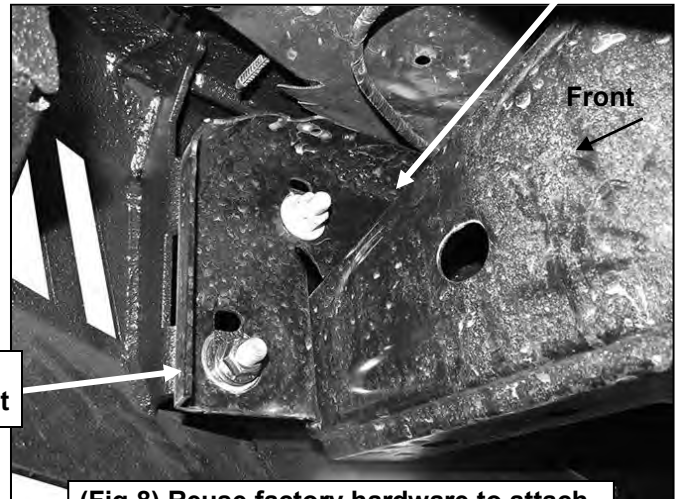
Driver Side Installation Pictured

WARNING! Do not crawl under bumper unless the bumper is properly supported on blocks or stands or the bumper may fall.



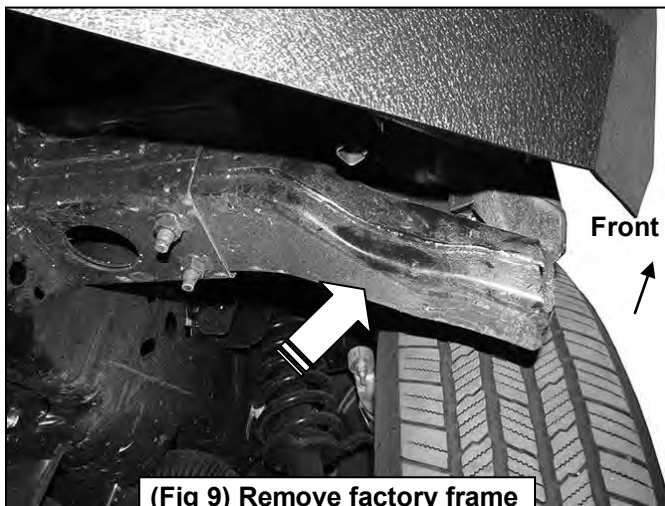
(Fig 7) Insert double bolt plate into mounting plate on back of Bumper

Passenger/right frame mounting flange



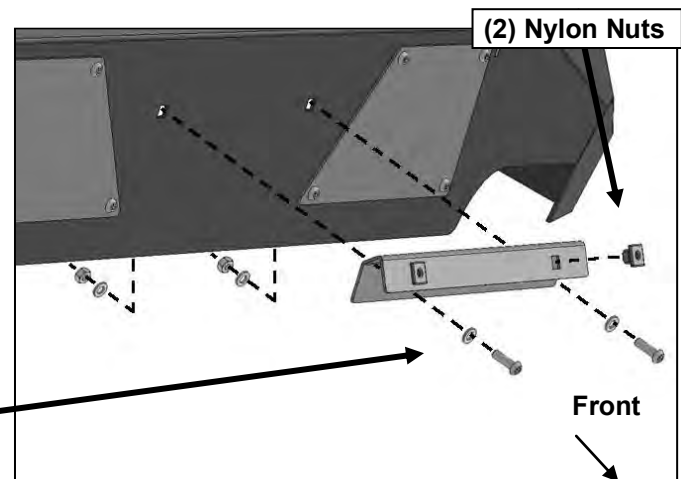
(Fig 8) Reuse factory hardware to attach Bumper to frame mounting flange

Reuse factory bumper bolt and nut



(Fig 9) Remove factory frame extension (if equipped)

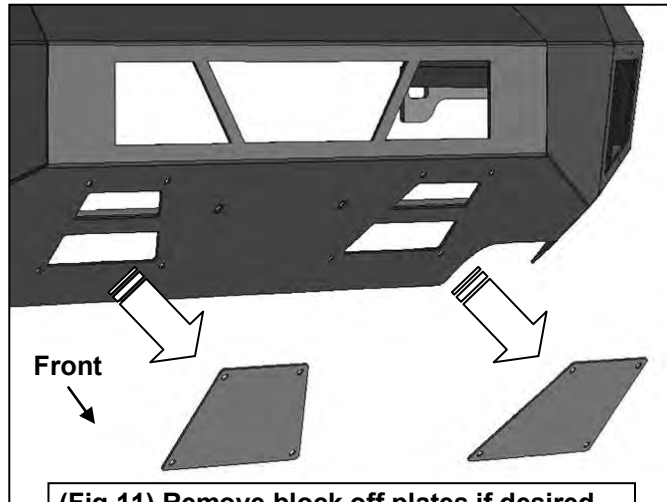
- (2) 6mm x 20mm Button Head Screws**
- (4) 6mm Flat Washers**
- (2) 6mm Nylon Lock Nuts**



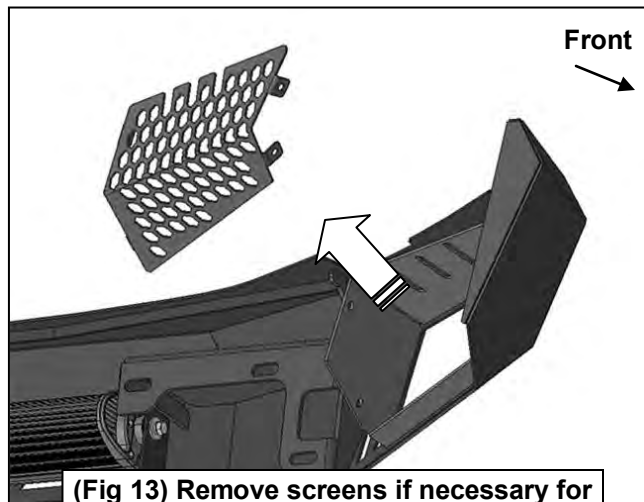
(Fig 10) Attach License Plate Bracket to Bumper

**FRONT BUMPER
2015-16 FORD F150**

Driver Side Installation Pictured



(Fig 11) Remove block off plates if desired- highly recommended for ecoboost models

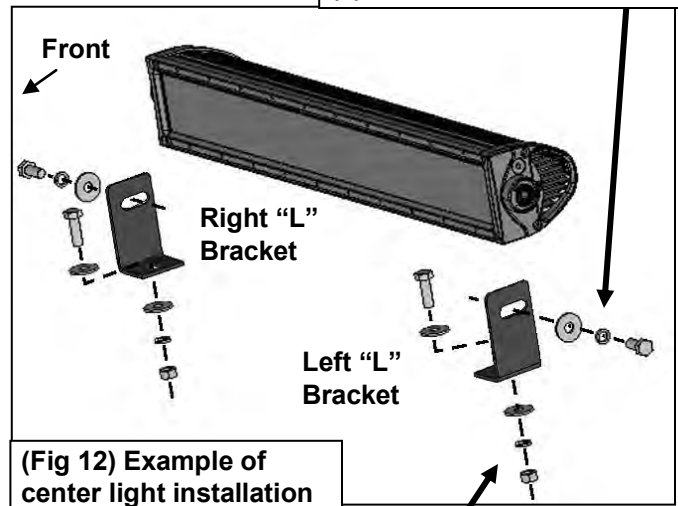


(Fig 13) Remove screens if necessary for clearance/access to outer light mounts

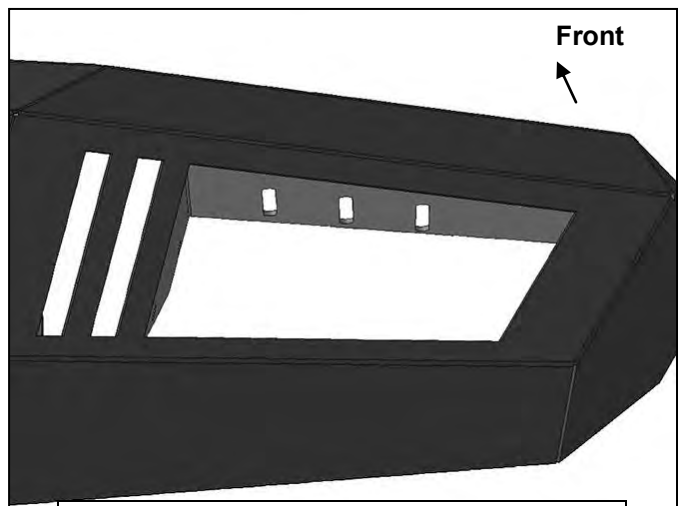


Complete Installation

- (2) 8mm x 16mm Hex Bolts
- (2) 8mm Lock Washers
- (2) 8mm Flat Washers



- (2) 8mm x 25mm Hex Bolts
- (4) 8mm Flat Washers
- (2) 8mm Lock Washers
- (2) 8mm Hex Nuts



(Fig 14) Attach single light to center slot or use inner and outer slots for dual lights