



Installation Instructions

Ford C-4

Bracket and Lever

Part No. 50498

©B&M Racing & Performance Products 1994

STEP 1. Raise and safely support the vehicle at least 1-2 feet off the ground. Remove the nut and lockwasher holding the downshift linkage onto the downshift lever shaft. The downshift lever is the outer lever on C-4 transmissions. Pull the lever off the shaft and allow the linkage to hang free. Remove and discard stock shift linkage rods. Late C-4 transmissions have a Neutral safety/Backup light switch on the transmission shift

lever. If your transmission is so equipped, remove the two bolts holding the switch in place and slide it off the shift shaft. Disconnect the switch at the factory plug and discard it.

STEP 2. Install the **B&M** selector lever, See **figure 1**. Note: The B&M lever must point downward for proper operation. If the stock shift lever on your transmission points down, you will have to re-

move the lower part of the stock arm by cutting it off to clear the **B&M** lever, (See **figure 1**). Install **B&M** selector lever onto shift shaft of transmission. Align selector lever so when it points straight down it travels equal arcs in both directions from center, then tighten 1/4"-20 x 1 1/2" pinch bolt and nut. The lever should travel smoothly from front to back with a positive click in each gear position. Make sure O-ring is in position on downshift shaft and install downshift

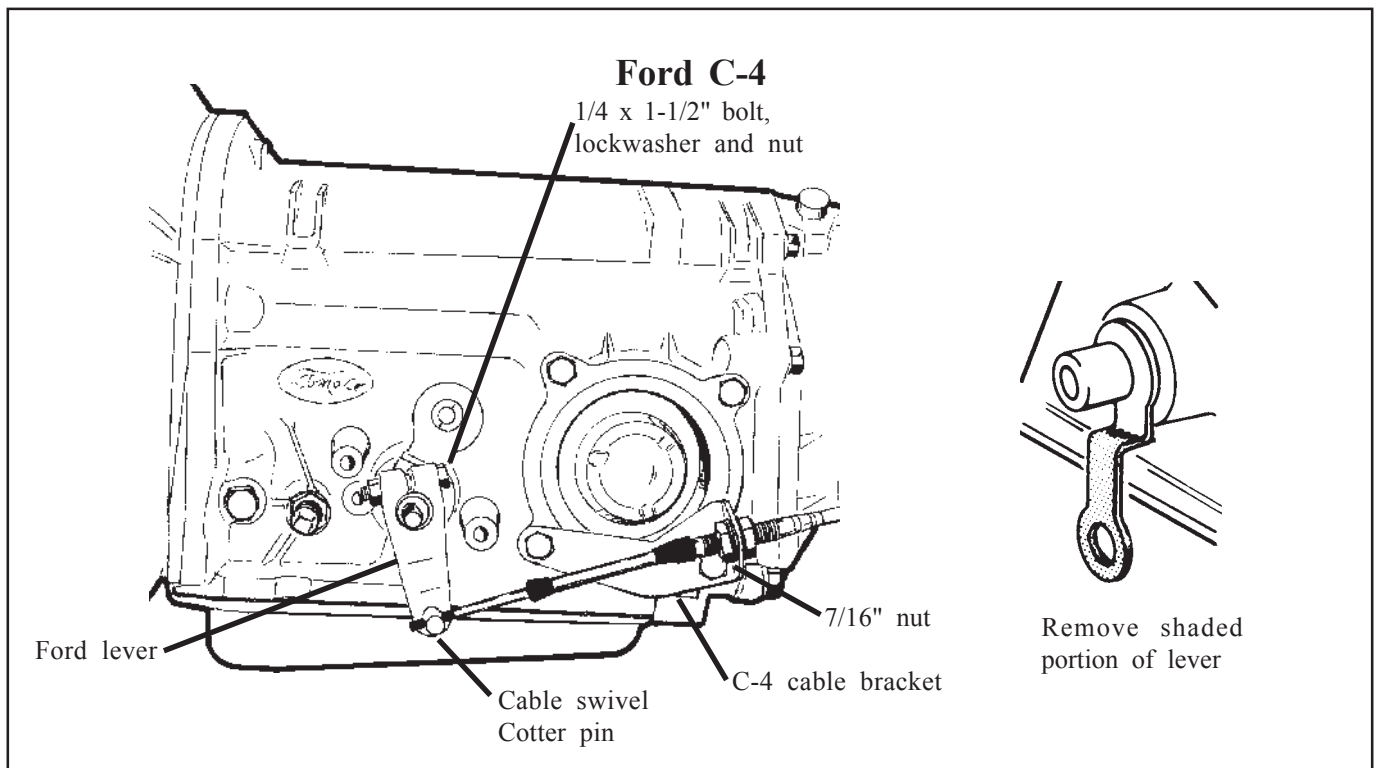


Figure 1

lever in position on shaft. Install lockwasher and nut and tighten securely. Downshift lever must operate smoothly. Reconnect downshift linkage.

STEP 3. Remove the two lower bolts from the rear servo cover. Install cable bracket in position, (See **figure 1**). Install two servo cover bolts as removed and tighten 12-13 ft. lbs. Do not overtighten as this can distort servo cover.

STEP 4. Route the shifter cable according to **figure 2**. Avoid kinks and sharp bends and route the cable away from hot engine or exhaust parts.

Remove the two rubber boots, one large nut, and a large lockwasher from the threaded end of the shifter cable. Slide the end of the cable into the cable bracket, Install large nut and lockwasher loosely over end of cable. Install two rubber boots onto end of cable. Install the swivel on the threaded end of the cable and position it in the center of the threaded portion.

STEP 5. Move the transmission selector lever by hand to full rear position (LOW). Place the shifter lever to the low gear position (ratcheted all the way back). Adjust the large nuts on the cable so that the swivel will slide into the hole on the selector lever. Tighten the large nuts completely. Be sure that the swivel will slide freely in and out of the hole in the selector lever.

With the swivel in the selector lever, move the shifter to PARK position, as far forward as the shifter will go without forcing it. (The shifter has further travel that is used to reach the GM park position but is not used on Ford transmissions. Trying to force the cable

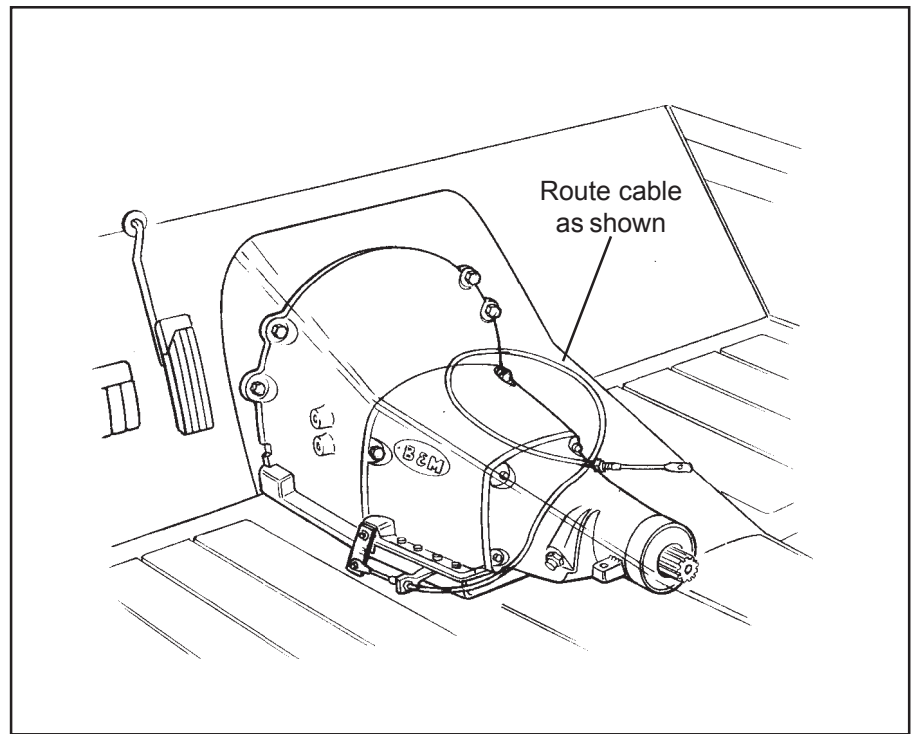


Figure 2

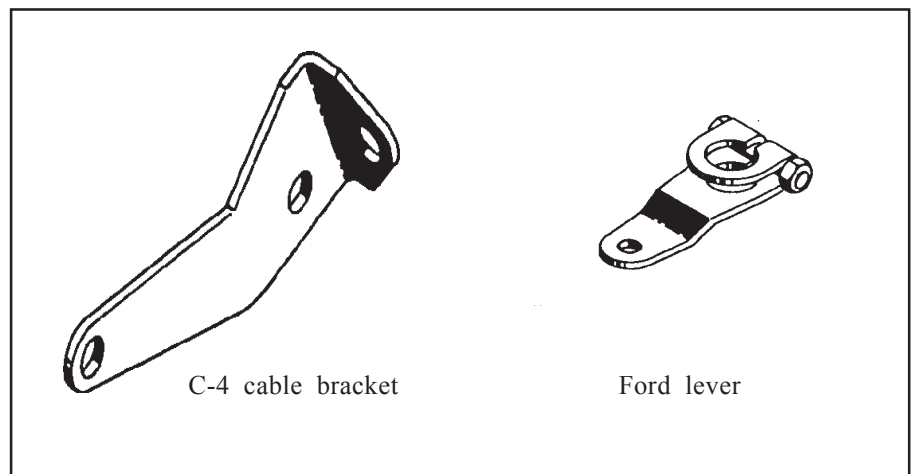


Figure 3

will damage the cable.) The shift lever on the transmission should be all the way forward. Check to see that the swivel will slide freely in and out of the hole in the lever in this position. If it does not slip in freely, adjust the swivel slightly until it will slip into the hole in the lever in both LOW and PARK positions. Operate shifter through all gear positions. Check to make

sure swivel will slide in and out of the selector lever hole in each gear position. Install cotter key supplied with shifter into swivel and spread key ends.

If you have a problem, **DO NOT FORCE THE SHIFTER**, this will damage the cable, the shifter or the transmission. Simply start at the beginning and carefully check all your steps.