



BX88310

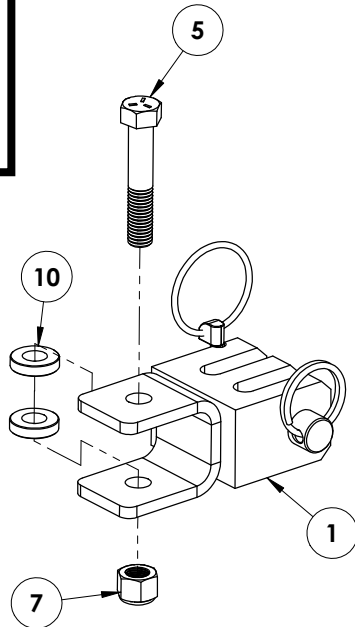
Blue Ox / Demco Lug Adapter Kit Installation Instructions

BX88310 Lug Kit

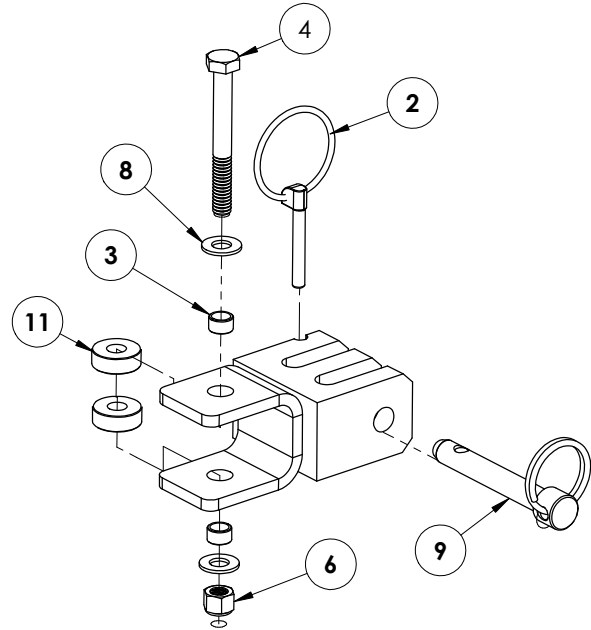
The BX88310 Blue Ox / Demco Lug Adapter Kit is designed to adapt Demco Commander, Excalibur II & Dominator tow bars to Blue Ox baseplates.

Tools Required

3/4" Socket
3/4" Wrench
or
9/16" Socket
9/16" Wrench



DEMCO EXCALIBUR II TOW BAR



DEMCO COMMANDER TOW BAR

**NOTE: DEMCO DOMINATOR TOW BAR WILL
USE IT'S ORIGINAL SPACERS**

Item No.	Part No.	Description	Qty.
1.....	61-7406.....	Blue Ox Triple Lug.....	2
2.....	62-3213.....	Quick-Pin.....	2
3.....	107-3585.....	Commander Bushing.....	2
4.....	201-0188.....	3/8"-16 x 3-1/4" Hex Head Bolt, Grade 5, ZP.....	2
5.....	201-0616.....	1/2"-20 x 2-3/4" Hex Head Bolt, Grade 5, ZP.....	2
6.....	202-0090.....	3/8"-16 Hex Nylon Lock Nut, ZP.....	2
7.....	202-0150.....	1/2"-20 Hex Nylon Lock Nut, ZP.....	2
8.....	203-0003.....	3/8" Flat Washer, ZP.....	4
9.....	229-0520.....	1/2" x 2-5/8" Pin, ZP.....	2
10.....	290-0574.....	Excalibur II Spacer Tube.....	4
11.....	290-0575.....	Commander Spacer Tube.....	4

Important:

Do **NOT** substitute homemade or non-typical parts. If a bolt is lost or in need of replacement, for your safety and the preservation of your kit, be sure to use a replacement bolt of the same grade (In most cases it will be Grade 5, please reference the parts list above). Replacement parts may be ordered through your nearest Blue Ox® Dealer or Distributor. Failing to follow and/or altering these installation instructions in either installation or required equipment will void the manufacturer's warranty. Towing behind a non-motorized vehicle will void the warranty.

BX88310
Blue Ox / Demco Lug Kit
Installation Instructions

Installation:

1. Remove the existing Demco lugs from the tow bar.
2. Install the new Blue Ox lugs onto the tow bar with the supplied or existing hardware for your particular Demco tow bar.
3. Tighten the hardware until the lugs are tight against the tow bar legs but can still be moved firmly by hand.

