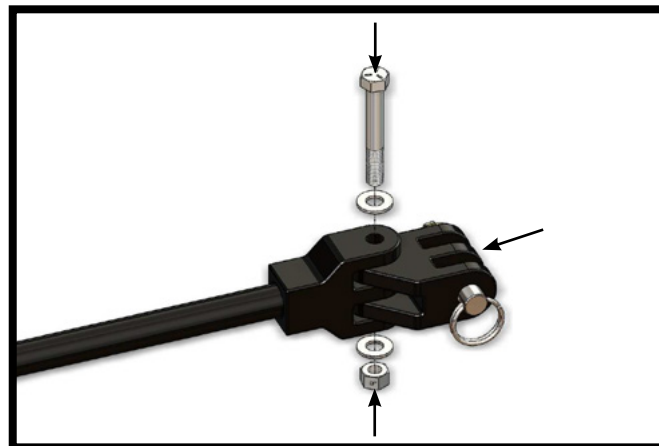
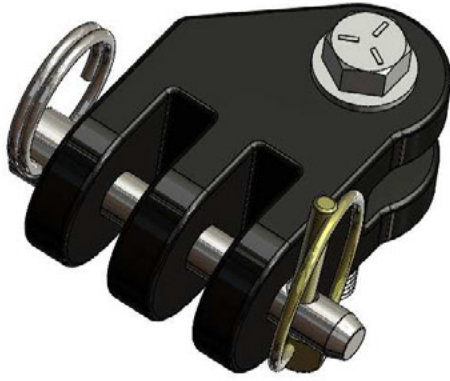




BLUE OX

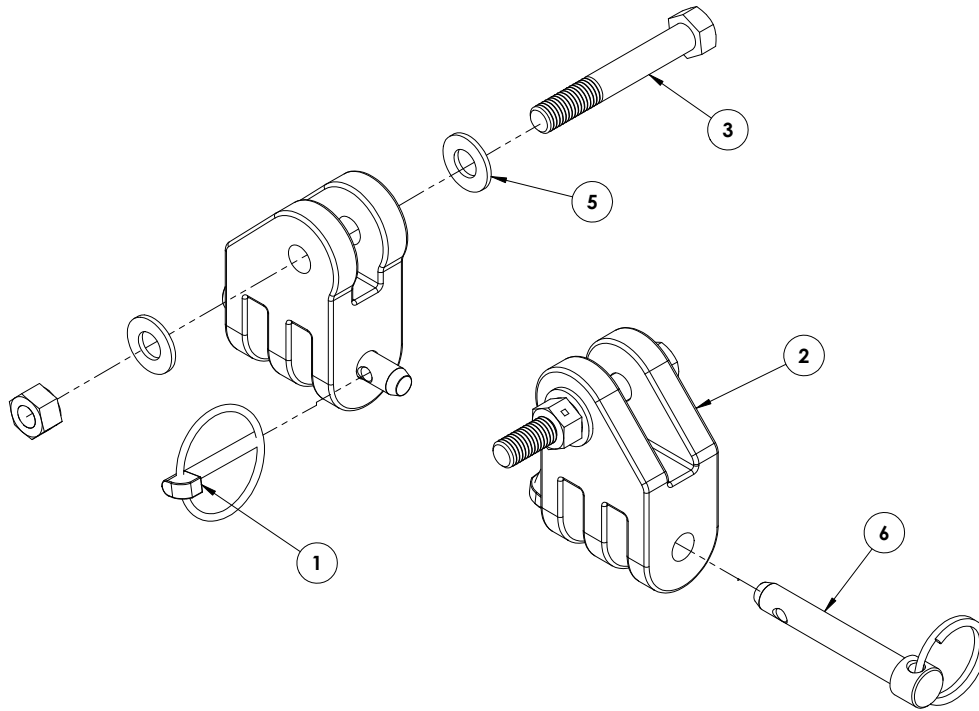
BX88306

Blue Ox Baseplate Lug Kit, 20K/40K
Installation Instructions



1. Install the lug onto the tow bar leg with the 1/2"-13 x 3-1/2" bolt, 1/2" washers and 1/2"-13 lock nut provided. Do this on both tow bar legs.

BX88306
Blue Ox Baseplate Lug Kit, 20K/40K
Installation Instructions



Tools Required
 3/4" Socket
 3/4" Wrench

Item No.	Part No.	Description	Qty.
1.....	62-3213.....	Quick Pin.....	2
2.....	100-1266.....	Lug.....	2
3.....	201-0369.....	1/2"-13 x 3-1/2" Hex Head Bolt, Grade 5.....	2
4.....	202-0016.....	1/2"-13 Hex Dimple Lock Nut, ZP.....	2
5.....	203-0005.....	1/2" Flat Washer, ZP.....	4
6.....	229-0520.....	Pin, 1/2" x 2-5/8" Effective.....	2

