

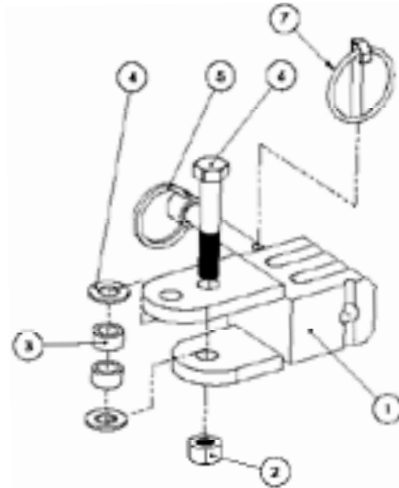
BLUE OX[®]

10K Triple Lug Adapter Kit BX88262

Installation Instructions

CONTENTS:

Ref No.	Qty.	Part #	Description
1	2	61-6907	Wldm't, Triple Lug 10K
2	2	202-0094	1/2"-13 Hex Nyl. Ins Lock Nut
3	4	107-2754	Tube, 3/4" OD x .120W x 3/8"
4	4	290-0266	Nylon Washer 1.0 OD x .518 ID
5	2	229-0520	Pin, 1/2" x 2-5/8" Eff.
6	2	201-0490	1/2"-13 x 3" Hex Bolt, Gr 5, ZP
7	2	62-3213	Quick Pin Assembly



WARNING:

USE ONLY GENUINE FACTORY REPLACEMENT PARTS.
Do NOT substitute homemade or non-typical parts. This may cause your triple lug kit to fail and result in injury or death.

Installation Instructions

1. Place triple lug connectors over the end of the tow bar arms.
2. Install triple lug connectors to the tow bar arms using the hex bolts, washers, and nuts.
3. To attach the tow bar to the baseplate, insert the triple lug connector into the attachment tab of the baseplate. Align the holes of the triple lug connectors with the holes of the attachment tabs, and pin in place using the Quick Pin Assemblies and Pins.