



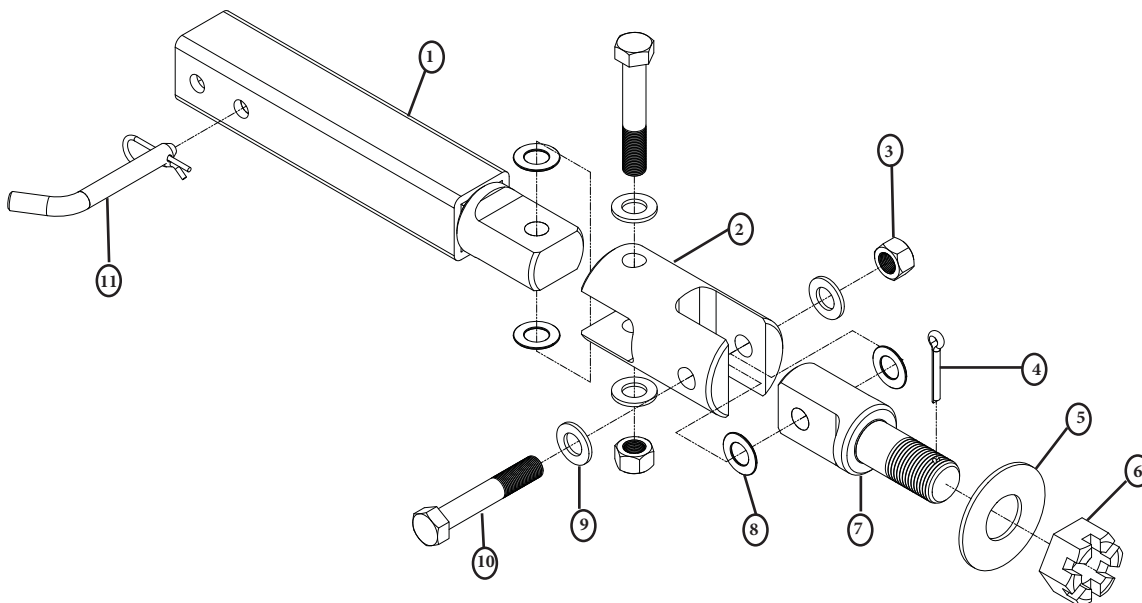
Strong As An Ox™

Installation Instructions

BX88251

2 1/2" Receiver Adapter BX7520P

1. Remove the cotter pin (4) from the lunette ring.
2. Take off the castle nut (6).
3. Pull the lunette ring.
4. Slide the receiver adapter onto the tow bar.
5. Attach the castle nut (6).
6. Insert the cotter pin (4) through the yoke pivot (7).



Parts List

Ref. No.	Qty.	Part No.	Description
1	1	61-6801	WLDM'T, 2 1/2" RCVR TUBE, BX88251
2	1	207-0946	YOKE, 2 1/2" RCVR, BX88251
3	2	202-0193	3/4-16 HEX CENT. DIMP LOCK NUT, ZP
4	1	229-0202	COTTER PIN, 1/4 X 2-1/2
5	1	203-0086	1-1/2 FLAT WASHER
6	1	202-0191	1 1/2 INCH CASTLE NUT
7	1	207-0947	YOKE PIVOT, 2 1/2" RCVR, BX88251
8	4	290-0360	SPACER, PLAS, 1/16 X 13/16ID X 1.5
9	4	203-0064	3/4 SAE FLAT WASHER
10	2	201-0615	3/4-16 X 4 1/2 HEX BOLT, GRD. 5
11	1	200-1701	PIN, 5/8 X 4 EFF.,ZP,W/CLIP

Go RVing
Life's A Trip