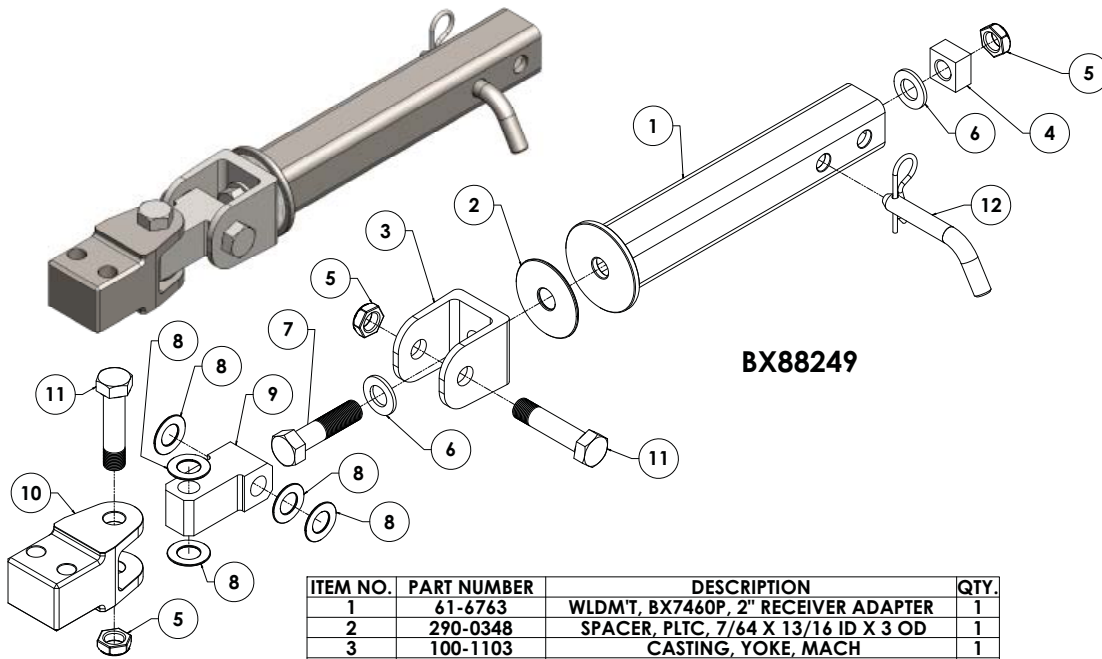




Installation Instructions
BX88249
Allure 2" Receiver Adapter

The installation instructions for the BX88249 2" receiver adapter are included with the Allure BX7460P instructions.

Parts List



ITEM NO.	PART NUMBER	DESCRIPTION	QTY.
1	61-6763	WLDMT, BX7460P, 2" RECEIVER ADAPTER	1
2	290-0348	SPACER, PLTC, 7/64 X 13/16 ID X 3 OD	1
3	100-1103	CASTING, YOKE, MACH	1
4	102-6374	INSERT, TOW BAR RCVR TUBE, THREADED	1
5	202-0152	3/4-16 HEX NUT W/ NYLON INS, ZP	3
6	203-0064	3/4 SAE FLAT WASHER	2
7	201-0632	3/4-16 X 3 HEX BOLT, GR5, ZP	1
8	290-0360	SPACER PLASTIC, 1/16 x 13/16 ID x 1-1/2 OD	5
9	100-1104	CASTING, SWIVEL LUG, MACHINED	1
10	102-7202	LUG, RECEIVER TUBE ADAPTER TO TOW BAR	1
11	201-0644	3/4-16 X 3-1/4 HX BLT, ZP, SHRT THRD	2
12	200-1483	PIN, Ø 5/8" 3" EFF., W / CLIP	1

