



BX88207 & BX88208 Permanent Baseplate Safety Cables Installation Instructions

Permanent Baseplate Safety Cable Kit

Permanent baseplate safety cables are strongly recommended when towing a vehicle with a tow bar. The principle function of the permanent baseplate safety cables is to prevent the towed vehicle from breaking loose in the event the connection between the frame of the towed vehicle and the baseplate fails or becomes disconnected. The cables must be connected from the baseplate to the frame rail or cross member of the vehicle's frame. The illustrations below show the possible arrangements recommended by Blue Ox®. Each permanent baseplate safety cable must have an adequate weight rating for the towing system. The weight rating of the two (2) cables together will not qualify.

To Install Permanent Baseplate Safety Cables

Option 1 - Models that are equipped with convenience links: Attach two (2) quicklinks to the convenience link on the baseplate cross member. Attach the opposite end of the permanent baseplate safety cable to the towed vehicle's frame rail or the cross member of the vehicle's frame utilizing the additional quicklink if necessary. One (1) baseplate safety cable should be installed on each side of the baseplate.

Option 2 - Models not equipped with convenience links: Wrap the permanent baseplate safety cable around the baseplate cross member and attach with the quicklink. Attach the opposite end of the permanent baseplate safety cable to the towed vehicle's frame rail or cross member of the vehicle's frame utilizing the additional quicklink if necessary. One (1) baseplate safety cable should be installed on each side of the baseplate.

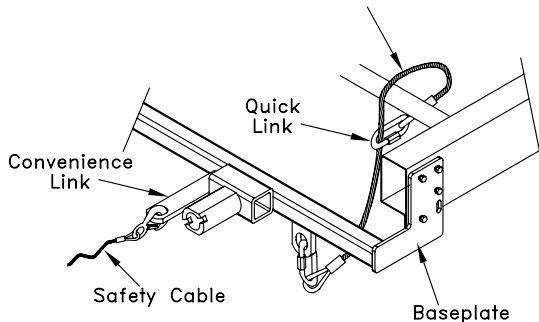
Do not mount the permanent baseplate safety cables against wires, hoses or brake lines.

These permanent baseplate safety cables should remain installed as long as the baseplate is installed on the vehicle. Permanent baseplate safety cables are to be used in conjunction with, and NOT a replacement for legally required safety cables attaching the towed vehicle to the towing vehicle.

Do this on both sides of the baseplate!

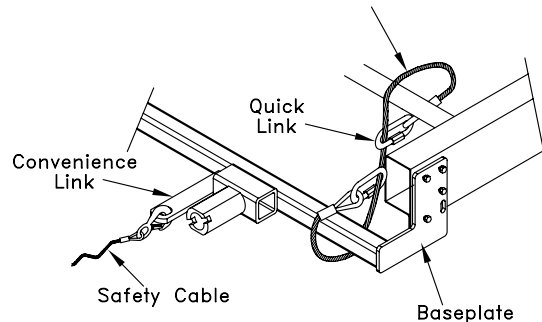
OPTION #1

Permanent Baseplate Safety Cables
to Cross Member or
Frame of Towed Vehicle.



OPTION #2

Permanent Baseplate Safety Cables
to Cross Member or
Frame of Towed Vehicle.





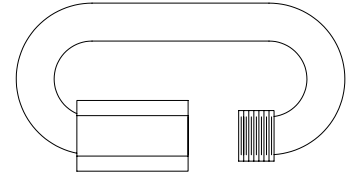
BX88207 & BX88208

Permanent Baseplate Safety Cables Installation Instructions

DO NOT USE DAMAGED PERMANENT BASEPLATE SAFETY CABLES.

Quicklink

1. To open the quicklink turn the fastener of the quick link counter clockwise.
2. Attach the quick link to the convenience link on the baseplate (if provided see option #1) or affix to baseplate (see option #2).
3. To close the quick link turn the fastener of the quick link clockwise to securely fasten the permanent baseplate safety cable.



PARTS LIST

Part Number	Description	Qty
BX88207 - Permanent Baseplate Safety Cables 3' Class III (5,000 lbs)		
226-0046.....	36" Class III Safety Cables	2
229-0359.....	3/8" Quicklink, ZP.....	4
BX88208 - Permanent Baseplate Safety Cables 3' Class IV (10,000 lbs)		
226-0049.....	36" Class IV Safety Cables.....	2
229-0512.....	1/2" Quicklink, ZP.....	4

WARNING

USE ONLY GENUINE FACTORY REPLACEMENT PARTS.

Do **NOT** substitute homemade or non-typical parts. This may cause your safety cables to fail and result in injury or death. If repairs of parts or components of your safety cables are needed please contact your Blue Ox® Dealer.

CUSTOMER SERVICE COMMITMENT

Blue Ox® is committed to providing you with exceptional customer care throughout your lifetime with our products. Our team is here to assist you with any questions you may have regarding the performance of your product.

Additionally, please visit our website to see which rallies our Destination America team will be attending. For a nominal fee, our service technician will service your towing system to ensure it's in proper working condition. Also, as a commitment to our customers, should you visit our factory, you can stay at our full service Blue Ox® campground at no charge along with enjoying a factory tour.

Again, thank you for being our customer and for the confidence you have shown in the performance of our products. It is because of customers like you we enjoy the success we have today.