

BLUE OX[®]

Safety Cables

Installation Instructions

Installation for Coiled Safety Cable Kit

Safety cables, chains, or equivalent devices are specifically required by state and federal law when towing a vehicle using a tow bar. The principal function of the safety cable is to prevent the towed vehicle from breaking loose in the event the tow bar fails or becomes disconnected. The cables must be connected vehicle to vehicle (**DO NOT** hook vehicle to tow bar). The two separate cables must be set in a crossing pattern so that, “if the tow bar fails or becomes disconnected, the tow bar will not drop to the ground”. The illustrations show the arrangement recommended by Blue Ox[®] to comply with the law.

Remember the Safety Cable Functions:

1. To prevent the vehicle from breaking loose.
2. To keep the tow bar from hitting the ground.
3. To restrain movement.
4. To minimize instability while bringing both vehicles to rest.

Attach the safety cables to some part of the chassis of each vehicle. Avoid using the hitch assembly or the tow bar, baseplate, or bracket.

This may not be convenient on modern unibody cars with no chassis in the traditional sense. In these cases, the suggested procedure in the illustration is best. (See Figure 2)

Figure 1

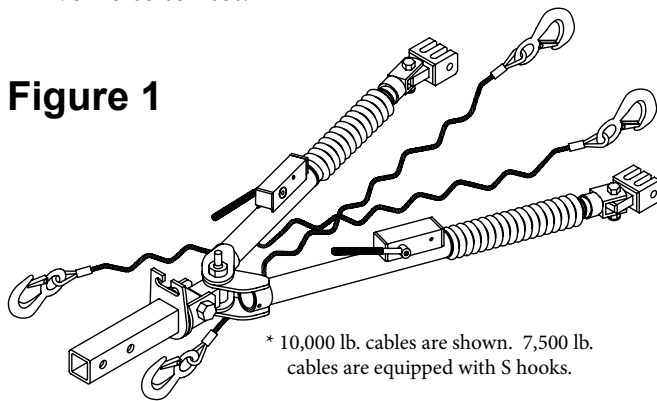
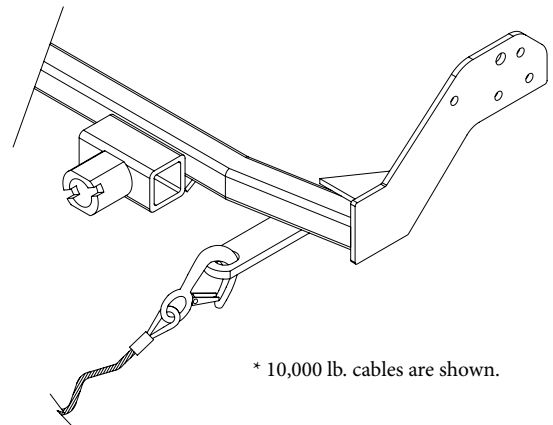


Figure 2



CONTENTS:

The contents of your package will contain a set of **ONE** of the following safety cables.

Part #	Qty.	Description
BX88196	2	7 ft. Coiled Safety Cables (7,500 lbs)
BX88197	2	7 ft Coiled Safety Cables (10,000 lbs)
150-0041	4 per pair	Rubber Keepers for Safety Cables

* Safety cables are sold in pairs.

WARNING:

USE ONLY GENUINE FACTORY REPLACEMENT PARTS.
Do **NOT** substitute homemade or non-typical parts. This may cause your safety cables to fail and result in injury or death.

Installing 7,500 lbs Cables

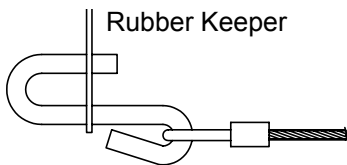
1. Using the cable hooks, attach the cables to a solid part of the chassis of the towed vehicle or to the baseplate convenience links on unibody cars. Slip the end of the hook through the neoprene keeper to prevent the hook from unhooking. (See Figure 3)

NOTE: It is best to have permanent chains that connect the convenience link to the frame of the car. (See Figure 2)

2. Adjust slack so that safety cables cannot touch the ground or become caught beneath the ball. If either of these situations happen, the cables may become damaged and ineffective. If you must wrap the safety cables to keep them from dragging, keep them clear of rubber boots and locking handles. Each safety cable must have an adequate weight rating for the towing system. The weight rating of the two cables together will not qualify.
3. Using the cable hooks, attach the opposite ends of the cables to a solid part of the chassis of the towing vehicle if at all possible. Make sure the end of the hook snaps through the convenience links to prevent the hook from unhooking. (See Figure 3)
4. Adjust slack so that the cables cannot touch the ground or become caught beneath the coupler area. If either of these things happen, the cables may become damaged and ineffective.
5. Do not wrap safety cables around legs or damage could occur to rubber boot. If it is necessary to remove slack from the cables, wrap each once around their respective tow bar leg in front of the latch housing and then cross them under tow bar.

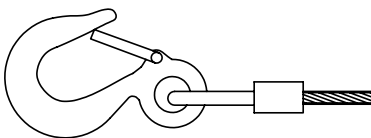
DO NOT USE DAMAGED SAFETY CABLES.

Figure 3



S-Hook Ultimate Limit 7,500 lbs.

Figure 4



Tow Hook WLL 1 1/2 tons x 5 = 7 1/2 tons or 15,000 lbs. Ultimate Limit (ASME B30.10-2005)

Installing 10,000 lbs Cables

1. Using the cable hooks, attach the cables to a solid part of the chassis of the towed vehicle or to the baseplate convenience links in unibody cars. Snap the hook through the convenience link to prevent the hook from unhooking. (See Figure 4)

NOTE: It is best to have permanent chains that connect the convenience link to the frame of the car. (See Figure 2)

2. Do not wrap safety cables around legs or damage could occur to rubber boot. If it is necessary to remove slack from the cables, wrap each once around their respective tow bar leg in front of the latch housing and then cross them under tow bar.
3. Using the cable hooks, attach the opposite ends of the cables to a solid part of the chassis of the towing vehicle if at all possible. Make sure the end of the hook snaps through the convenience links to prevent the hook from unhooking. (See Figure 4)
4. Adjust slack so that the cables cannot touch the ground or become caught beneath the coupler area. If either of these things happen, the cables may become damaged and ineffective.

DO NOT USE DAMAGED SAFETY CABLES.

BLUE OX[®]

Customer Service Commitment

Blue Ox[®] is focused on providing exemplary customer service, as observed in our mission statement and guiding principles. In accordance with this objective, Blue Ox[®] is proud to provide services such as repairs and general maintenance of Blue Ox[®] products at over 150 RV Rallies. Look for our Destination America or Blue Ox[®] Racing service crews at the next rally or race that you attend. If you were not present, you will find an informative, personalized note explaining any services that may have been performed to your Blue Ox[®] products.

Blue Ox[®] also offers educational seminars at rallies and through our Parks and Resort teams. In addition, Blue Ox[®] customers visiting our factory may take advantage of the well-equipped Blue Ox[®] RV park at no charge to you, our valued and appreciated customer.