

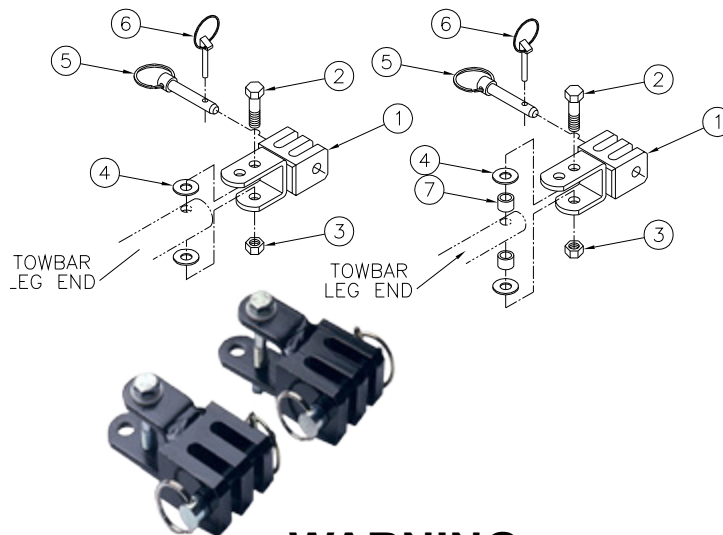
BLUE OX[®]

Triple Lug Kit BX88151

Installation Instructions

CONTENTS:

Ref No.	Qty.	Part #	Description
1	2	61-5381	Wldm't, Triple Lug Connector
2	2	201-0616	1/2-20 x 2 3/4 Hex Bolt, Grd. 5
3	2	202-0150	1/2-20 Nut, Hex Nyl Ins Lock,
4	4	290-0266	Nylon wa. 1.000 Od x .518 Id
5	2	229-0520	Pin, 1/2 x 2 5/8 Eff.
6	2	62-3213	Quick Pin Assembly
7	4	107-2754	Tube, 3/4 Od x .120W



WARNING:

USE ONLY GENUINE FACTORY REPLACEMENT PARTS.
Do NOT substitute homemade or non-typical parts. This may cause your triple lug kit to fail and result in injury or death.
If repairs of parts or components of your triple lug kit are needed, you may order them through your nearest Blue Ox[®] dealer or distributor, or call our 24/7 Customer Care Team.

Installation Instructions

1. Place triple lug connectors over the end of the tow bar arms.
2. Install triple lug connectors to the tow bar arms using the hex bolts, washers, and nuts.
3. To attach the tow bar to the baseplate, insert the triple lug connector into the attachment tab of the baseplate. Align the holes of the triple lug connectors with the holes of the attachment tabs, and pin in place using the Quick Pin Assemblies and Pins.