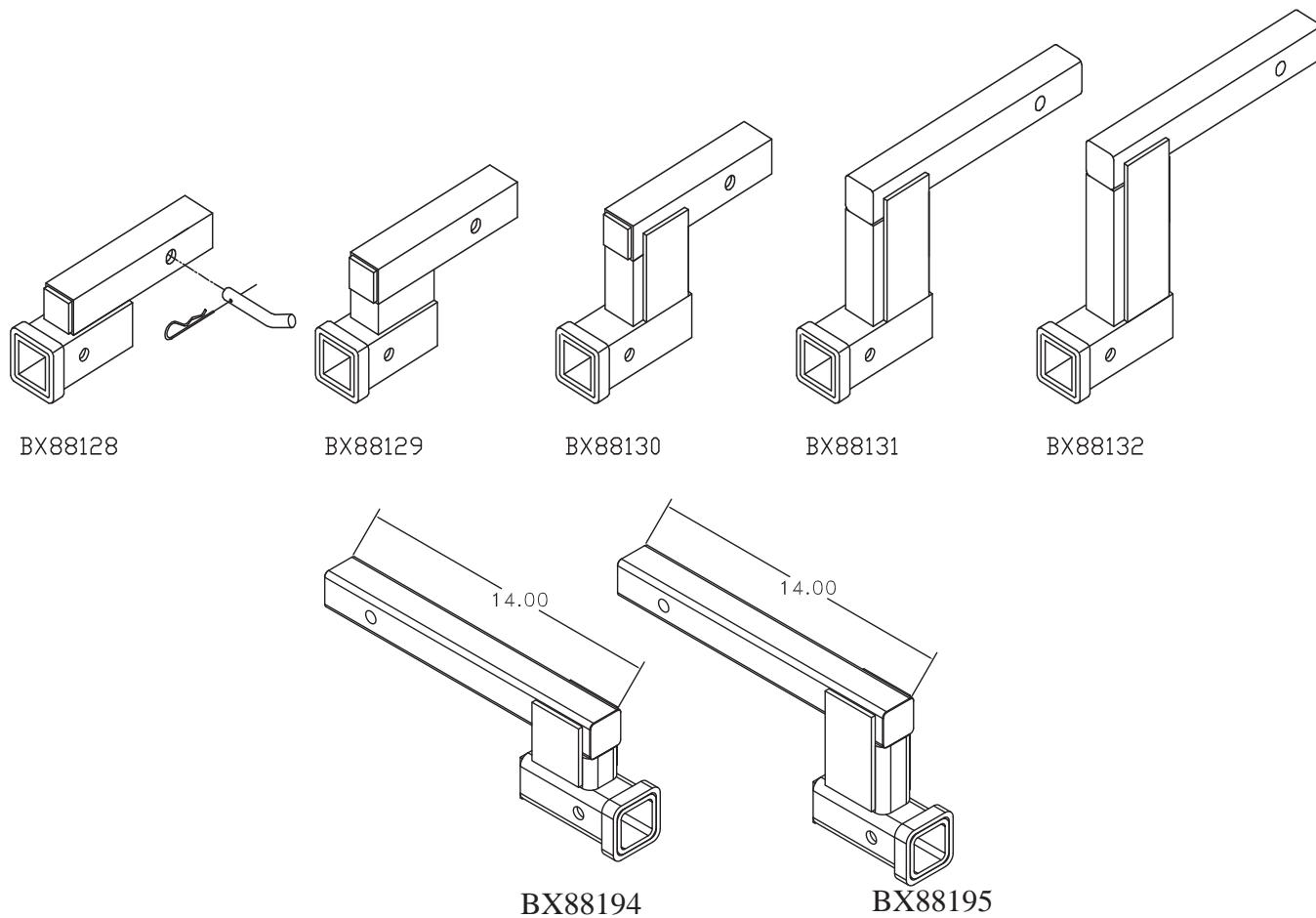




Installation Instructions
BX88128, BX88129, BX88130, BX88131, BX88132
BX88194 and BX88195

Drop Receiver towing capacity are rated for Class III (5,000 lbs.).

1. Slide the drop receiver into the receiver hitch, insert 5/8" pin through receiver, and insert clip into pin.



Parts List

Ref. No.	Qty.	Part No.	Description
1	1	61-5350	Weldment, 2 Inch Drop Receiver
2	1	61-5351	Weldment, 4 Inch Drop Receiver
3	1	61-5352	Weldment, 6 Inch Drop Receiver
4	1	61-5353	Weldment, 8 Inch Drop Receiver
5	1	61-5354	Weldment, 10 Inch Drop Receiver
6	1	200-1483	Pin, 5/8 x 3 Effective w/ Clip
7	1	61-5351-4	Weldment, 4 Inch Drop, + 4 IN LGT
8	1	61-5352-4	Weldment, 6 Inch Drop, + 4 IN LGT