



BX4330
Acclaim[®] Tow Bar
Operator Manual &
Installation Instructions



Acclaim[®] Tow Bar
(5,000 lb) 2 Inch Coupler

BX4330
Acclaim® Tow Bar
Operation Manual & Installation Instructions

General Information

DO NOT INSTALL, OPERATE OR USE THIS EQUIPMENT UNTIL THE FOLLOWING OPERATING AND SAFETY INSTRUCTIONS HAVE BEEN READ AND UNDERSTOOD.

1. Blue Ox tow bars should only be used with vehicles that are towable or have been equipped to be towed.
2. Follow towing procedures in the vehicle owners manual.
3. Tow with steering wheel in the unlocked position.
4. Be sure the front end of the towed vehicle is properly aligned. Misaligned vehicles may cause poor tracking or abnormal wear on the tires.
5. **The use of safety cables or chains are required by law in most states of the United States as well as Canadian territories and provinces. Follow state or territory recommendations. Blue Ox strongly recommends the use of safety cables (BX88196, Class III or BX88197, Class IV) and permanent safety cables (BX88207, Class III or BX88208, Class IV) with all applications of towing. Please refer to their specific installation instructions for more information.**
6. Check clearance between vehicles in all turning situations. Check the height difference in your towing set up and make appropriate adjustments by following the recommendations of the tow bar instruction manual.
7. Rear lighting is required on the towed car. Blue OX offers lighting kits to cover all of your lighting needs. Contact your Blue Ox representative for more information.
8. Prior to usage, inspect all towing equipment for cracked welds, missing or worn parts and loose bolts.
9. Disconnect the towed vehicle from the towing vehicle before backing up. **Do Not Back Up** while vehicles are connected! Damage to both vehicles and the towing system may occur. The towed vehicle may jackknife causing abnormal stress to the tow bar, car chassis, baseplate and/or pintle hitch of the towing vehicle. These abnormal stresses may cause damage that may go undetected.
10. Avoid sharp turns and rough terrain. Check towing set up after any emergency situation and/or periodically on a long trip.
11. **Do not use the towed vehicle for storing luggage, etc.; which may cause you to exceed the towing capacity of the tow bar, baseplate, and its accessories.**
12. **Ensure that your towing vehicle is of adequate size to properly control your towed vehicle. The weight and braking capacity should be large enough to handle both vehicles in an emergency situation. Check your towing vehicle manufacturers recommendations for towing, hitch load, and braking capacities. The hitch, ball, motorhome chassis, and safety cables (each individual cable) need to be rated at a minimum for the weight of the vehicle being towed.**
13. Dealer or installer be certain the user receives these instruction sheets.



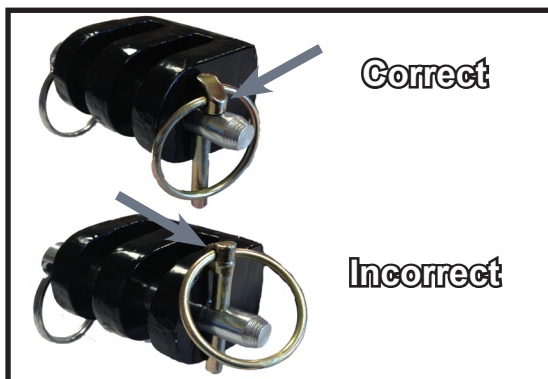
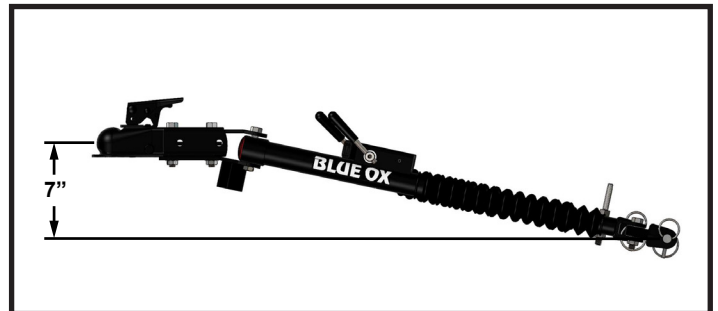
CAUTION: As with any mechanical product, care should be taken during installation and operation to prevent your fingers from being pinched.

BX4330
Acclaim® Tow Bar
Operation Manual & Installation Instructions
Hooking Up to Towed Vehicle

1. Position the towing vehicle on a level surface with a straight driveway ahead and engage the parking brake. Position the towed vehicle behind the towing vehicle in the approximate towing position.
2. Couple the tow bar to the 2" ball on the towing vehicle receiver hitch. Install the coupler pin or padlock thru the coupler lever to secure in place. If needed adjust the coupler to ensure the ball and the coupler ball clamp are making firm contact. (See Coupler Fit Adjustment on page 4)
3. Partially extend one leg. Place the triple lug between the attachment tabs on the baseplate, and secure with the 1/2" pin and quick pin. Be sure the 1/2" pin is installed **correctly** through the attachment tab with the nose towards middle of the baseplate. Repeat for both legs.
4. On the towed vehicle, disengage the parking brake and set up the transmission for towing and unlock the steering wheel. Pull forward with the towing vehicle until one or both of the locking handles are engaged and locked (When locked they will "pop" up). If only one locking handle is locked, turn the towed vehicle's steering wheel towards the unlocked tow bar leg approximately 1/2 to 3/4 turn, before continuing forward. Drive the towing vehicle forward until the second leg locks into place.

Note: The Acclaim® will only fit on baseplates with a tab width between 23" and 30"

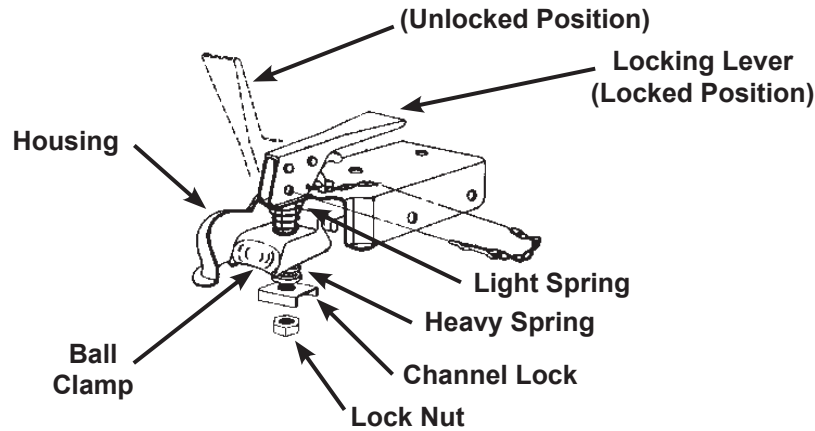
⚠ CAUTION: It is important that the tow bar coupler be parallel to the ground. The height from the center of the ball to the centerline of the attachment tabs should be approximately 7". If the tow bar coupler is at an angle, an accident or damage can occur. The use of a drop/rise receiver is recommended to ensure the coupler stays parallel to the ground.



IMPORTANT: Check to ensure both legs are latched properly and pins are secured properly before towing. When properly installed the quick pin ring will snap back onto itself, and the chamfered side will be facing outwards. The steering wheel on the towed vehicle must be unlocked at all times while being towed. Failure to do so will create hazardous driving conditions.

BX4330
Acclaim® Tow Bar
Operation Manual & Installation Instructions

Coupler Fit Adjustment



1. Using a 3/4" socket, tighten or loosen the lock nut until firm contact between the ball and ball clamp.
2. Periodically check the tension between the ball and coupler housing and tighten if needed.
3. Lightly grease the ball.

Safety Cable Installation

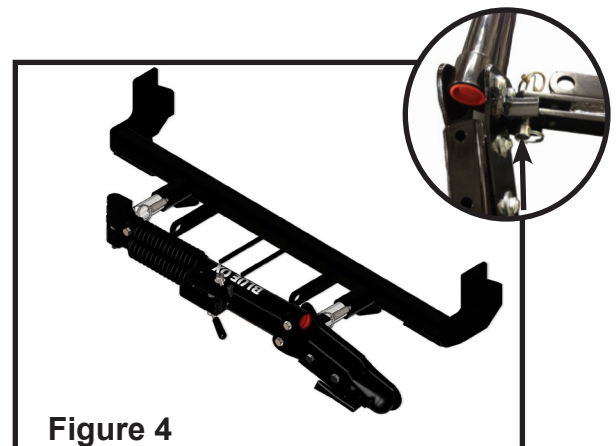
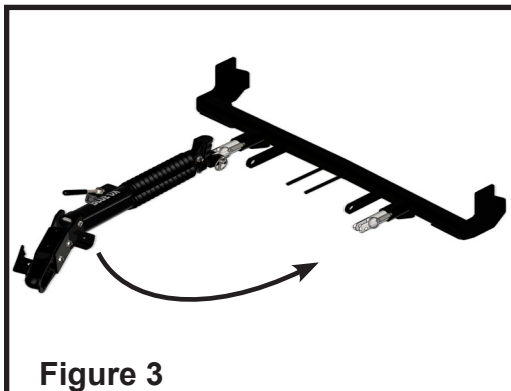
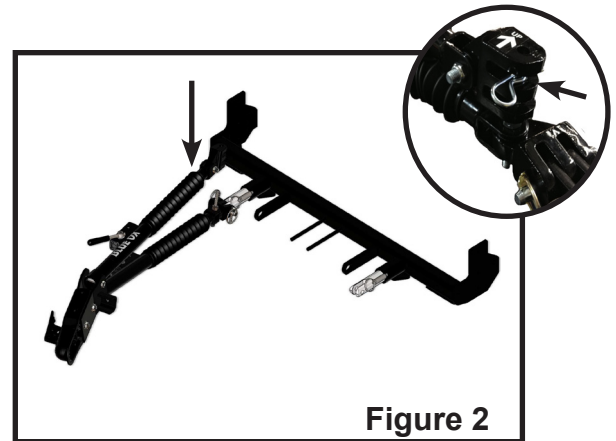
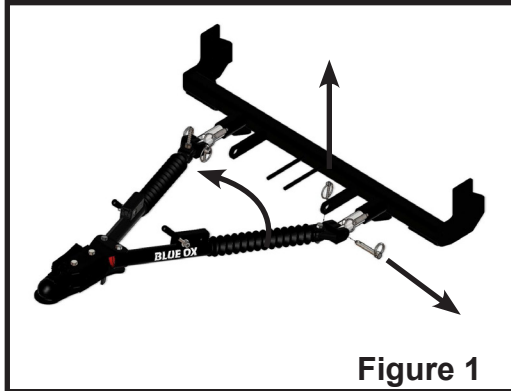
1. Utilizing the hooks, attach the cables to a solid part of the chassis on the towed vehicle or the convenience links of the baseplate. Verify the safety snap clicks back against the hook in order to prevent disconnection.
2. Adjust slack if needed. Cables should not come in contact with the ground, pintle coupler or the locking handles; damage could occur! **DO NOT USE DAMAGED CABLES!** Route cables away from the locking handles. Safety cable contact with a locking handle could cause the leg to become unlatched and collapse, leading to major damage to one or both vehicles and towing equipment. **DO NOT WRAP SAFETY CABLES AROUND THE LEGS!**
3. Verify the load capacity of cables or chains used that meets the needs of the towing set up.

BX4330
Acclaim® Tow Bar
Operation Manual & Installation Instructions

Unhooking / Tow Bar Storage Position

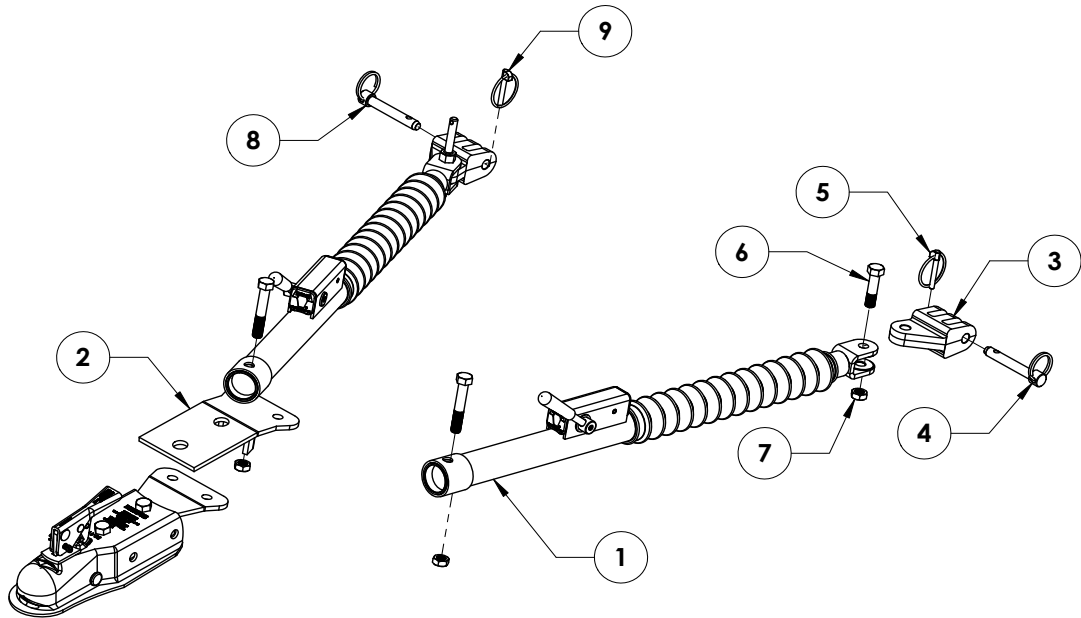
1. Park the towing vehicle with vehicle in tow, **in a straight line, on a level surface** to ensure minimum pressure is exerted on the tow bar legs. This will aid in the removal of the 1/2" pins. Engage the towing vehicle parking brake. Place the towed vehicle either in park for automatic transmissions or securely in first gear for manual transmissions. Unhook the lighting and safety cables.
2. Disengage the leg latches by pushing down on the locking handles. Uncouple the tow bar from the receiver ball. On the driver side, remove the quick pin and 1/2" pin attaching the triple lug to the attachment tab. You may need to tap the 1/2" pin out if there is still pressure on it. Rotate the driver side leg over onto the passenger side leg (Figure 1).
3. Align the driver side triple lug onto the holding pin of the passenger side leg. Secure the lug to the pin with the provided hair pin clip (Figure 2).
4. Swing the coupler head towards the driver side attachment tab of the baseplate (Figure 3).
5. Attach the coupler head bracket to the baseplate attachment tab with the 1/2" pin and quick pin (Figure 4).

Note: The Acclaim® will only store on baseplates with tab widths of 23" to 30"



BX4330
Acclaim® Tow Bar
Operation Manual & Installation Instructions

Replacement Parts



Item No.	Part No.	Description	Qty.
1.....	84-0055	Leg Assembly, Driver Side.....	1
2.....	84-0056	Leg Assembly, Passenger Side	1

BX88154 (Triple Lug Kit)

3.....	299-0736	Offset Triple Lug	2
4.....	229-0520	1/2" Pin	2
5.....	62-3213	Quick Pin	2
6.....	201-0645	1/2"-13 x 2" Hex Head Bolt.....	2
7.....	202-0143	1/2"-13 Essna Jam Nut, ZP	2

84-0140 (Pins w/Clips Kit)

8.....	229-0520	1/2" Pin	2
9.....	62-3213	Quick Pin	2

Additional Kits Available:

11.....	84-0089	Tow Bar Washer Replacement Kit.....	1
12.....	84-0102	Tow Bar Rubber Boot Kit	2
13.....	84-0178	Tow Bar Latch Handle Kit	2

Optional Drop Receivers

Part No.	Description
BX88128.....	2" Drop Receiver, 5000 Lb
BX88129.....	4" Drop Receiver, 5000 Lb
BX88130.....	6" Drop Receiver, 5000 Lb
BX88131.....	8" Drop Receiver, 5000 Lb
BX88132.....	10" Drop Receiver, 5000 Lb

Important:

Use only genuine factory replacement parts on your tow bar. Do **NOT** substitute homemade or non-typical parts. If a bolt is lost or in need of replacement, for your safety and the preservation of your tow bar, be sure to use a replacement bolt of the same grade (In most cases it will be Grade 5, please reference the parts list above). Replacement parts may be ordered through your nearest Blue Ox® Dealer or Distributor. Failing to follow and/or altering these installation instructions in either installation or required equipment will void the manufacturer's warranty.

BX4330
Acclaim® Tow Bar
Operation Manual & Installation Instructions

Tow Bar Maintenance

1. This tow bar requires periodic maintenance. It will be subjected to road dirt and weather during use. The following tips will help maintain the condition of your new tow bar.
2. Keep the tow bar covered when not in use, on or off of the towing vehicle. This will cut down on the dust and dirt build up on the legs and latches of the tow bar. A BX88156 tow bar cover is recommended.
3. Periodically clean the entire surface of the tow bar with a mild soap and water solution. Wipe dry with a clean cloth.
4. Check and replace any loose, worn or damaged bolts, rubber boots or cap plugs.
5. Check for cracked welds and loose bolts on the baseplate of the towed vehicle and the hitch on the towing vehicle.

Lubrication

1. Approximately once per year or if it is difficult to move the legs in and out you should remove the small cable ties holding the rubber boots on the legs and slide the boots back. Wipe clean each inside leg and apply a light coat of multipurpose grease to insure smooth operation. Secure each boot back in place with an 8" nylon cable tie.

